

## Technical Description



# FibeAir<sup>®</sup> IP-20E

April 2019 | Rev A

CeraOS: 10.7

© Copyright 2019 by Ceragon Networks Ltd. All rights reserved.



## Notice

This document contains information that is proprietary to Ceragon Networks Ltd. No part of this publication may be reproduced, modified, or distributed without prior written authorization of Ceragon Networks Ltd. This document is provided as is, without warranty of any kind.

## Trademarks

Ceragon Networks®, FibeAir® and CeraView® are trademarks of Ceragon Networks Ltd., registered in the United States and other countries.

Ceragon® is a trademark of Ceragon Networks Ltd., registered in various countries.

CeraMap™, PolyView™, EncryptAir™, ConfigAir™, CeraMon™, EtherAir™, CeraBuild™, CeraWeb™, and QuickAir™, are trademarks of Ceragon Networks Ltd.

Other names mentioned in this publication are owned by their respective holders.

## Statement of Conditions

The information contained in this document is subject to change without notice. Ceragon Networks Ltd. shall not be liable for errors contained herein or for damage in connection with the furnishing, performance, or use of this document or equipment supplied with it.

## Open Source Statement

The Product may use open source software, among them O/S software released under the GPL or GPL alike license ("Open Source License"). Inasmuch that such software is being used, it is released under the Open Source License, accordingly. The complete list of the software being used in this product including their respective license and the aforementioned public available changes is accessible at:

Network element site: <ftp://ne-open-source.license-system.com>

NMS site: <ftp://nms-open-source.license-system.com/>

## Information to User

Any changes or modifications of equipment not expressly approved by the manufacturer could void the user's authority to operate the equipment and the warranty for such equipment.

## Intended Use/Limitation

Fixed point-to-point radio links for private networks.

## Authorized to Use

Only entities with individual authorization from the National Regulator to operate the mentioned radio equipment.

The equipment can be used in the following EU countries:

Austria (AT) - Belgium (BE) - Bulgaria (BG) - Switzerland/Liechtenstein (CH) - Cyprus (CY) - Czech Republic (CZ) - Germany (DE) - Denmark (DK) - Estonia (EE) - Finland (FI) - France (FR) - Greece (GR) - Hungary (HU) - Ireland (IE) - Iceland (IS) - Italy (IT) - Lithuania (LT) - Luxembourg (LU) - Latvia (LV) - Malta (MT) - Netherlands (NL) - Norway (NO) - Portugal (PT) - Romania (RO) - Sweden (SE) - Slovenia (SI) - Slovak Republic (SK) - United Kingdom (UK) - Spain (SP) - Poland (PL)

## Table of Contents

<b>1. Synonyms and Acronyms .....</b>	<b>13</b>
<b>2. Introduction.....</b>	<b>16</b>
2.1 Product Overview .....	17
2.2 FibeAir IP-20E Interoperability with other Ceragon Products .....	19
2.3 System Configurations .....	20
2.3.1 1+0 – Direct Mount .....	20
2.3.2 1+0 – Low Visual Impact .....	21
2.3.3 1+1 Direct Mount .....	22
2.3.4 2+0 Direct Mount Single and Dual Polarization .....	23
2.4 New Features in CeraOS 10.7 .....	24
<b>3. IP-20E Hardware Description .....</b>	<b>25</b>
3.1 IP-20E Unit Description .....	26
3.2 Hardware Architecture .....	27
3.3 IP-20E Interfaces .....	29
3.3.1 IP-20E Interfaces – ESE.....	31
3.3.2 IP-20E Interfaces – ESS.....	32
3.3.3 IP-20E Interfaces – ESP .....	33
3.3.4 Common IP-20E Interfaces .....	34
3.4 PoE Injector.....	35
3.4.1 PoE Injector Interfaces.....	35
3.5 Voltage Alarm Thresholds and PMs.....	36
<b>4. Activation Keys .....</b>	<b>37</b>
4.1 Working with Activation Keys .....	38
4.2 Demo Mode .....	38
4.3 Activation Key Reclaim.....	38
4.4 Activation Key-Enabled Features .....	39
<b>5. Feature Description.....</b>	<b>43</b>
5.1 Innovative Techniques to Boost Capacity and Reduce Latency .....	44
5.1.1 Capacity Summary .....	45
5.1.2 Header De-Duplication.....	46
5.1.3 Frame Cut-Through .....	49
5.1.4 Adaptive Coding Modulation (ACM) .....	51
5.1.5 Multiband (Enhanced Multi-Carrier ABC) .....	55
5.1.5.1 Multiband Antenna .....	55
5.1.5.2 Multiband Operation .....	55
5.1.5.3 Synchronization with Multiband Operation .....	57
5.1.5.4 Multiband Management .....	58
5.1.5.5 Limitations and Interoperability of Multiband with other Features.....	58
5.1.6 External Protection .....	59

- 5.1.7 ATPC ..... 61
- 5.1.8 Radio Signal Quality PMs ..... 62
- 5.1.9 Radio Utilization PMs ..... 63
- 5.2 Ethernet Features ..... 64
  - 5.2.1 Ethernet Services Overview ..... 65
  - 5.2.2 IP-20E’s Ethernet Capabilities ..... 80
  - 5.2.3 Supported Standards ..... 81
  - 5.2.4 Ethernet Service Model ..... 82
  - 5.2.5 Ethernet Interfaces ..... 99
  - 5.2.6 Quality of Service (QoS) ..... 109
  - 5.2.7 Global Switch Configuration ..... 138
  - 5.2.8 Automatic State Propagation and Link Loss Forwarding ..... 139
  - 5.2.9 Adaptive Bandwidth Notification (EOAM) ..... 141
  - 5.2.10 Network Resiliency ..... 142
  - 5.2.11 OAM ..... 148
- 5.3 Frequency Scanner ..... 152
- 5.4 Synchronization ..... 153
  - 5.4.1 IP-20E Synchronization Solution ..... 153
  - 5.4.2 Available Synchronization Interfaces ..... 154
  - 5.4.3 Synchronous Ethernet (SyncE) ..... 155
  - 5.4.4 IEEE-1588v2 PTP Optimized Transport ..... 155
  - 5.4.5 SSM Support and Loop Prevention ..... 162
- 6. FibeAir IP-20E Management ..... 164**
  - 6.1 Management Overview ..... 165
  - 6.2 Automatic Network Topology Discovery with LLDP Protocol ..... 166
  - 6.3 Management Communication Channels and Protocols ..... 167
  - 6.4 Web-Based Element Management System (Web EMS) ..... 169
  - 6.5 WiFi Management ..... 169
  - 6.6 Command Line Interface (CLI) ..... 170
  - 6.7 Configuration Management ..... 170
  - 6.8 Software Management ..... 171
    - 6.8.1 Backup Software Version ..... 171
  - 6.9 CeraPlan Service for Creating Pre-Defined Configuration Files ..... 172
  - 6.10 IPv6 Support ..... 173
  - 6.11 In-Band Management ..... 173
  - 6.12 Local Management ..... 173
  - 6.13 Alarms ..... 174
    - 6.13.1 Configurable BER Threshold for Alarms and Traps ..... 174
    - 6.13.2 RSL Threshold Alarm ..... 174
    - 6.13.3 Editing and Disabling Alarms and Events ..... 174
    - 6.13.4 Timeout for Trap Generation ..... 174
  - 6.14 NTP Support ..... 175

- 6.15 UTC Support .....175
- 6.16 System Security Features .....176
  - 6.16.1 Ceragon’s Layered Security Concept.....176
  - 6.16.2 Defenses in Management Communication Channels .....177
  - 6.16.3 Defenses in User and System Authentication Procedures.....178
  - 6.16.4 Secure Communication Channels .....180
  - 6.16.5 Security Log.....182
- 7. Standards and Certifications..... 185**
- 7.1 Supported Ethernet Standards .....186
- 7.2 MEF Certifications for Ethernet Services .....187
- 8. Specifications..... 188**
- 8.1 General Radio Specifications .....189
- 8.2 Supported MPMC Scripts.....190
- 8.3 Radio Capacity Specifications .....191
  - 8.3.1 14 MHz – Script ID 4509.....191
  - 8.3.2 28 MHz – Script ID 4504.....191
  - 8.3.3 62.5 MHz – Script ID 4701.....192
  - 8.3.4 125 MHz – Script ID 4700.....192
  - 8.3.5 250 MHz – Script ID 4702.....193
  - 8.3.6 500 MHz – Script ID 4704.....193
- 8.4 Transmit Power Specifications.....194
  - 8.4.1 Standard TX Power.....194
  - 8.4.2 High TX Power.....194
- 8.5 Receiver Threshold Specifications (@BER 10<sup>-6</sup>) .....195
- 8.6 Mediation Device Losses.....196
- 8.7 Ethernet Latency Specifications.....196
- 8.8 Interface Specifications.....199
  - 8.8.1 Ethernet Interface Specifications.....199
  - 8.8.2 CSFP Specifications .....201
- 8.9 Carrier Ethernet Functionality .....202
- 8.10 Synchronization Functionality.....204
- 8.11 Network Management, Diagnostics, Status, and Alarms.....204
- 8.12 Mechanical Specifications.....205
- 8.13 Standards Compliance .....206
- 8.14 Environmental Specifications.....207
- 8.15 Antenna Specifications .....208
- 8.16 Integrated Antenna.....209
- 8.17 Power Input Specifications .....210
- 8.18 Power Consumption Specifications .....210
- 8.19 Power Connection Options .....211

8.20 PoE Injector Specifications.....	212
8.20.1 Power Input .....	212
8.20.2 Environmental.....	212
8.20.3 Standards Requirements.....	212
8.20.4 Mechanical.....	212
8.21 Cable Specifications .....	213
8.21.1 Outdoor Ethernet Cable Specifications.....	213
8.21.2 Outdoor DC Cable Specifications .....	214
<b>9. Appendix A – Marketing Model Construction.....</b>	<b>215</b>

## List of Figures

Figure 1: IP-20E 1+0 Direct Mount .....	20
Figure 2: Integrated 43dBi Antenna .....	21
Figure 3: IP-20E 1+1 Direct Mount .....	22
Figure 4: IP-20E 2+0 SP/DP Direct Mount .....	23
Figure 5: IP-20E Direct Mount HW Ready – Rear View (Left) and Front View (Right).....	26
Figure 6: Cable Gland Construction.....	26
Figure 7: IP-20E Block Diagram – ESE Hardware Model.....	27
Figure 8: IP-20E Block Diagram – ESS Hardware Model.....	27
Figure 9: IP-20E Block Diagram – ESP Hardware Model.....	28
Figure 10: IP-20E Interfaces – ESE.....	31
Figure 11: IP-20E Interfaces – ESS.....	32
Figure 12: IP-20E Interfaces – ESP.....	33
Figure 13: RSL Interface.....	34
Figure 14: Grounding Screw .....	34
Figure 15: PoE Injector .....	35
Figure 16: PoE Injector Ports.....	36
Figure 17: Header De-Duplication.....	46
Figure 18: Header De-Duplication Potential Throughput Savings per Layer.....	47
Figure 19: Propagation Delay with and without Frame Cut-Through .....	49
Figure 20: Frame Cut-Through .....	50
Figure 21: Frame Cut-Through .....	50
Figure 22: Adaptive Coding and Modulation with Ten Working Points .....	51
Figure 23: Multiband Operation.....	56
Figure 24: Multiband Cable for Use with CSFP Port.....	57
Figure 25: 1+1 HSB Protection .....	59
Figure 26: Internal and Local Management .....	60
Figure 27: Basic Ethernet Service Model.....	65
Figure 28: Ethernet Virtual Connection (EVC).....	66
Figure 29: Point to Point EVC .....	67
Figure 30: Multipoint to Multipoint EVC.....	67
Figure 31: Rooted Multipoint EVC.....	67
Figure 32: MEF Ethernet Services Definition Framework .....	69
Figure 33: E-Line Service Type Using Point-to-Point EVC.....	70
Figure 34: EPL Application Example .....	71
Figure 35: EVPL Application Example.....	72

Figure 36: E-LAN Service Type Using Multipoint-to-Multipoint EVC.....72

Figure 37: Adding a Site Using an E-Line Service.....73

Figure 38: Adding a Site Using an E-LAN Service.....73

Figure 39: MEF Ethernet Private LAN Example .....74

Figure 40: MEF Ethernet Virtual Private LAN Example.....75

Figure 41: E-Tree Service Type Using Rooted-Multipoint EVC.....75

Figure 42: E-Tree Service Type Using Multiple Roots.....76

Figure 43: MEF Ethernet Private Tree Example .....76

Figure 44: Ethernet Virtual Private Tree Example .....77

Figure 45: Mobile Backhaul Reference Model .....78

Figure 46: Packet Service Core Building Blocks .....78

Figure 47: IP-20E Services Model .....82

Figure 48: IP-20E Services Core .....83

Service Types Figure 49: IP-20E Services Flow .....84

Figure 50: Point-to-Point Service .....85

Figure 51: Multipoint Service .....86

Figure 52: Management Service .....88

Figure 53: Management Service and its Service Points .....90

Figure 54: SAPs and SNPs .....91

Figure 55: Pipe Service Points .....92

Figure 56: SAP, SNP and Pipe Service Points in a Microwave Network .....92

Figure 57: Service Path Relationship on Point-to-Point Service Path .....96

Figure 58: Physical and Logical Interfaces.....99

Figure 59: Grouped Interfaces as a Single Logical Interface on Ingress Side .....100

Figure 60: Grouped Interfaces as a Single Logical Interface on Egress Side .....100

Figure 61: Relationship of Logical Interfaces to the Switching Fabric.....104

Figure 62: QoS Block Diagram .....109

Figure 63: Standard QoS and H-QoS Comparison .....111

Figure 64: Hierarchical Classification .....112

Figure 65: Classification Method Priorities .....113

Figure 66: Ingress Policing Model .....117

Figure 67: IP-20E Queue Manager .....121

Figure 68: Synchronized Packet Loss.....122

Figure 69: Random Packet Loss with Increased Capacity Utilization Using WRED .....123

Figure 70: WRED Profile Curve .....124

Figure 71: Detailed H-QoS Diagram .....127

Figure 72: Scheduling Mechanism for a Single Service Bundle .....130



Figure 73: Network Topology with IP-20E Units and Third-Party Equipment.....141

Figure 74: ABN Entity .....141

Figure 75: G.8032 Ring in Idle (Normal) State.....143

Figure 76: G.8032 Ring in Protecting State .....144

Figure 77: Load Balancing Example in G.8032 Ring.....144

Figure 78: IP-20E End-to-End Service Management .....148

Figure 79: SOAM Maintenance Entities (Example) .....149

Figure 80: Ethernet Line Interface Loopback – Application Examples .....150

Figure 81: IEEE-1588v2 PTP Optimized Transport – General Architecture .....156

Figure 82: Calculating the Propagation Delay for PTP Packets .....156

Figure 83: Transparent Clock – General Architecture .....159

Figure 84: Transparent Clock Delay Compensation .....160

Figure 85: Boundary Clock – General Architecture .....161

Figure 86: Integrated IP-20E Management Tools.....165

Figure 87: Security Solution Architecture Concept .....176

Figure 88: CSFP Module .....201

Figure 89: CSFP Pinout Diagram .....201

## List of Tables

Table 1: IP-20E Antenna Mounting Kit .....	21
Table 2: New Features in CeraOS 10.7 .....	24
Table 3: IP-20E Port Distribution Per Hardware Model .....	29
Table 4: IP-20E Chassis Marketing Models.....	29
Table 5: Activation Key Types.....	39
Table 6: Capacity Activation Keys.....	41
Table 7: Edge CET Node Activation Keys .....	42
Table 8: Edge CET Note Upgrade Activation Keys .....	42
Table 9: ACM Working Points (Profiles) .....	51
Table 10: Multiband Antenna Marketing Model.....	55
Table 10: Multiband Cable for Use with CSFP Port .....	57
Table 11: MEF-Defined Ethernet Service Types .....	69
Table 12: Ethernet Services Learning and Forwarding.....	87
Table 13: Service Point Types per Service Type .....	93
Table 14: Service Point Types that can Co-Exist on the Same Interface .....	94
Table 15: Service Point Type-Attached Interface Type Combinations that can Co-Exist on the Same Interface .....	95
Table 16: C-VLAN 802.1 UP and CFI Default Mapping to CoS and Color .....	113
Table 17: S-VLAN 802.1 UP and DEI Default Mapping to CoS and Color.....	114
Table 19: MPLS EXP Default Mapping to CoS and Color .....	114
Table 18: DSCP Default Mapping to CoS and Color.....	115
Table 20: QoS Priority Profile Example .....	131
Table 21: WFQ Profile Example.....	133
Table 22: 802.1q UP Marking Table (C-VLAN).....	135
Table 23: 802.1ad UP Marking Table (S-VLAN) .....	136
Table 24: Summary and Comparison of Standard QoS and H-QoS.....	137
Table 25: Synchronization Interface Options .....	154
Table 26: Boundary Clock Input Options.....	161
Table 27: Boundary Clock Output Options.....	161
Table 28: Dedicated Management Ports.....	167
Table 29: Supported Ethernet Standards.....	186
Table 30: Supported MEF Specifications .....	187
Table 31: MEF Certifications .....	187
Table 32: Frequency Tuning Range: .....	189
Table 33: MRMC Scripts .....	190

Table 34: CSFP – SFP Compatibility Example.....	199
Table 35: SFP Module Recommendations.....	200
Table 36: CSFP Module Recommendations .....	200
Table 37: SFP Module Recommendations for Third Party Equipment.....	200
Table 38: Approved 10 GbE SFP+ Modules .....	200
Table 39: Integrated Antenna – Electrical Parameters .....	209
Table 40: IP-20E Marketing Model Examples.....	215

## About This Guide

This document describes the main features, components, and specifications of the FibeAir IP-20E system.

## Target Audience

This manual is intended for use by Ceragon customers, potential customers, and business partners. The purpose of this manual is to provide basic information about the FibeAir IP-20E for use in system planning, and determining which FibeAir IP-20E configuration is best suited for a specific network.

## Related Documents

- Release Notes for FibeAir IP-20 All-Outdoor Products, CeraOS 10.7
- User Guide for FibeAir IP-20 All-Outdoor Products, CeraOS 10.7
- FibeAir IP-20E Installation Guide
- FibeAir IP-20 Series MIB Reference

## 1. Synonyms and Acronyms

Acronym	Equivalent Term
ACAP	Adjacent Channel Alternate Polarization
ACCP	Adjacent Channel Co-Polarization
ACM	Adaptive Coding and Modulation
AES	Advanced Encryption Standard
AIS	Alarm Indication Signal
ATPC	Automatic Tx Power Control
BER	Bit Error Ratio
BPDU	Bridge Protocol Data Units
CBS	Committed Burst Size
CE	Customer Equipment
CET	Carrier-Ethernet Transport
CIR	Committed Information Rate
CLI	Command Line Interface
CoS	Class of Service
DA	Destination Address
DDM	Digital Diagnostic Monitoring
DSCP	Differentiated Service Code Point
EBS	Excess Burst Size
EFM	Ethernet in the First Mile
EIR	Excess Information Rate
EPL	Ethernet Private Line
ESE	Electrical SFP Electrical
ESP	Electrical SFP SFP+ 10G
ESS	Electrical SFP SFP
EVPL	Ethernet Virtual Private Line
EVC	Ethernet Virtual Connection
FM	Fault Management
FTP (SFTP)	File Transfer Protocol (Secured File Transfer Protocol)
GbE	Gigabit Ethernet
HTTP (HTTPS)	Hypertext Transfer Protocol (Secured HTTP)
LAN	Local area network

<b>Acronym</b>	<b>Equivalent Term</b>
LLF	Link Loss Forwarding
LOC	Loss of Carrier
LOF	Loss of Frame
LOS	Loss of Signal
LTE	Long-Term Evolution
MEN	Metro Ethernet Network
MPLS	Multiprotocol Label Switching
MRU	Maximum Receive Unit
MSE	Mean Square Error
MSTP	Multiple Spanning Tree Protocol
MTU	Maximum Transmit Capability
NMS	Network Management System
NSMA	National Spectrum Management Association
NTP	Network Time Protocol
OAM	Operation Administration & Maintenance (Protocols)
PDV	Packed Delay Variation
PIR	Peak Information Rate
PM	Performance Monitoring
PTP	Precision Timing-Protocol
QoE	Quality of-Experience
QoS	Quality of Service
RBAC	Role-Based Access Control
RDI	Remote Defect Indication
RMON	Ethernet Statistics
RSL	Received Signal Level
RSTP	Rapid Spanning Tree Protocol
SAP	Service Access Point
SFTP	Secure FTP
SLA	Service level agreements
SNMP	Simple Network Management Protocol
SNP	Service Network Point
SNTP	Simple Network Time Protocol
SP	Service Point

<b>Acronym</b>	<b>Equivalent Term</b>
STP	Spanning Tree Protocol
SSH	Secured Shell (Protocol)
SSM	Synchronization Status Messages
SyncE	Synchronous Ethernet
TOS	Type of Service
UNI	User Network Interface
UTC	Coordinated Universal Time
Web EMS	Web-Based Element Management System
WFQ	Weighted Fair Queue
WRED	Weighted Random Early Detection

## 2. Introduction

FibeAir IP-20E is a high-capacity, all-outdoor Ethernet backhaul system designed to operate in the E-Band frequency range. IP-20E provides up to 2.5 Gbps capacity over 14, 28, 62.5, 125, 250, and 500 MHz channels, with modulations of 2 - 1024<sup>1</sup> QAM and a rich feature set.

**This chapter includes:**

- Product Overview
- FibeAir IP-20E Interoperability with other Ceragon Products
- System Configurations
- New Features in CeraOS 10.7

---

<sup>1</sup> Certain modulations are only supported with specific channels. For details, see *Radio Capacity Specifications* on page 170.



## 2.1 Product Overview

FibeAir IP-20E is a compact and versatile high capacity backhaul Ethernet system which operates in the E-band (70-80 GHz). Its light weight and small footprint make it versatile for many different applications. Thanks to its small footprint, low power consumption, and simple installation, IP-20E can be installed in many different types of remote outdoor locations.

IP-20E operates over 14, 28, 62.5, 125, 250, and 500 MHz channels to deliver up to 2.5 Gbps of Ethernet throughput in several system configurations.

IP-20E can also be used in Multiband configurations with FibeAir IP-20C, FibeAir IP-20S, or third-party microwave radios to provide robust links of up to 2.5 Gbps. In a Multiband configuration, the very high availability of microwave effectively provides a backup for the high-capacity E-Band link, thus enabling operators to benefit simultaneously from the high capacity of E-Band and the high reliability of microwave.

For mobile and other wireless carriers, FibeAir IP-20E supports a diverse set of features that is optimally suited for a variety of deployment scenarios, including:

- Macro site backhaul
- Macro site aggregation
- Ultra-high capacity to POP
- Small cell backhaul

IP-20E is equipped with a feature set which has become standard practice in deployment of carrier grade networks, including:

- Integrated Carrier Ethernet services switch, MEF CE 2.0 compliant
  - Rich packet processing feature set for support of engineered end-to-end Carrier Ethernet services with strict SLA.
  - High precision, flexible packet synchronization solution combining SyncE and 1588v2.
- ACM – Adaptive Coding and Modulation: Hitless transmission between modulation steps (2-1024 QAM<sup>2</sup>) to increase link survivability and provide seamless capacity increases of up to 2.5Gbps.
- Header De-Duplication – enables to achieve high capacity with narrower channels and lower modulations to increase system.
- In-band and out-of-band management options.
- Network Management – Full suite of secured network management capabilities within IP-20E and seamless connection to Ceragon's Network Management System (NMS) applications for secure remote management.
- Electrical and optical GbE interfaces.
- Ceragon-approved PoE.

---

<sup>2</sup> Certain modulations are only supported with specific channels. For details, see *Radio Capacity Specifications* on page 170.

- Direct mount to antennas up to 2ft or low visual impact options with an integrated antenna, including an option for an ETSI Class 3 antenna

## 2.2 FibeAir IP-20E Interoperability with other Ceragon Products

FibeAir IP-20E is interoperable with RFU-E used in IP-20F, IP-20N, and IP-20A links.

**Note:** For specific software version requirements, refer to the Release Notes for the version you are using.

## 2.3 System Configurations

FibeAir IP-20E is designed to support the following site configurations:

- 1+0
- 2+0 (ACCP, ACAP)
- 1+1 HSB<sup>3</sup>

### 2.3.1 1+0 – Direct Mount

The following figure illustrates a 1+0 direct mount configuration. In a direct mount installation, the IP-20E is directly mounted on the antenna, without the use of flexible waveguides.

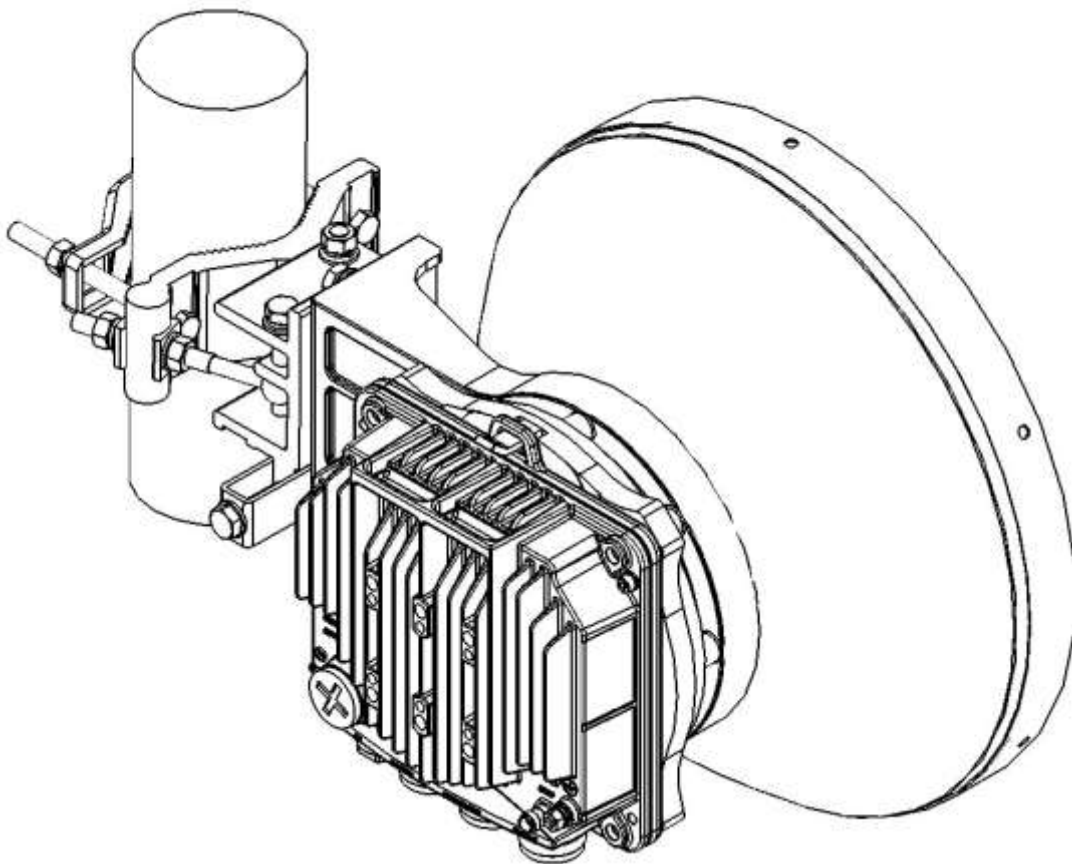


Figure 1: IP-20E 1+0 Direct Mount

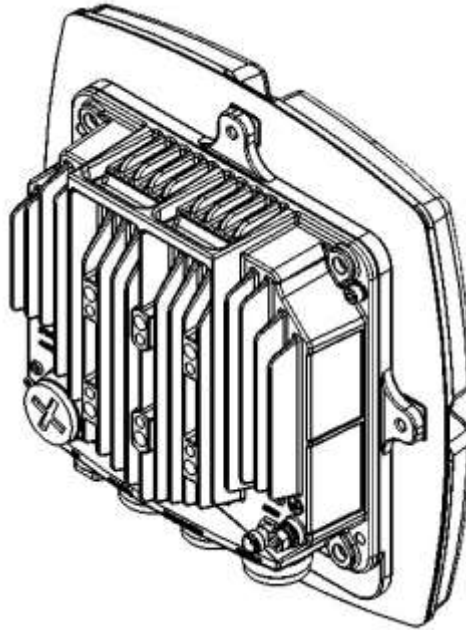
---

<sup>3</sup> Support for 1+1 HSB is planned for future release.

### 2.3.2 1+0 – Low Visual Impact

The following figure illustrates a 1+0 Low Visual Impact configuration. In this configuration, the IP-20E is equipped with a 43dBi integrated antenna<sup>4</sup> to minimize its installation form-fit and enable it to blend into an urban environment.

**Note:** For this configuration, FibeAir IP-20E must be ordered together with the antenna mounting kit. See *Table 1*.



*Figure 2: Integrated 43dBi Antenna*

*Table 1: IP-20E Antenna Mounting Kit*

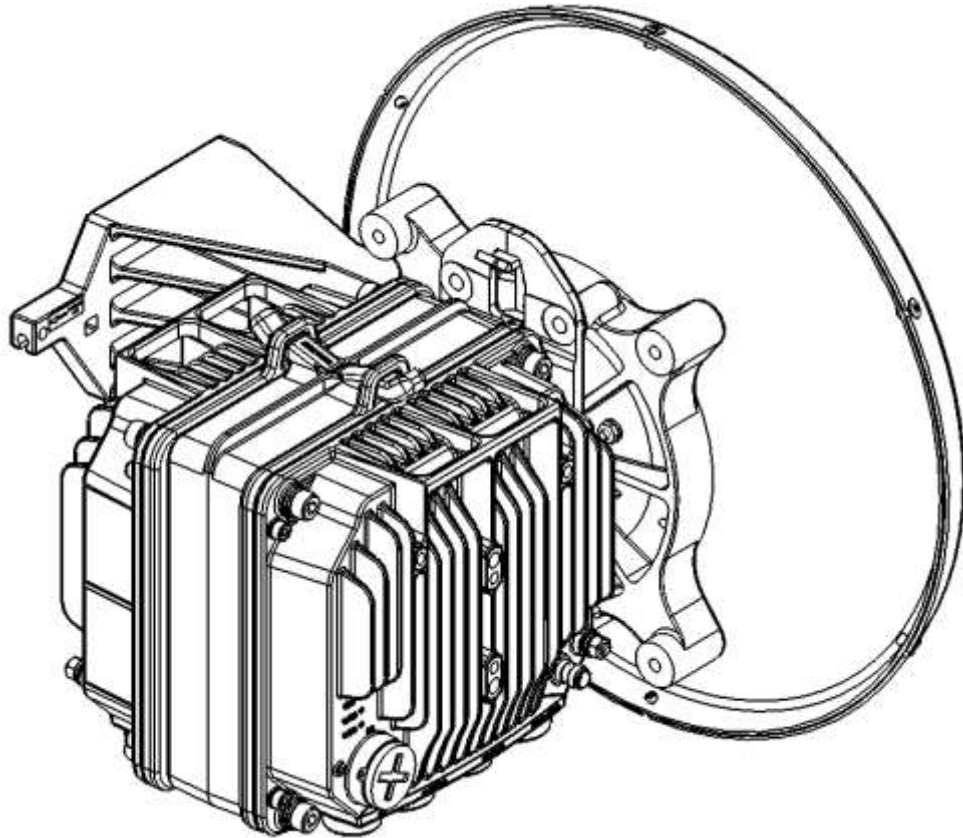
Marketing Model	Description
IP-20E_V_Flat_Ant_Mounting_Kit	IP-20E,IP20V Flat Ant. Mounting Kit

---

<sup>4</sup> This antenna is compliant with 2 ETSI EN 302 217-4 v2.1.1 (2017-05) CLASS 3 and FCC 47CFR101.115.

### 2.3.3 1+1 Direct Mount

The following figure illustrates a 1+1 Hot Standby (HSB) direct mount configuration. A coupler is used to combine the two IP-20E units and connect them to the antenna.

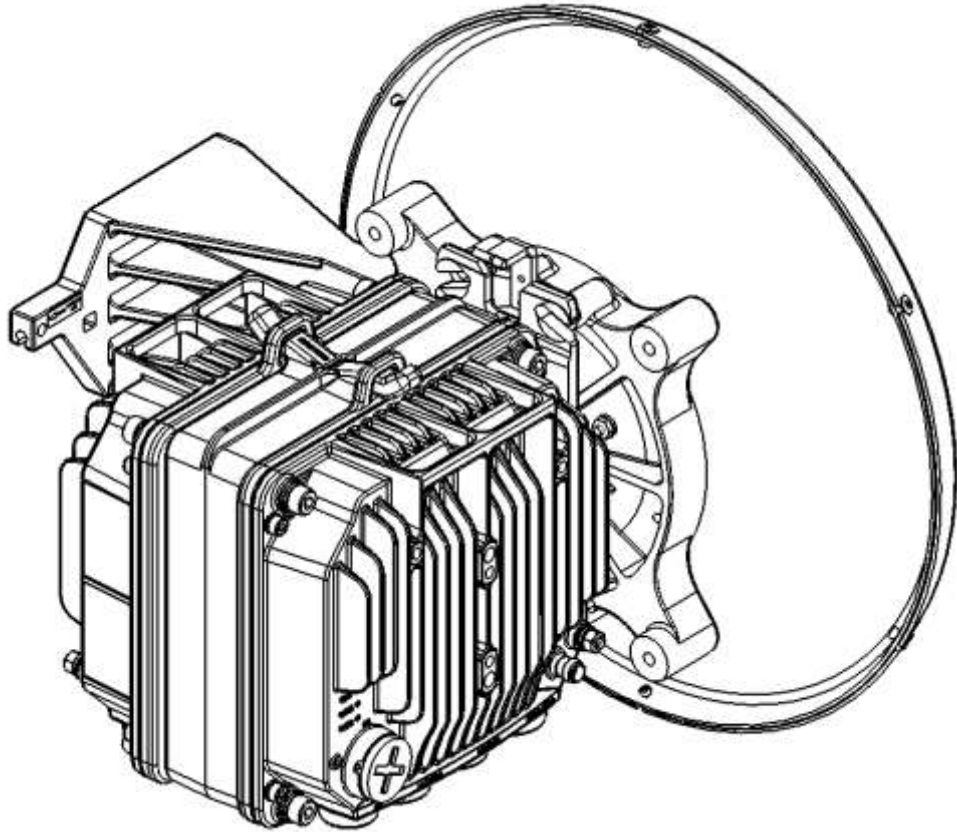


*Figure 3: IP-20E 1+1 Direct Mount*

**Note:** Support for HSB configurations is planned for future release.

### 2.3.4 2+0 Direct Mount Single and Dual Polarization

The following figure illustrates a 2+0 direct mount configuration. This configuration can be realized by using either a symmetrical coupler (splitter) resulting in 2+0 SP configuration or an OMT device resulting in a 2+0 DP configuration.



*Figure 4: IP-20E 2+0 SP/DP Direct Mount*

**Note:** Support for Co-Channel Dual Polarization (CCDP) 2+0 configurations is planned for future release.

## 2.4 New Features in CeraOS 10.7

The following table lists the features that have been added in CeraOS version 10.7, and indicates where further information can be found on the new features in this manual and where configuration instructions can be found in the User Manual.

*Table 2: New Features in CeraOS 10.7*

<b>Feature</b>	<b>Further Information</b>	<b>Configuration Instructions in the User's Guide</b>
Frequency Scanner	<i>Frequency Scanner</i> on page 152	Section 2.14, <i>Running the Frequency Scanner (IP-20E and IP-20V)</i>
1588 Transparent Clock with Multiband Configurations	<i>Multiband (Enhanced Multi-Carrier ABC)</i> on page 55	Section 3.4, <i>Configuring Multiband (Enhanced Multi-Carrier ABC)</i>
Web Support for Queue-Level PMs	<i>Egress PMs and Statistics</i> on page 133	Section 7.8, <i>Configuring and Displaying Queue-Level PMs</i>
Web EMS Support for Voltage PMs	<i>Voltage Alarm Thresholds and PMs</i> on page 36	Section 11.5, <i>Configuring Voltage Alarm Thresholds and Displaying Voltage PMs</i>
Web EMS Support for SFP DDM PMs	<i>SFP DDM and Inventory Monitoring</i> on page 151	Section 4.14.2, <i>Displaying PMs about an SFP Module</i>
Stricter HTTPS Cipher Hardening	<i>HTTPS (Hypertext Transfer Protocol Secure)</i> on page 181	Section 21.6, <i>Configuring HTTPS Cipher Hardening (CLI)</i>
Login Banner	n/a	Section 14.5, <i>Defining a Login Banner</i>



### 3. IP-20E Hardware Description

This chapter describes the IP-20E and its components and interfaces.

**This chapter includes:**

- IP-20E Unit Description
- IP-20E Interfaces
- PoE Injector
- Voltage Alarm Thresholds and PMs

### 3.1 IP-20E Unit Description

FibeAir IP-20E features an all-outdoor architecture consisting of a single unit, which can be either directly mounted on the antenna or supplied with an integrated antenna.

**Note:** The equipment is type approved and labeled according to EU Directive 1999/5/EC (R&TTE).

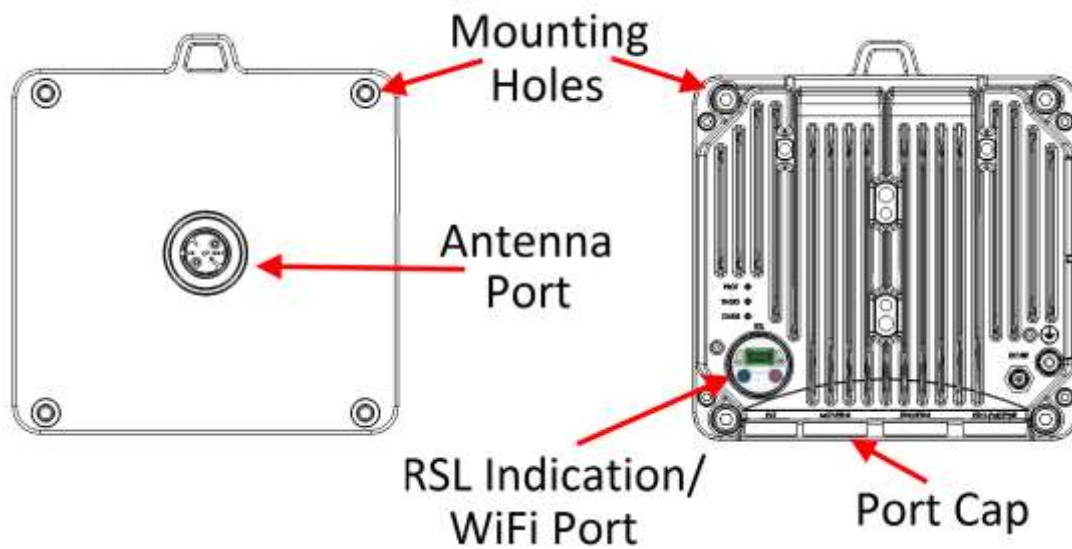


Figure 5: IP-20E Direct Mount HW Ready – Rear View (Left) and Front View (Right)

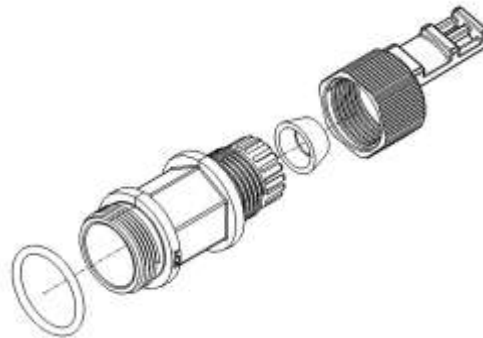


Figure 6: Cable Gland Construction

### 3.2 Hardware Architecture

The following are detailed block diagrams of the IP-20E, per hardware model.

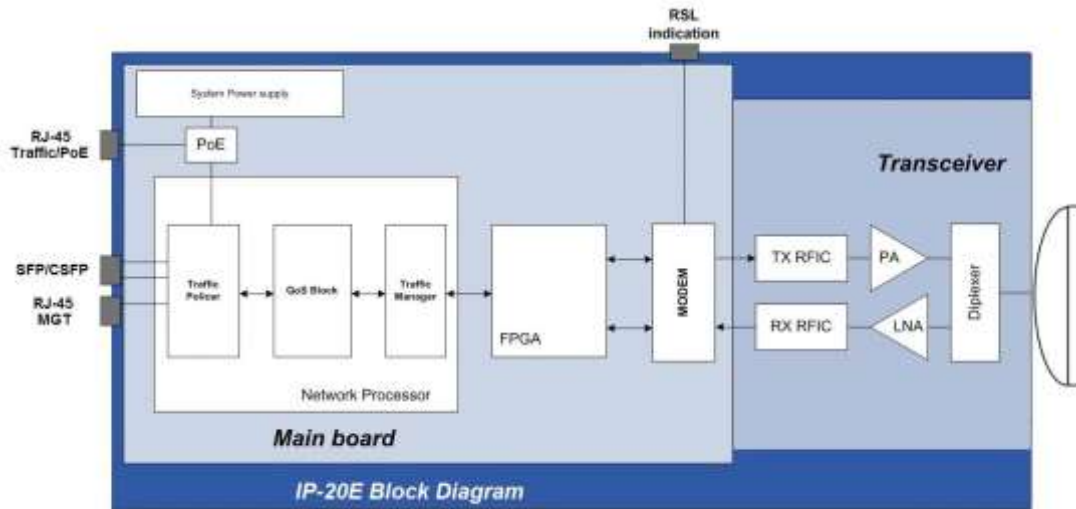


Figure 7: IP-20E Block Diagram – ESE Hardware Model

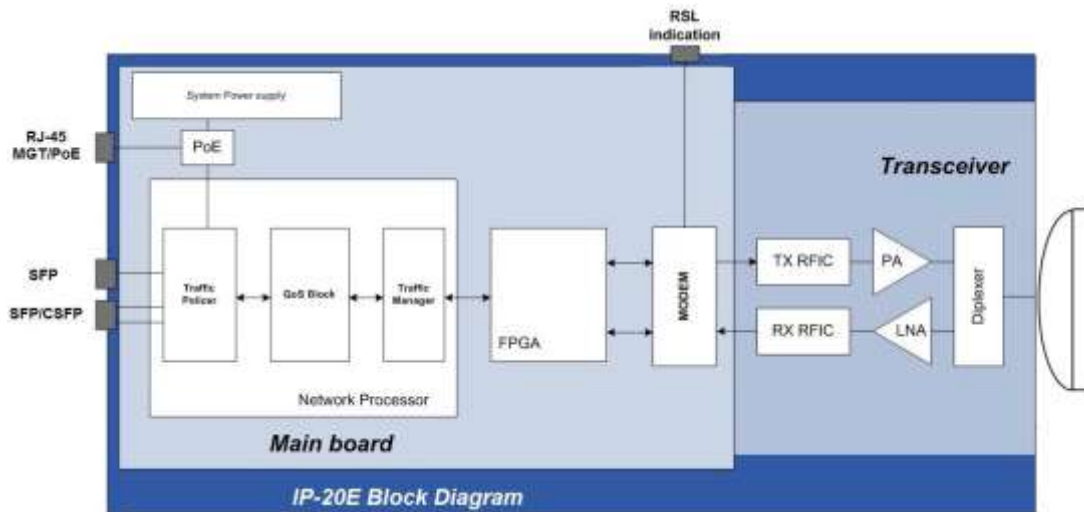


Figure 8: IP-20E Block Diagram – ESS Hardware Model

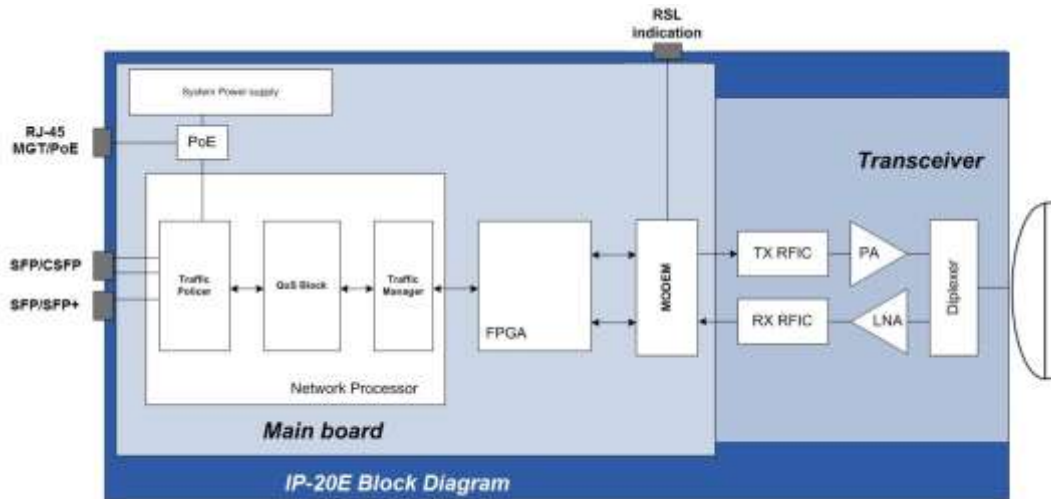


Figure 9: IP-20E Block Diagram – ESP Hardware Model

For a detailed description of the system interfaces, refer to *IP-20E Interfaces* on page 29.

### 3.3 IP-20E Interfaces

There are three basic IP-20E hardware versions with the following interface layouts:

- ESE – Two electrical Ethernet interfaces (Port 1 and Port 3) and one optical SFP cage that supports regular and CSFP standards (Port 2).
- ESS – One electrical Ethernet interface (Port 1), an optical SFP cage that supports the regular SFP standard (Port 2), and an optical SFP cage that supports regular and CSFP standards (Port 3).

**Note:** IP-20E ESS requires CeraOS 9.0 or higher.

- ESP – One electrical Ethernet interface for PoE and management (Port 1), an optical SFP cage that supports regular and CSFP standards (Port 2), and an optical SFP cage that can be configured for 1G or 10G (Port 3).

**Notes:** IP-20E ESP requires CeraOS 9.7 or higher.

The following table summarizes the port distribution in each of these variants, with more details on each provided in the following subsections.

*Table 3: IP-20E Port Distribution Per Hardware Model*

IP-20E Variant	Port 1	Port 2	Port 3
ESE	RJ-45: 10/100/1000BaseT 1Gb/s Ethernet Traffic (Eth1) + PoE	SFP cage: SFP, CSFP 1Gb/s Ethernet Traffic (Eth2 + Eth3)	RJ-45: 10/100/1000BaseT Local management only
ESS	RJ45: 10/100/1000BaseT Local management + PoE	SFP cage: SFP 1Gb/s Ethernet Traffic (Eth1)	SFP cage: SFP, CSFP 1Gb/s Ethernet Traffic (Eth2 + Eth3)
ESP	RJ45: 10/100/1000BaseT Local management + PoE	SFP cage: SFP, CSFP 1Gb/s Ethernet Traffic (Eth2 + Eth3)	SFP cage: SFP/SFP+ 1/10Gb/s Ethernet Traffic (Eth1)

The following table provides the marketing models for the IP-20E unit options. For a detailed description of the marketing model construction syntax, see *Appendix A – Marketing Model Construction* on page 215.

*Table 4: IP-20E Chassis Marketing Models*

Marketing Model	Description
IP-20E-R2-DX0H-L-ESE-43IA	IP-20E E-band, all outdoor, R2, High power, TX Low (TX 71-76GHz / RX 81-86GHz) ESE, integrated 43dBi antenna
IP-20E-R2-DX0H-L-ESE-43IA-C3-E	IP-20E E-band, all outdoor, R2, High power, TX Low (TX 71-76GHz / RX 81-86GHz) ESE, integrated Class 3 43dBi antenna
IP-20E-R2-DX0H-L-ESE	IP-20E E-band, all outdoor, R2, High power, TX Low (TX 71-76GHz / RX 81-86GHz) ESE
IP-20E-R2-DX0H-H-ESE-43IA	IP-20E E-band, all outdoor, R2, High power, TX High (TX 81-86GHz / RX 71-76GHz) ESE, integrated 43dBi antenna

Marketing Model	Description
IP-20E-R2-DX0H-H-ESE-43IA-C3-E	IP-20E E-band, all outdoor, R2, High power, TX High (TX 81-86GHz / RX 71-76GHz) ESE, integrated Class 3 43dBi antenna
IP-20E-R2-DX0H-H-ESE	IP-20E E-band, all outdoor, R2, High power, TX High (TX 81-86GHz / RX 71-76GHz) ESE
IP-20E-R2-DX0H-L-ESS-43IA	IP-20E E-band, all outdoor, R2, High power, TX Low (TX 71-76GHz / RX 81-86GHz) ESS, integrated 43dBi antenna
IP-20E-R2-DX0H-L-ESS-43IA-C3-E	IP-20E E-band, all outdoor, R2, High power, TX Low (TX 71-76GHz / RX 81-86GHz) ESS, integrated Class 3 43dBi antenna
IP-20E-R2-DX0H-L-ESS	IP-20E E-band, all outdoor, R2, High power, TX Low (TX 71-76GHz / RX 81-86GHz) ESS
IP-20E-R2-DX0H-H-ESS-43IA	IP-20E E-band, all outdoor, R2, High power, TX High (TX 81-86GHz / RX 71-76GHz) ESS, integrated 43dBi antenna
IP-20E-R2-DX0H-H-ESS-43IA-C3-E	IP-20E E-band, all outdoor, R2, High power, TX High (TX 81-86GHz / RX 71-76GHz) ESS, integrated Class 3 43dBi antenna
IP-20E-R2-DX0H-H-ESS	IP-20E E-band, all outdoor, R2, High power, TX High (TX 81-86GHz / RX 71-76GHz) ESS
IP-20E-R2-DX0H-L-ESP-43IA	IP-20E E-band, all outdoor, R2, High power, TX Low (TX 71-76GHz / RX 81-86GHz) 10GbE ESP, integrated 43dBi antenna
IP-20E-R2-DX0H-L-ESP-43IA-C3-E	IP-20E E-band, all outdoor, R2, High power, TX Low (TX 71-76GHz / RX 81-86GHz) 10GbE ESP, integrated Class 3 43dBi antenna
IP-20E-R2-DX0H-L-ESP	IP-20E E-band, all outdoor, R2, High power, TX Low (TX 71-76GHz / RX 81-86GHz) 10GbE ESP
IP-20E-R2-DX0H-H-ESP-43IA	IP-20E E-band, all outdoor, R2, High power, TX High (TX 81-86GHz / RX 71-76GHz) 10GbE ESP, integrated 43dBi antenna
IP-20E-R2-DX0H-H-ESP-43IA-C3-E	IP-20E E-band, all outdoor, R2, High power, TX High (TX 81-86GHz / RX 71-76GHz) 10GbE ESP, integrated Class 3 43dBi antenna
IP-20E-R2-DX0H-H-ESP	IP-20E E-band, all outdoor, R2, High power, TX High (TX 81-86GHz / RX 71-76GHz) 10GbE ESP
IP-20E-R2-DX0H-H-ESP-43IA-E-F	IP-20E E-band, all outdoor, R2, High power, 10GbE, (DX0H C&W) TX High (TX 81-86GHz / RX 71-76GHz) (MB EB-1270) ESP, integrated 43dBi ant ETSI C3, FCC
IP-20E-R2-DX0H-L-ESP-43IA-E-F	IP-20E E-band, all outdoor, R2, High power, 10GbE, (DX0H C&W) TX Low (TX 71-76GHz / RX 81-86GHz) (MB EB-1270) ESP, integrated 43dBi ant ETSI C3, FCC

### 3.3.1 IP-20E Interfaces – ESE

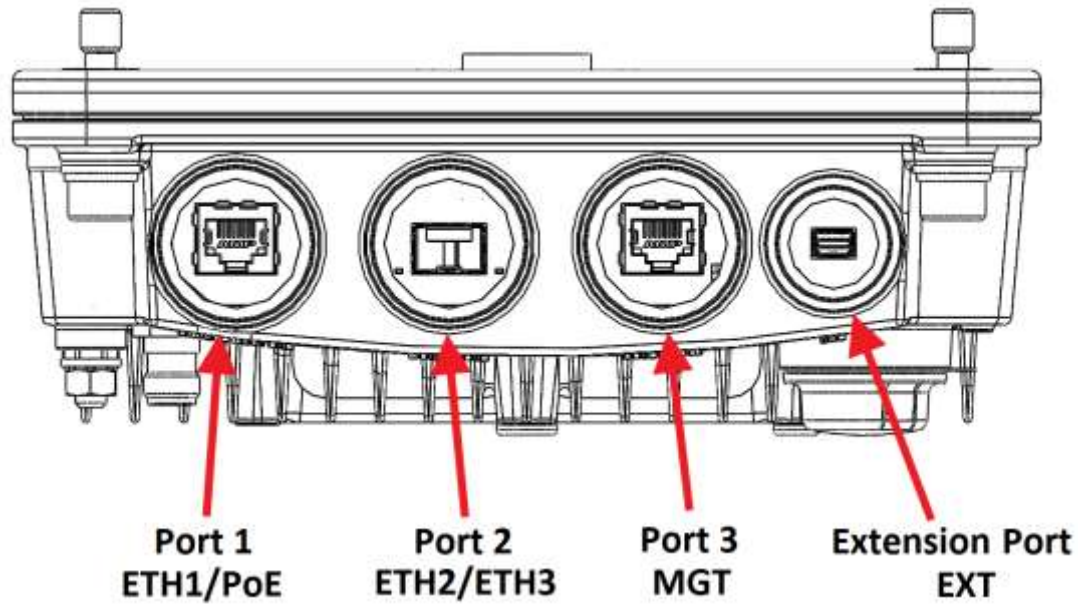


Figure 10: IP-20E Interfaces – ESE

- Port 1 (Eth1):
  - Electric: 10/100/1000Base-T RJ-45.
  - PoE
- Port 2
  - SFP cage which supports – Regular and CSFP standards
    - Regular SFP provides Eth2
    - CSFP (Dual BiDir SFP) provides Eth2 and Eth3
- Port 3 (MGT):
  - Electric: 10/100/1000Base-T RJ-45.
  - Management port (no traffic)
- Extension Port:
  - XPIC and HSB (planned for future release)
  - Direct connection to CPU by technician

### 3.3.2 IP-20E Interfaces – ESS

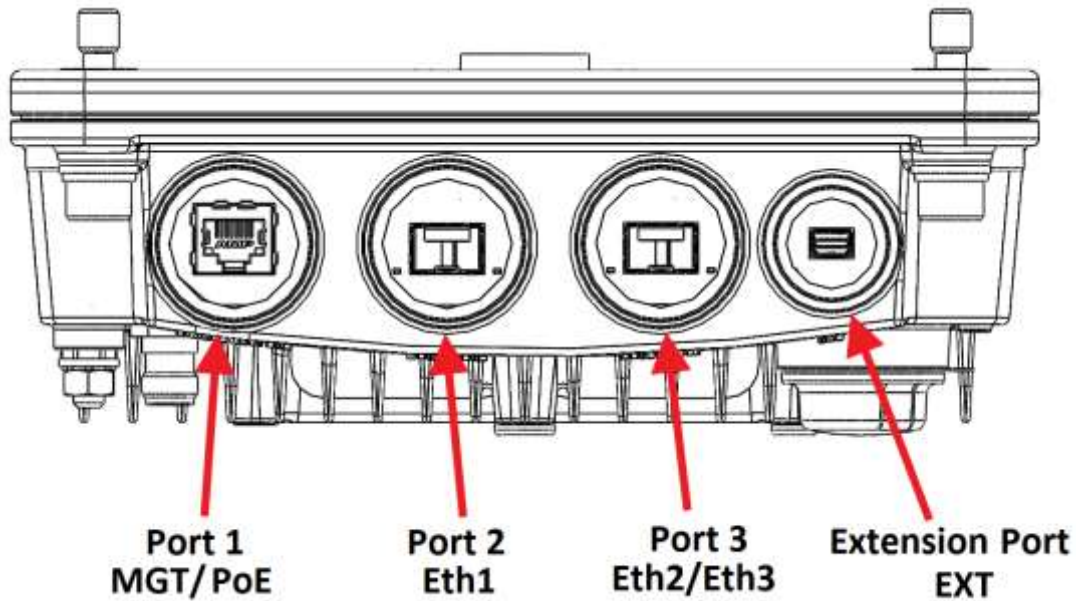


Figure 11: IP-20E Interfaces – ESS

- Port 1 (MGT):
  - Electric: 10/100/1000Base-T RJ-45.
  - PoE
  - Management port (no traffic)
- Port 2 (Eth1)
  - SFP cage which supports Regular SFP standard
- Port 3:
  - SFP cage which supports Regular and CSFP standards
    - Regular SFP provides Eth2
    - CSFP (Dual BiDir SFP) provides Eth2 and Eth3
- Extension Port:
  - XPIC and HSB (planned for future release)
  - Direct connection to CPU by technician



### 3.3.3 IP-20E Interfaces – ESP

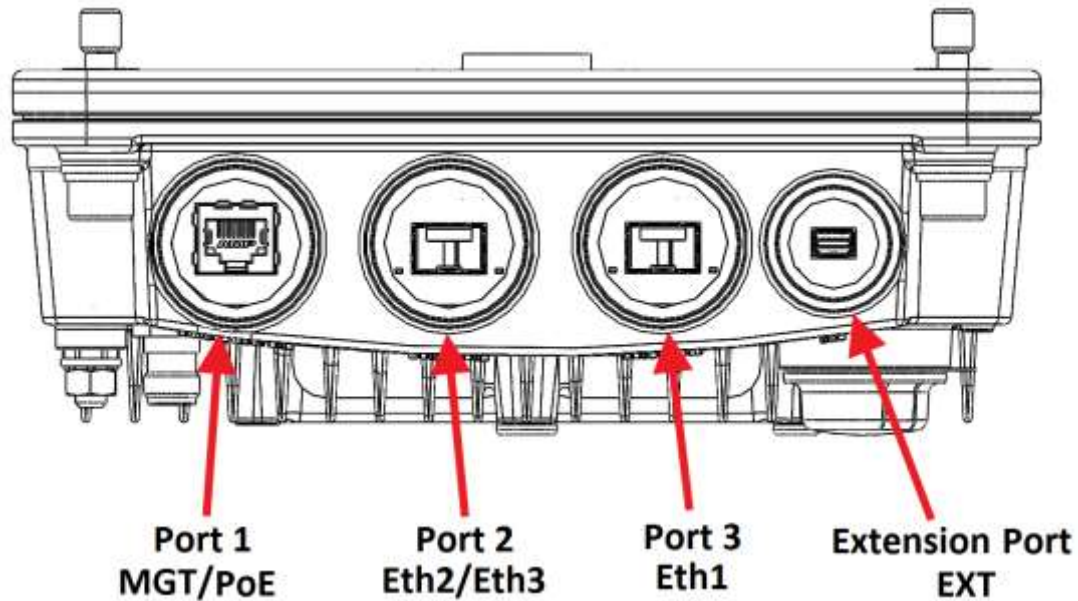


Figure 12: IP-20E Interfaces – ESP

- Port 1 (MGT):
  - Electric: 10/100/1000Base-T RJ-45.
  - Management port (no traffic)
  - PoE
- Port 2
  - SFP cage which supports – Regular and CSFP standards
    - Regular SFP provides Eth2
    - CSFP (Dual BiDir SFP) provides Eth2 and Eth3
- Port 3 (Eth1):
  - SFP cage which supports SFP+ standard
  - 1G or 10G Eth traffic (user-configurable)

**Note:** If the port is configured for 1G, a regular SFP module (rather than SFP+) can be used.

- Extension Port:
  - XPIC and HSB (planned for future release)
  - Direct connection to CPU by technician (see User Guide for details)

**Note:** To use the interface in 10G mode, the third-party switch must be running Pause Frame Flow Control, as defined in IEEE 802.3x. It is also recommended to configure shapers on the third-party switch so as to limit the packet flow from the switch to the IP-20E unit to 2.5 Gbps.

### 3.3.4 Common IP-20E Interfaces

The following interfaces are common to all IP-20E hardware versions.

- Port 4:
  - External Connection – Used for XPIC and HSB protection.

**Note:** XPIC and HSB are planned for future release.

- Antenna Port – Ceragon proprietary flange (flange compliant with UG385/U)
- RSL interface – DVM interface to enable voltage measurement for RSL indication. The RSL measurement is performed using standard DVM testing probes. To access the RSL interface, the user must remove the port's cover and insert the DVM plugs into the sockets, according to the polarization markings.

**Note:** Some radios do not include the SMA connector.

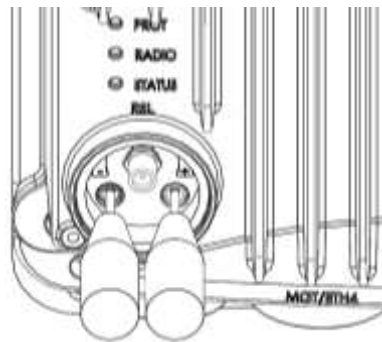


Figure 13: RSL Interface

- Grounding screw

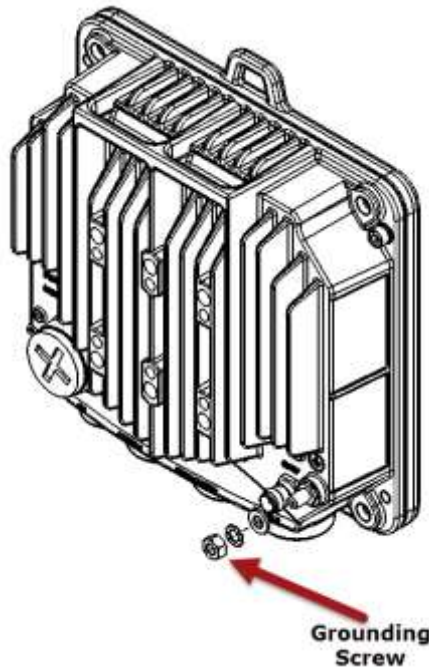


Figure 14: Grounding Screw

### 3.4 PoE Injector

The PoE injector box is designed to offer a single cable solution for connecting both data and the DC power supply to the IP-20E system.

**Note:** An AC-power PoE Injector option is also available. Contact your Ceragon representative for details.

To do so, the PoE injector combines 48VDC input and GbE signals via a standard CAT5E cable using a proprietary Ceragon design.

The PoE injector can be ordered with a DC feed protection, as well as EMC surge protection for both indoor and outdoor installation options. It can be mounted on poles, walls, or inside racks.

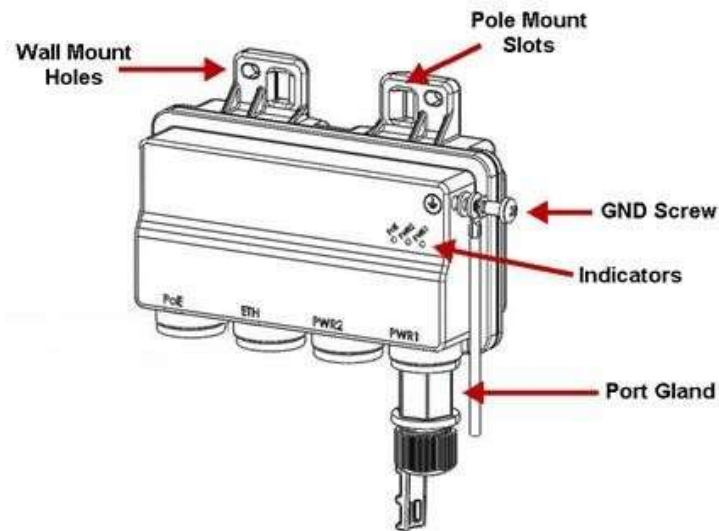


Figure 15: PoE Injector

Two models of the PoE Injector are available:

- **PoE\_Inj\_AO\_2DC\_24V\_48V** – Includes two DC power ports with power input ranges of -(18-60)V each.
- **PoE\_Inj\_AO** – Includes one DC power port (DC Power Port #1), with a power input range of -(40-60)V.

#### 3.4.1 PoE Injector Interfaces

- DC Power Port 1 -(18-60)V or -(40-60)V
- DC Power Port 2 -(18-60)V
- GbE Data Port supporting 10/100/1000Base-T
- Power-Over-Ethernet (PoE) Port
- Grounding screw

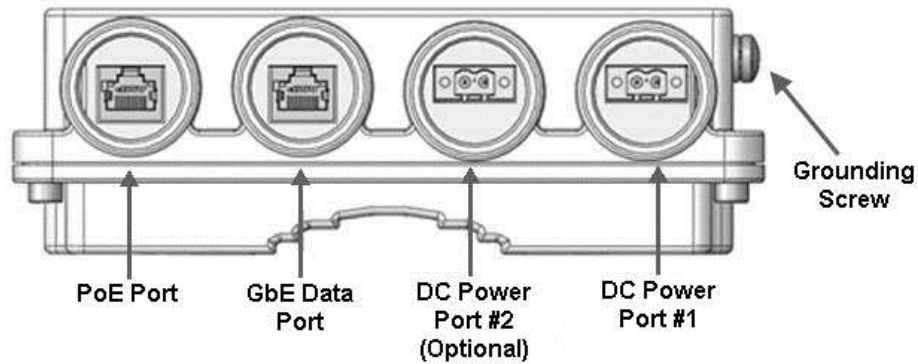


Figure 16: PoE Injector Ports

### 3.5 Voltage Alarm Thresholds and PMs

The allowed power input range for the IP-20E is -40.5V to -60V. An undervoltage alarm is triggered if the power goes below a defined threshold, and an overvoltage alarm is triggered if the power goes above a defined threshold. The default thresholds are:

- Undervoltage Raise Threshold: 36V
- Undervoltage Clear Threshold: 38V
- Overvoltage Raise Threshold: 60V
- Overvoltage Clear Threshold: 58V

These thresholds are configurable.

IP-20E also provides PMs that indicate, per 15-minute and 24-hour periods:

- The number of seconds the unit was in an undervoltage state during the measured period.
- The number of seconds the unit was in an overvoltage state during the measured period.
- The lowest voltage during the measured period.
- The highest voltage during the measured period.

## 4. Activation Keys

This chapter describes IP-20E's activation key model. IP-20E offers a pay-as-you-grow concept in which future capacity growth and additional functionality can be enabled with activation keys. For purposes of the activation keys, each IP-20E unit is considered a distinct device. Each device contains a single activation key.

### This chapter includes:

- Working with Activation Keys
- Demo Mode
- Activation Key Reclaim
- Activation Key-Enabled Features

## 4.1 Working with Activation Keys

Ceragon provides a web-based system for managing activation keys. This system enables authorized users to generate activation keys, which are generated per device serial number.

In order to upgrade an activation key, the activation key must be entered into the IP-20E. The system checks and implements the new activation key, enabling access to new capacities and/or features.

In the event that the activated-key-enabled capacity and feature set is exceeded, an Activation Key Violation alarm occurs and the Web EMS displays a yellow background and an activation key violation warning. After a 48-hour grace period, all other alarms are hidden until the capacity and features in use are brought within the activation key's capacity and feature set.

## 4.2 Demo Mode

The system can be used in demo mode, which enables all features for 60 days. Demo mode expires 60 days from the time it was activated, at which time the most recent valid activation key cipher goes into effect. The 60-day period is only counted when the system is powered up. 10 days before demo mode expires, an alarm is raised indicating to the user that demo mode is about to expire.

## 4.3 Activation Key Reclaim

If a customer needs to deactivate an IP-20 device, whether to return it for repairs or for any other reason, the customer can reclaim the device's activation key and obtain a credit that can be applied to activation keys for other devices.

Where the customer has purchased upgrade activation keys, credit is given for the full feature or capacity, not for each individual upgrade. For example, if the customer purchased five capacity activation keys for 300M and later purchased three upgrade activation keys to 350M, credit is given as if the customer had purchased three activation keys for 350M and two activation keys for 300M.

**Note:** Activation Key Reclaim is only available for IP-20 devices running CeraOS 9.2 or later.

#### 4.4 Activation Key-Enabled Features

The default (base) activation key provides each carrier with a capacity of 10 Mbps. In addition, the default activation key provides:

- A single management service.
- Unlimited Smart Pipe (L1) services.
- A single 1 x GbE port for traffic.
- Full QoS with basic queue buffer management (fixed queues with 1 Mbit buffer size limit, tail-drop only).
- LAG
- No synchronization

**Note:** As described in more detail below, a CET Node activation key allows all CET service/EVC types including Smart Pipe, Point-to-Point, and Multipoint for all services, as well as an additional GbE traffic port for a total of 2 x GbE traffic ports.

As your network expands and additional functionality is desired, activation keys can be purchased for the features described in the following table.

*Table 5: Activation Key Types*

Marketing Model	Description	For Addition Information
Refer to <i>Capacity Activation Keys</i> on page 41	Enables you to increase your system’s radio capacity in gradual steps by upgrading your capacity activation key. Without a capacity activation key, each IP-20E unit has a capacity of 10 Mbps.	Radio Capacity Specifications
IP-20-SL-LLF	Enables you to use Link Loss Forwarding (LLF) with Automatic State Propagation (ASP). Without the activation key, only one LLF ID can be configured. This means that only one ASP pair can be configured per radio interface or radio group.	Automatic State Propagation and Link Loss Forwarding
IP-20-SL-ACM	Enables the use of Adaptive Coding and Modulation (ACM) scripts.	Adaptive Coding Modulation (ACM)
IP-20-SL-Header-DeDuplication	Enables the use of Header De-Duplication, which can be configured to operate at L2 through L4.	Header De-Duplication
IP-20-SL-GE-Port	Per port. Enables the use of an Ethernet port in GbE mode (10/100/1000baseT or 1000baseX). An activation key is required for each additional traffic port that is used on the device, beyond the one GbE traffic port that is enabled via the default activation key. Any of these activation keys can be installed multiple times with dynamic allocation inside the unit. <b>Note:</b> Two Ethernet ports are enabled in FE mode (10/100baseT) by default without requiring any activation key.	IP-20E Interfaces

Marketing Model	Description	For Addition Information
IP-20-SL-10GE-Port	Enables the use of a 10G Ethernet traffic port	IP-20E Interfaces – ESP
Refer to <i>Edge CET Node Activation Keys</i> on page 42.	<p>Enables Carrier Ethernet Transport (CET) and a number of Ethernet services (EVCs), depending on the type of CET Node activation key:</p> <ul style="list-style-type: none"> <li>Edge CET Node – Up to 8 EVCs.</li> <li>Aggregation Level 1 CET Node – Up to 64 EVCs.</li> </ul> <p>A CET Node activation key also enables the following:</p> <ul style="list-style-type: none"> <li>A GbE traffic port in addition to the port provided by the default activation key, for a total of 2 GbE traffic ports.</li> <li>Network resiliency (MSTP/RSTP) for all services.<sup>5</sup></li> <li>Full QoS for all services including basic queue buffer management (fixed queues buffer size limit, tail-drop only) and eight queues per port, no H-QoS.</li> </ul>	<ul style="list-style-type: none"> <li>Ethernet Service Model</li> <li>Quality of Service (QoS)</li> <li>Network Resiliency</li> </ul>
IP-20-SL-Network-Resiliency	Enables G.8032 for improving network resiliency. <sup>6</sup>	Network Resiliency
IP-20-SL-Enh-MC-ABC	Enables the configuration and use of a Multiband (Enhanced Multi-Carrier ABC) link. One activation key is required per Multiband node, on the Master (IP-20E) unit. No activation key is required for the Slave unit.	Multiband (Enhanced Multi-Carrier ABC)
IP-20-SL-H-QoS	Enables H-QoS. This activation key is required to add service-bundles with dedicated queues to interfaces. Without this activation key, only the default eight queues per port are supported.	Quality of Service (QoS)
IP-20-SL-Enh-Packet-Buffer	Enables configurable (non-default) queue buffer size limit for Green and Yellow frames. Also enables WRED. The default queue buffer size limit is 1Mbits for Green frames and 0.5 Mbits for Yellow frames.	Quality of Service (QoS)
IP-20-SL-Sync-Unit	Enables the G.8262 synchronization unit. This activation key is required in order to provide end-to-end synchronization distribution on the physical layer. This activation key is also required to use Synchronous Ethernet (SyncE).	Synchronization
IP-20-SL-IEEE-1588-TC	Enables IEEE-1588 Transparent Clock.	IEEE-1588v2 PTP Optimized Transport
IP-20-SL-IEEE-1588-BC	Enables IEEE-1588 Boundary Clock. <sup>7</sup>	IEEE-1588v2 PTP Optimized Transport

<sup>5</sup> MSTP is planned for future release.

<sup>6</sup> G.8032 is planned for future release.

<sup>7</sup> IEEE-1588 Boundary Clock is planned for future release.



Marketing Model	Description	For Addition Information
IP-20-SL-Frame-Cut-Through	Enables Frame Cut-Through.	Frame Cut-Through
IP-20-SL-Secure-Management	Enables secure management protocols (SSH, HTTPS, SFTP, SNMPv3, and RADIUS)	Secure Communication Channels
IP-20-SL-Eth-OAM-FM	Enables Connectivity Fault Management (FM) per Y.1731.	Connectivity Fault Management (FM)
IP-20-SL-Eth-OAM-PM	Enables performance monitoring pursuant to Y.1731 (CET mode only). <sup>8</sup>	
IP-20-SL-LACP	Enables Link Aggregation Control Protocol (LACP).	Link Aggregation Groups (LAG) and LACP

*Table 6: Capacity Activation Keys*

Marketing Model	Marketing Description	Notes
IP-20-SL-Capacity-50M	IP-20 SL - Capacity 50M	
IP-20-SL-Capacity-100M	IP-20 SL - Capacity 100M	
IP-20-SL-Capacity-150M	IP-20 SL - Capacity 150M	
IP-20-SL-Capacity-200M	IP-20 SL - Capacity 200M	
IP-20-SL-Capacity-225M	IP-20 SL - Capacity 225M	
IP-20-SL-Capacity-250M	IP-20 SL - Capacity 250M	
IP-20-SL-Capacity-300M	IP-20 SL - Capacity 300M	
IP-20-SL-Capacity-350M	IP-20 SL - Capacity 350M	
IP-20-SL-Capacity-400M	IP-20 SL - Capacity 400M	
IP-20-SL-Capacity-450M	IP-20 SL - Capacity 450M	
IP-20-SL-Capacity-500M	IP-20 SL - Capacity 500M	
IP-20-SL-Capacity-650M	IP-20 SL - Capacity 650M	
IP-20-SL-Capacity-1G	IP-20 SL - Capacity 1G	
IP-20-SL-Capacity-1.6G	IP-20 SL - Capacity 1.6G	Max capacity for E-band using 250MHz
IP-20-SL-Capacity-2G	IP-20 SL - Capacity 2G	
IP-20-SL-Capacity-2.5G	IP-20 SL - Capacity 2.5G	Max capacity for E-band using 500MHz
IP-20-SL-Upg-50M-100M	IP-20 SL - Upg 50M - 100M	
IP-20-SL-Upg-100M-150M	IP-20 SL - Upg 100M - 150M	
IP-20-SL-Upg-150M-200M	IP-20 SL - Upg 150M - 200M	
IP-20-SL-Upg-200M-225M	IP-20 SL - Upg 200M - 225M	

<sup>8</sup> PM support is planned for future release.

Marketing Model	Marketing Description	Notes
IP-20-SL-Upg-225M-250M	IP-20 SL - Upg 225M - 250M	
IP-20-SL-Upg-250M-300M	IP-20 SL - Upg 250M - 300M	
IP-20-SL-Upg-300M-350M	IP-20 SL - Upg 300M - 350M	
IP-20-SL-Upg-350M-400M	IP-20 SL - Upg 350M - 400M	
IP-20-SL-Upg-400M-450M	IP-20 SL - Upg 400M - 450M	
IP-20-SL-Upg-450M-500M	IP-20 SL - Upg 450M - 500M	
IP-20-SL-Upg-500M-650M	IP-20 SL - Upg 500M - 650M	
IP-20-SL-Upg-650M-1G	IP-20 SL - Upg 650M - 1G	
IP-20-SL-Upg-1G-1.6G	IP-20 SL - Upg 1G - 1.6G	
IP-20-SL-Upg-1.6G-2G	IP-20 SL - Upg 1.6G - 2G	
IP-20-SL-Upg-2G-2.5G	IP-20 SL - Upg 2G - 2.5G	

*Table 7: Edge CET Node Activation Keys*

Marketing Model	# of Bundled GbE Ports for User Traffic	Management Service	# of Pipe (L1) Ethernet Services	# of CET (L2) Ethernet Services
Default (No Activation Key)	1	Yes	Unlimited	-
IP-20-SL-Edge-CET-Node	2	Yes	Unlimited	8
IP-20-SL-Agg-Lvl-1-CET-Node	2	Yes	Unlimited	64

If a CET activation key is not generated on the IP-20 device upon initial configuration, the device uses by default a base smart pipe activation key (SL-0311-0). If the operator later wants to upgrade from the base smart pipe activation key to a CET activation key, the customer must use a CET upgrade activation key. The following table lists the CET upgrade activation keys:

*Table 8: Edge CET Note Upgrade Activation Keys*

Marketing Model	Upgrade From	Upgrade To
IP-20-SL-Upg-Pipe/Edge-CET	NG Smart Pipe Activation Key (SL-0311-0)	IP-20-SL-Edge-CET-Node (SL-0312-0)
IP-20-SL-Upg-Edge/Agg-Lvl-1	IP-20-SL-Edge-CET-Node (SL-0312-0)	IP-20-SL-Agg-Lvl-1-CET-Node (SL-0313-0)

## 5. Feature Description

This chapter describes the main IP-20E features. The feature descriptions are divided into the categories listed below.

**Note:** For information on the availability of specific features, refer to the IP-20E rollout plan or consult your Ceragon representative.

**This chapter includes:**

- Capacity Summary
- Ethernet Features
- Frequency Scanner
- Synchronization

## 5.1 Innovative Techniques to Boost Capacity and Reduce Latency

IP-20E utilizes Ceragon's innovative technology to provide a high-capacity low-latency solution. The total switching capacity of IP-20E is 5 Gbps or 3.125 mpps, whichever capacity limit is reached first.

IP-20E's Header De-Duplication option enables IP-20E to boost capacity and provide operators with efficient spectrum utilization, with no disruption of traffic and no addition of latency.

Another of Ceragon's innovative features is Frame Cut-Through, which provides unique delay and delay-variation control for delay-sensitive services. Frame Cut-Through enables high-priority frames to bypass lower priority frames even when the lower-priority frames have already begun to be transmitted. Once the high-priority frames are transmitted, transmission of the lower-priority frames is resumed with no capacity loss and no re-transmission required.

Ceragon was the first to introduce hitless and errorless Adaptive Coding Modulation (ACM) to provide dynamic adjustment of the radio's modulation to account for up-to-the-minute changes in fading conditions. IP-20E employs full-range dynamic ACM, with modulations in the range of 2 to 1024 QAM.<sup>9</sup>

### This section includes:

- Capacity Summary
- Header De-Duplication
- Frame Cut-Through
- Adaptive Coding Modulation (ACM)
- Multiband (Enhanced Multi-Carrier ABC)
- External Protection
- ATPC
- Radio Signal Quality PMs
- Radio Utilization PMs

---

<sup>9</sup> Certain modulations are only supported with specific channels. For details, see *Radio Capacity Specifications* on page 170.

### 5.1.1 Capacity Summary

The total switching capacity of IP-20E is 5 Gbps or 3.125 mpps, whichever capacity limit is reached first.

An IP-20E unit can provide the following radio capacity:

- **Supported Channels** –14/28/62.5/125/250/500 MHz channels
- **E-Band Frequency Bands** – 71-76 GHz, 81-86 GHz
- **Supported Modulation Range** – 2 QAM (BPSK) to 1024 QAM<sup>10</sup>

#### For additional information:

- Radio Capacity Specifications

---

<sup>10</sup> Certain modulations are only supported with specific channels. For details, see *Radio Capacity Specifications* on page 170.

### 5.1.2 Header De-Duplication

**Note:** In CeraOS 10.7, Header De-Duplication is not available for 500 MHz channels.

IP-20E offers the option of Header De-Duplication, enabling operators to significantly improve Ethernet throughput over the radio link without affecting user traffic. Header De-Duplication can be configured to operate on various layers of the protocol stack, saving bandwidth by reducing unnecessary header overhead. Header De-duplication is also sometimes known as header compression.

**Note:** Without Header De-Duplication, IP-20E still removes the IFG and Preamble fields. This mechanism operates automatically even if Header De-Duplication is not selected by the user.

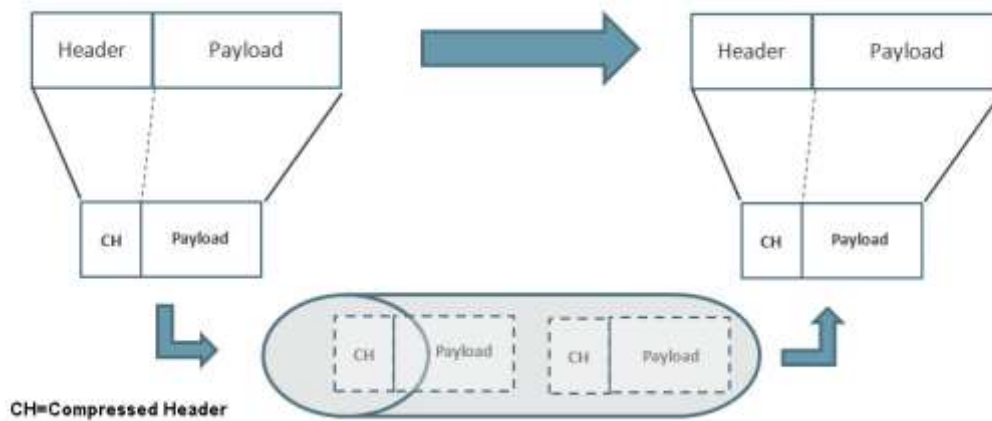


Figure 17: Header De-Duplication

Header De-Duplication identifies traffic flows and replaces the header fields with a "flow ID". This is done using a sophisticated algorithm that learns unique flows by looking for repeating frame headers in the traffic stream over the radio link and compressing them. The principle underlying this feature is that frame headers in today's networks use a long protocol stack that contains a significant amount of redundant information.

Header De-Duplication can be customized for optimal benefit according to network usage. The user can determine the layer or layers on which Header De-Duplication operates, with the following options available:

- Layer2 – Header De-Duplication operates on the Ethernet level.
- MPLS – Header De-Duplication operates on the Ethernet and MPLS levels.
- Layer3 – Header De-Duplication operates on the Ethernet and IP levels.
- Layer4 – Header De-Duplication operates on all supported layers up to Layer 4.
- Tunnel – Header De-Duplication operates on Layer 2, Layer 3, and on the Tunnel layer for packets carrying GTP or GRE frames.

- Tunnel-Layer3 – Header De-Duplication operates on Layer 2, Layer 3, and on the Tunnel and T-3 layers for packets carrying GTP or GRE frames.
- Tunnel-Layer4 – Header De-Duplication operates on Layer 2, Layer 3, and on the Tunnel, T-3, and T-4 layers for packets carrying GTP or GRE frames.

Operators must balance the depth of De-Duplication against the number of flows in order to ensure maximum efficiency. Up to 256 concurrent flows are supported.

The following graphic illustrates how Header De-Duplication can save up to 148 bytes per frame.

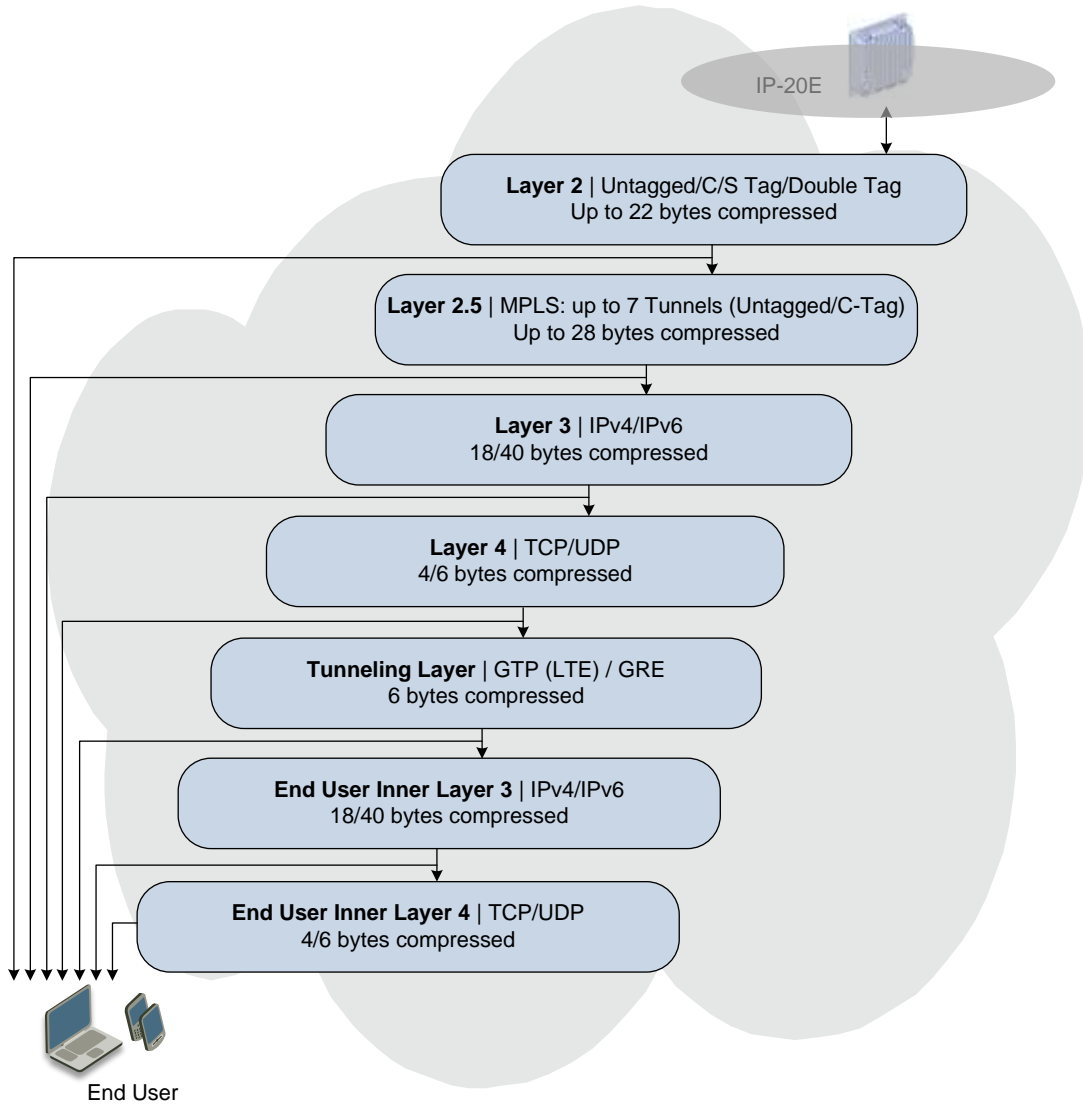


Figure 18: Header De-Duplication Potential Throughput Savings per Layer

Depending on the packet size and network topology, Header De-Duplication can increase capacity by up to:

- 50% (256 byte packets)
- 25% (512 byte packets)
- 8% (1518 byte packets)

### 5.1.2.1 Header De-Duplication Counters

In order to help operators optimize Header De-Duplication, IP-20E provides counters when Header De-Duplication is enabled. These counters include real-time information, such as the number of currently active flows and the number of flows by specific flow type. This information can be used by operators to monitor network usage and capacity, and optimize the Header De-Duplication settings. By monitoring the effectiveness of the de-duplication settings, the operator can adjust these settings to ensure that the network achieves the highest possible effective throughput.



### 5.1.3 Frame Cut-Through

**Related topics:**

- Ethernet Latency Specifications
- Egress Scheduling

Frame Cut-Through is a unique and innovative feature that ensures low latency for delay-sensitive services, such as CES, VoIP, and control protocols. With Frame Cut-Through, high-priority frames are pushed ahead of lower priority frames, even if transmission of the lower priority frames has already begun. Once the high priority frame has been transmitted, transmission of the lower priority frame is resumed with no capacity loss and no re-transmission required. This provides operators with:

- Immunity to head-of-line blocking effects – key for transporting high-priority, delay-sensitive traffic.
- Reduced delay-variation and maximum-delay over the link:
  - Improved QoE for VoIP and other streaming applications.
  - Expedited delivery of critical control frames.



*Figure 19: Propagation Delay with and without Frame Cut-Through*

### 5.1.3.1 Frame Cut-Through Basic Operation

Using Frame Cut-Through, frames assigned to high priority queues can pre-empt frames already in transmission over the radio from other queues. Transmission of the pre-empted frames is resumed after the cut-through with no capacity loss or re-transmission required. This feature provides services that are sensitive to delay and delay variation, such as VoIP, with true transparency to lower priority services, by enabling the transmission of a high priority, low-delay traffic stream.



Figure 20: Frame Cut-Through

When enabled, Frame Cut-Through applies to all high priority frames, i.e., all frames that are classified to a CoS queue with 4<sup>th</sup> (highest) priority.

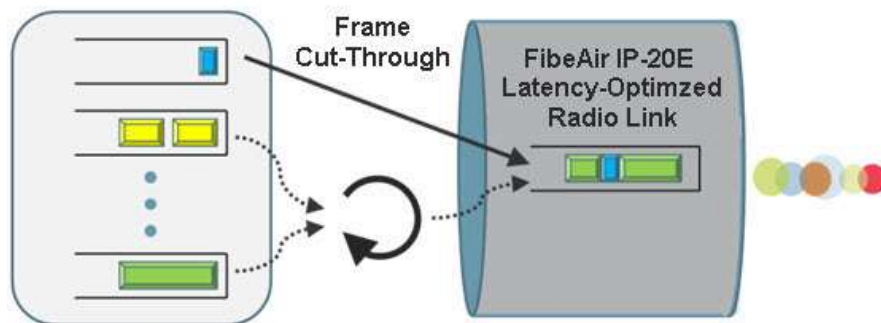


Figure 21: Frame Cut-Through

### 5.1.4 Adaptive Coding Modulation (ACM)

**Related topics:**

- Quality of Service (QoS)

FibeAir IP-20E employs full-range dynamic ACM. IP-20E’s ACM mechanism copes with 100 dB per second fading in order to ensure high transmission quality. IP-20E’s ACM mechanism is designed to work with IP-20E’s QoS mechanism to ensure that high priority voice and data frames are never dropped, thus maintaining even the most stringent service level agreements (SLAs).

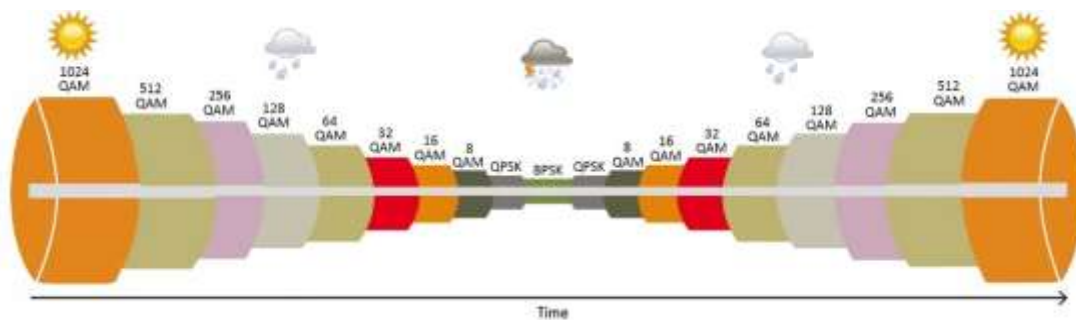
The hitless and errorless functionality of IP-20E’s ACM has another major advantage in that it ensures that TCP/IP sessions do not time-out. Without ACM, even interruptions as short as 50 milliseconds can lead to timeout of TCP/IP sessions, which are followed by a drastic throughput decrease while these sessions recover.

#### 5.1.4.1 Ten Working Points

IP-20E implements ACM with ten available working points, as shown in the following table:

*Table 9: ACM Working Points (Profiles)*

Profile 0	BPSK
Profile 1	QPSK
Profile 2	8 QAM
Profile 3	16 QAM
Profile 4	32 QAM
Profile 5	64 QAM
Profile 6	128 QAM
Profile 7	256 QAM
Profile 8	512 QAM
Profile 9	1024 QAM



*Figure 22: Adaptive Coding and Modulation with Ten Working Points*

#### 5.1.4.2 Hitless and Errorless Step-by Step Adjustments

ACM works as follows. Assuming a system configured for 128 QAM over a 250 MHz channel, when the receive signal Bit Error Ratio (BER) level reaches a predetermined threshold, the system preemptively switches to 64 QAM and the throughput is stepped down accordingly. This is an errorless, virtually instantaneous switch. The system continues to operate at 64 QAM until the fading condition either intensifies or disappears. If the fade intensifies, another switch takes the system down to 32 QAM. If, on the other hand, the weather condition improves, the modulation is switched back to the next higher step (e.g., 128 QAM) and so on, step by step. The switching continues automatically and as quickly as needed, and can reach all the way down to QPSK during extreme conditions.

#### 5.1.4.3 ACM Radio Scripts

An ACM radio script is constructed of a set of profiles. Each profile is defined by a modulation order (QAM) and coding rate, and defines the profile's capacity (bps). When an ACM script is activated, the system automatically chooses which profile to use according to the channel fading conditions.

The ACM TX profile can be different from the ACM RX profile.

The ACM TX profile is determined by remote RX MSE performance. The RX end is the one that initiates an ACM profile upgrade or downgrade. When MSE improves above a predefined threshold, RX generates a request to the remote TX to upgrade its profile. If MSE degrades below a predefined threshold, RX generates a request to the remote TX to downgrade its profile.

ACM profiles are decreased or increased in an errorless operation, without affecting traffic.

ACM scripts can be activated in one of two modes:

- **Fixed Mode.** In this mode, the user can select the specific profile from all available profiles in the script. The selected profile is the only profile that will be valid, and the ACM engine will be forced to be OFF. This mode can be chosen without an ACM activation key.
- **Adaptive Mode.** In this mode, the ACM engine is running, which means that the radio adapts its profile according to the channel fading conditions. Adaptive mode requires an ACM activation key.

The user can define a minimum and maximum profile. For example, if the user selects a maximum profile of 5, the system will not climb above the profile 5, even if channel fading conditions allow it.

#### 5.1.4.4 ACM Benefits

The advantages of IP-20E's dynamic ACM include:

- Maximized spectrum usage
- Increased capacity over a given bandwidth
- Eight modulation/coding work points (~3 db system gain for each point change)
- Hitless and errorless modulation/coding changes, based on signal quality

- Adaptive Radio Transmit Power per modulation for maximal system gain per working point
- An integrated QoS mechanism that enables intelligent congestion management to ensure that high priority traffic is not affected during link fading

#### 5.1.4.5 ACM and Built-In QoS

IP-20E's ACM mechanism is designed to work with IP-20E's QoS mechanism to ensure that high priority voice and data frames are never dropped, thus maintaining even the most stringent SLAs. Since QoS provides priority support for different classes of service, according to a wide range of criteria, you can configure IP-20E to discard only low priority frames as conditions deteriorate.

If you want to rely on an external switch's QoS, ACM can work with the switch via the flow control mechanism supported in the radio.

#### 5.1.4.6 ACM with Adaptive Transmit Power

**This feature requires:**

- ACM script

---

When planning ACM-based radio links, the radio planner attempts to apply the lowest transmit power that will perform satisfactorily at the highest level of modulation. During fade conditions requiring a modulation drop, most radio systems cannot increase transmit power to compensate for the signal degradation, resulting in a deeper reduction in capacity. IP-20E is capable of adjusting power on the fly, and optimizing the available capacity at every modulation point.

### 5.1.5 Multiband (Enhanced Multi-Carrier ABC)

**This feature requires:**

- IP-20E ESP hardware version
- When used with IP-20C or IP-20S, IP-20C/IP-20S ESS hardware version (two SFP ports) is required in order to configure synchronization and/or in-band management for the IP-20C or IP-20S

---

IP-20E can be used in Multiband configurations with FibeAir IP-20C, IP-20S, or third-party microwave radios.

Multiband bundles E-Band and microwave radios in a single group that is shared with an Ethernet interface. This provides an Ethernet link over the radio with capacity of up to 2.5 Gbps. A Multiband link is highly resilient because the microwave link acts, in effect, as a backup for the E-Band link.

In normal circumstances, both links transmit simultaneously, dividing the traffic between them. The maximum capacity of the IP-20C, IP-20S, or third-party radio is user-configurable up to 1 Gbps, with the IP-20E handling the rest of the link’s capacity.

In the event of radio failure in one device, the other device continues to operate to the extent of its available capacity. Thus, operators benefit from both the high capacity of E-Band and the high reliability of microwave.

#### 5.1.5.1 Multiband Antenna

For configurations with IP-20E and IP-20C or IP-20S, a special Multiband antenna can be used. This antenna transmits and receives both E-band and microwave signals. Both units (IP-20E and IP-20C or IP-20S) are connected to this antenna via direct mount.

*Table 10: Multiband Antenna Marketing Model*

Microwave Frequency	Marketing Model	Description
18 GHz	Am-2-18/80-SP/SP-MT	ANT,2FT,MB,17.7-19.7,SP,RFU-C/UBR220,71.0-86.0GHz,SP,RFU-C
23 GHz	Am-2-23/80-SP/SP-MT	ANT,2FT,MB,21.2-23.6,SP,RFU-C/UBR220,71.0-86.0GHz,SP,RFU-C

#### 5.1.5.2 Multiband Operation

Multiband uses a master/slave architecture in which the IP-20E serves as master and the IP-20C, IP-20S, or third-party carrier serves as slave. All traffic enters the node via the 10G port on the IP-20E (Eth1). Traffic is passed to a Multiband group that includes Eth2 and the radio carrier. The Multiband group mechanism divides the traffic, sending a portion of the traffic via Eth2 to the slave unit. The rest of the traffic is transmitted via the IP-20E radio carrier.

The slave unit acts as a pipe. Traffic is passed from Eth2 to either a single radio carrier or 2+0 Multi-Carrier ABC group, and transmitted. To ensure a smooth traffic flow, the following must be configured on the IP-20C or IP-20S:

- Automatic State Propagation, with **ASP trigger by remote fault** enabled.
- Bandwidth Notification.

In configurations that use a third-party radio as the slave unit, the following must be configured on the slave unit:

- The unit's switching mechanism must be set to Pipe mode
- Automatic State Propagation must be enabled
- Flow Control must be enabled
- A Pipe service must be configured between the Ethernet port connected to the IP-20E and the slave unit's radio or radio group

**Note:** The latency differential between the IP-20E and the slave unit cannot be more than 1.6 ms. That means that under all foreseeable conditions, such as a high ACM profile on one unit and a low ACM profile on the other unit, there should be no more than a 1.6 ms difference between the latency of the two radio carriers in the Multiband link.

Figure 23 illustrates Multiband operation with an IP-20E and IP-20C. Figure 23 illustrates a configuration that includes SyncE and management of the IP-20C via the IP-20E. Both of these items are optional, and requires an optical cable between Eth3 on the IP-20E and Eth3 on the IP-20C, as described in the following sections.

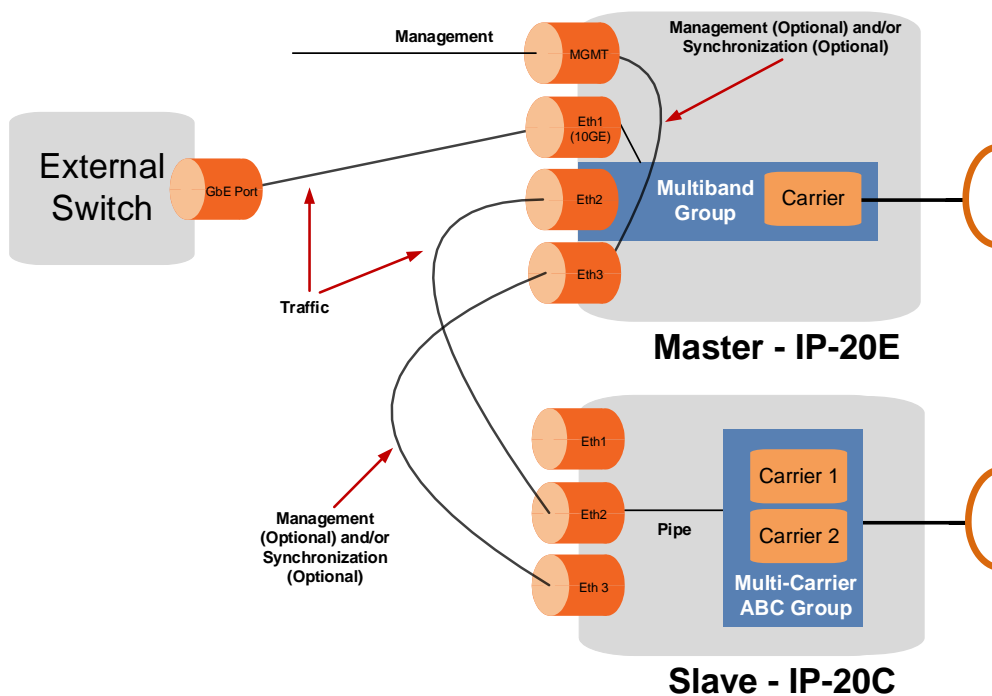


Figure 23: Multiband Operation



### 5.1.5.3 Synchronization with Multiband Operation

SyncE and 1588 Transparent Clock can be used in Multiband nodes. In Multiband nodes that consist of an IP-20E and an IP-20C or IP-20S, SyncE and 1588 Transparent Clock can be configured for both the IP-20E and the IP-20C or IP-20S. SyncE and 1588 Transparent Clock for the IP-20C or IP-20S require an ESS hardware version for the IP-20C or IP-20S (two SFP ports).

In CeraOS 10.7, synchronization for the IP-20C requires an optical cable between port Eth3 on the IP-20E and Eth3 on the IP-20C or IP-20S. In this configuration, Port 2 on the IP-20E must be used as a CSFP port. Eth2 and Eth3 on the IP-20C or IP-20S must use BiDi SFP modules.

Eth 2 is used to transmit traffic to the IP-20C or IP-20S and Eth 3 used to transmit synchronization to the IP-20C or IP-20S.

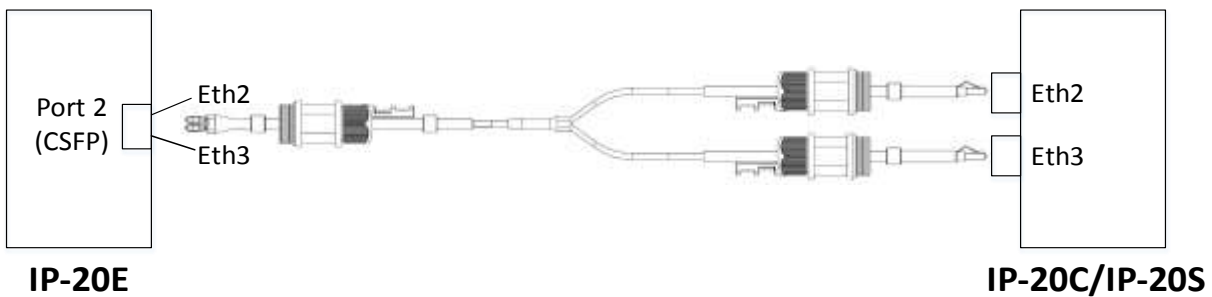


Figure 24: Multiband Cable for Use with CSFP Port

Table 11: Multiband Cable for Use with CSFP Port

Cable Marketing Model	Cable Description
IP-20_FO_SM_LC2SNG2LC_ARM_5m	CABLE,FO,DUAL LC TO LC/LC SPLIT,5.3M,SM,3xM28 GLAND,OUTDOOR

#### 5.1.5.4 Multiband Management

The IP-20E unit in a Multiband configuration can be managed normally, as in any other configuration.

The IP-20C or IP-20S unit can managed directly via its Management port, or via the IP-20E. To manage the IP-20C or IP-20S via the IP-20E, an optical cable must be connected between port Eth3 on the IP-20E and Eth3 on the IP-20C or IP-20S. In this configuration, Port 2 on the IP-20E must be used as a CSFP port. A management service must be defined between the management port of the IP-20E and Eth3 on the IP-20E. This transmits management to Eth3 on the IP-20C or IP-20S.

The IP-20C or IP-20S unit can managed directly via its Management port, or via the IP-20E. In-band management via the IP-20E requires an ESS hardware version for IP-20C or IP-20S (two SFP ports). To manage the IP-20C or IP-20S via the IP-20E, an optical cable must be connected between port Eth3 on the IP-20E and Eth3 on the IP-20C or IP-20S. In this configuration, Port 2 on the IP-20E must be used as a CSFP port. To enable the connection to both Eth2 and Eth3 on the IP-20C or IP-20S, use the same cable described in *Synchronization with Multiband Operation*.

**Note:** To avoid loops, in-band management *must not* be configured on the IP-20C or IP-20S radio.

#### 5.1.5.5 Limitations and Interoperability of Multiband with other Features

- Multiband is fully compatible with ACM.
- The maximum capacity of a Multiband node is 2.5 Gbps.
- LLDP is not supported between Eth2 of the IP-20E and Eth2 of the IP-20C or IP-20S in Multiband configurations.
- Multiband with CeraOS versions 10.5 and higher is not compatible over the link with Multiband using earlier versions. Therefore, when upgrading the software on a Multiband link to CeraOS 10.5 or higher from an earlier version, make sure to upgrade the remote unit first when using inband management to avoid loss of management.

### 5.1.6 External Protection

**Note:** Support for HSB configurations is planned for future release.

1+1 HSB protection utilizes two IP-20E units with a single antenna, to provide hardware redundancy for Ethernet traffic. One IP-20E operates in active mode and the other operates in standby mode. If a protection switchover occurs, the roles are switched. The active unit goes into standby mode and the standby unit goes into active mode.

The standby unit is managed by the active unit. The standby unit’s transmitter is muted, but the standby unit’s receiver is kept on in order to monitor the link. However, the received signal is terminated at the switch level.

One GbE port on each IP-20E is connected to an optical splitter. Both ports on each IP-20E unit belong to a LAG, with 100% distribution to the port connected to the optical splitter or external switch on each IP-20E unit. Traffic must be routed to an optical GbE port on each IP-20E unit. No forwarding cable is required.

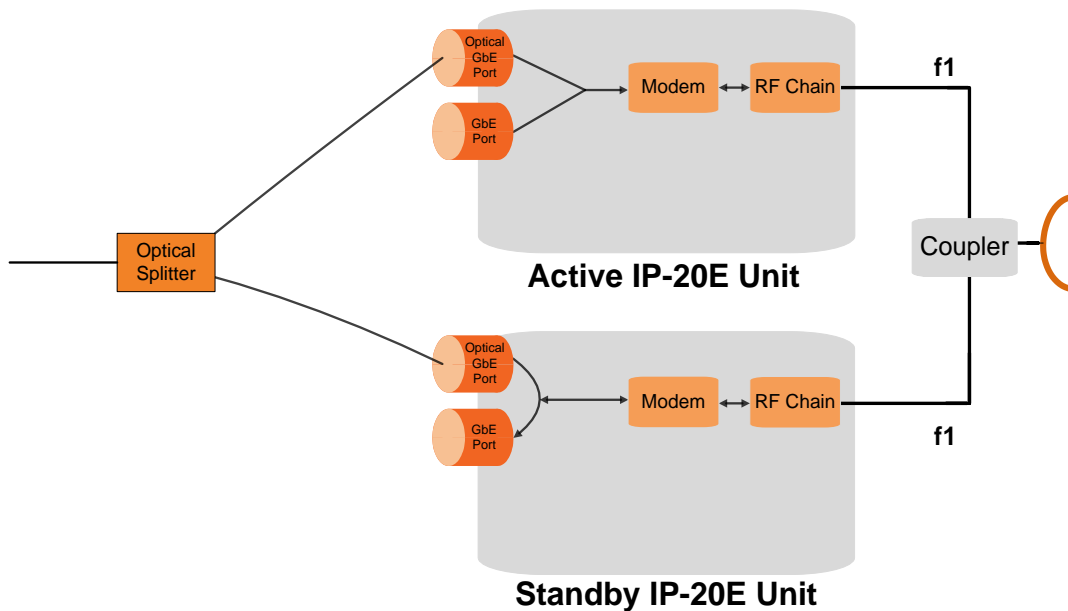


Figure 25: 1+1 HSB Protection

In a 1+1 HSB configuration, each IP-20E monitors its own core. If the active IP-20E detects a radio failure, it initiates a switchover to the standby IP-20E.

#### 5.1.6.1 Management for External Protection

In an external protection configuration, the standby unit is managed via the active unit. A protection cable connects the two IP-20E units via their management ports. This cable is used for internal management. By placing an Ethernet splitter on the protection port, the user can add another cable for local management. A single IP address is used for both IP-20E units, to ensure that management is not lost in the event of switchover.

**Note:** If in-band management is used, no splitter is necessary.

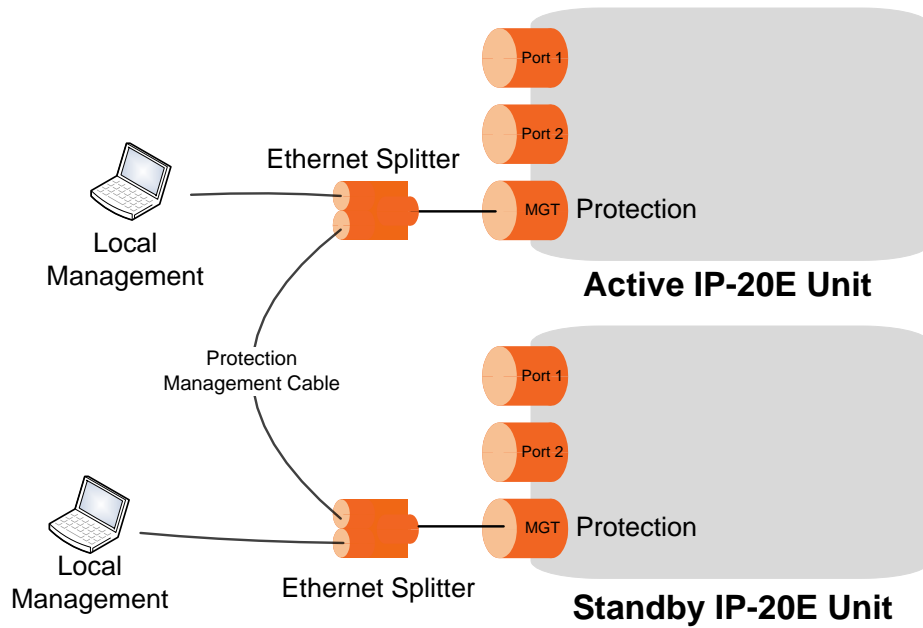


Figure 26: Internal and Local Management

The active and standby units must have the same configuration. The configuration of the active unit can be manually copied to the standby unit. Upon copying, both units are automatically reset. Therefore, it is important to ensure that the units are fully and properly configured when the system is initially brought into service.

**Note:** Dynamic and hitless copy-to-mate functionality is planned for future release.

### 5.1.6.2 Switchover

In the event of switchover, the standby unit becomes the active unit and the active unit becomes the standby unit. Switchover takes less than 50 msec.

The following events trigger switchover for HSB protection according to their priority, with the highest priority triggers listed first:

- 1 No mate/hardware failure
- 2 Lockout
- 3 Force switch
- 4 Radio/Signal Failures
- 5 Manual switch
- 6 Management port failure

### 5.1.7 ATPC

ATPC is a closed-loop mechanism by which each carrier changes the TX power according to the indication received across the link, in order to achieve a desired RSL on the other side of the link.

ATPC enables the transmitter to operate at less than maximum power for most of the time. When fading conditions occur, TX power is increased as needed until the maximum is reached.

The ATPC mechanism has several potential advantages, including less power consumption and longer amplifier component life, thereby reducing overall system cost.

ATPC is frequently used as a means to mitigate frequency interference issues with the environment, thus allowing new radio links to be easily coordinated in frequency congested areas.

#### 5.1.7.1 ATPC Override Timer

This feature complies with NSMA Recommendation WG 18.91.032. With ATPC enabled, if the radio automatically increases its TX power up to the configured maximum it can lead to a period of sustained transmission at maximum power, resulting in unacceptable interference with other systems.

To minimize interference, IP-20E provides an ATPC override mechanism. When ATPC override is enabled, a timer begins when ATPC raises the TX power to its maximum. When the timer expires, the ATPC maximum TX power is overridden by the user-configured ATPC override TX power level until the user manually cancels the ATPC override. The unit then returns to normal ATPC operation.

The following parameters can be configured:

- **ATPC Override Admin** – Determines whether the ATPC override mechanism is enabled.
- **Override TX Level** – The TX power, in dBm, used when the unit is in an ATPC override state.
- **Override Timeout** – The amount of time, in seconds, the timer counts from the moment the radio reaches its maximum configured TX power until ATPC override goes into effect.

When the radio enters ATPC override state, the radio transmits no higher than the pre-determined ATPC override TX level, and an ATPC override alarm is raised. The radio remains in ATPC override state until the ATPC override state is manually cancelled by the user (or the unit is reset).

**Note:** When canceling an ATPC override state, the user should ensure that the underlying problem has been corrected. Otherwise, ATPC may be overridden again.

### 5.1.8 Radio Signal Quality PMs

IP-20E supports the following radio signal quality PMs. For each of these PM types, users can display the minimum and maximum values, per radio, for every 15-minute interval. Users can also define thresholds and display the number of seconds during which the radio was not within the defined threshold.

- RSL (users can define two RSL thresholds)
- TSL
- MSE
- XPI

Users can display BER PMs, including the current BER per radio, and define thresholds for Excessive BER and Signal Degrade BER. Alarms are issued if these thresholds are exceeded. See *Configurable BER Threshold for Alarms and Traps* on page 174. Users can also configure an alarm that is raised if the RSL falls beneath a user-defined threshold. See *RSL Threshold Alarm* on page 174.

### 5.1.9 Radio Utilization PMs

IP-20E supports the following counters, as well as additional PMs based on these counters:

- Radio Traffic Utilization – Measures the percentage of radio capacity utilization, and used to generate the following PMs for every 15-minute interval:
  - Peak Utilization (%)
  - Average Utilization (%)
  - Over-Threshold Utilization (seconds). The utilization threshold can be defined by the user (0-100%).
- Radio Traffic Throughput – Measures the total effective Layer 2 traffic sent through the radio (Mbps), and used to generate the following PMs for every 15-minute interval:
  - Peak Throughput
  - Average Throughput
  - Over-Threshold Utilization (seconds). The threshold is defined as 0.
- Radio Traffic Capacity – Measures the total L1 bandwidth (payload plus overheads) sent through the radio (Mbps), and used to generate the following PMs for every 15-minute interval:
  - Peak Capacity
  - Average Capacity
  - Over-Threshold Utilization (seconds). The threshold is defined as 0.
- Frame Error Rate – Measures the frame error rate (%), and used to generate Frame Error Rate PMs for every 15-minute interval.

## 5.2 Ethernet Features

IP-20E features a service-oriented Ethernet switching fabric that provides a total switching capacity of up to 5 Gbps or 3.125 mpps. IP-20E has an electrical GbE interface that supports PoE, an SFP interface that can be used with regular SFP or CSFP for two Ethernet interfaces, and an additional electrical GbE port that can be used for management or traffic.

IP-20E's service-oriented Ethernet paradigm enables operators to configure VLAN definition, CoS, and security on a service, service-point, and interface level.

IP-20E provides personalized and granular QoS that enables operators to customize traffic management parameters per customer, application, service type, or in any other way that reflects the operator's business and network requirements.

### This section includes:

- Ethernet Services Overview
- IP-20E's Ethernet Capabilities
- Supported Standards
- Ethernet Service Model
- Ethernet Interfaces
- Quality of Service (QoS)
- Global Switch Configuration
- Automatic State Propagation and Link Loss Forwarding
- Adaptive Bandwidth Notification (EOAM)
- Network Resiliency
- OAM

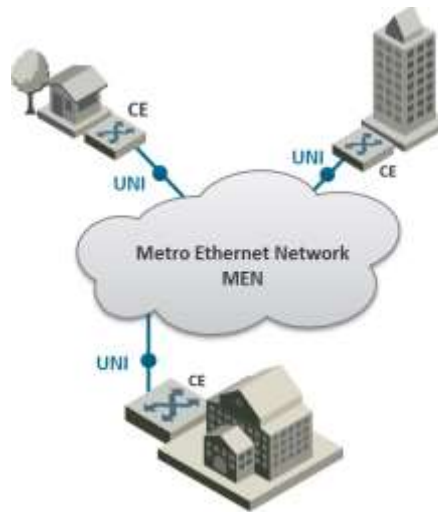


### 5.2.1 Ethernet Services Overview

The IP-20E services model is premised on supporting the standard MEF services (MEF 6, 10), and builds upon this support by the use of very high granularity and flexibility. Operationally, the IP-20E Ethernet services model is designed to offer a rich feature set combined with simple and user-friendly configuration, enabling users to plan, activate, and maintain any packet-based network scenario.

This section first describes the basic Ethernet services model as it is defined by the MEF, then goes on to provide a basic overview of IP-20E's Ethernet services implementation.

The following figure illustrates the basic MEF Ethernet services model.



*Figure 27: Basic Ethernet Service Model*

In this illustration, the Ethernet service is conveyed by the Metro Ethernet Network (MEN) provider. Customer Equipment (CE) is connected to the network at the User Network Interface (UNI) using a standard Ethernet interface (10/100 Mbps, 1 Gbps). The CE may be a router, bridge/switch, or host (end system). A NI is defined as the demarcation point between the customer (subscriber) and provider network, with a standard IEEE 802.3 Ethernet PHY and MAC.

The services are defined from the point of view of the network's subscribers (users). Ethernet services can be supported over a variety of transport technologies and protocols in the MEN, such as SDH/SONET, Ethernet, ATM, MPLS, and GFP. However, from the user's perspective, the network connection at the user side of the UNI is only Ethernet.

### 5.2.1.1 EVC

Subscriber services extend from UNI to UNI. Connectivity between UNIs is defined as an Ethernet Virtual Connection (EVC), as shown in the following figure.

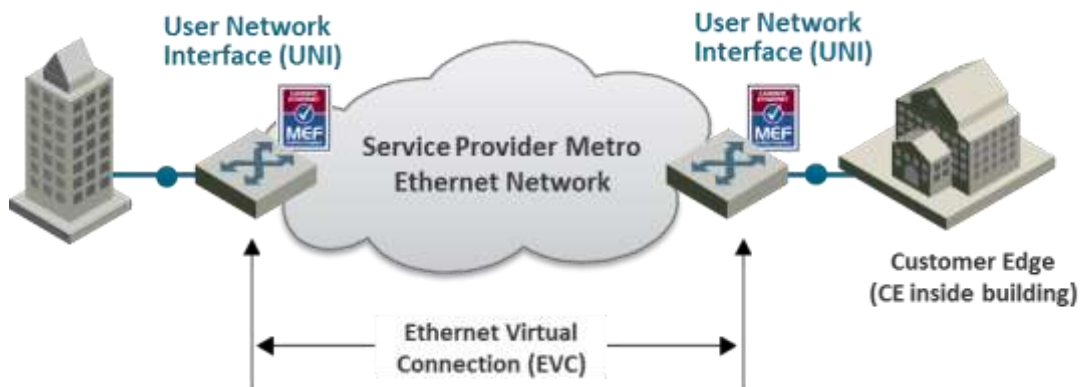


Figure 28: Ethernet Virtual Connection (EVC)

An EVC is defined by the MEF as an association of two or more UNIs that limits the exchange of service frames to UNIs in the Ethernet Virtual Connection. The EVC perform two main functions:

- Connects two or more customer sites (UNIs), enabling the transfer of Ethernet frames between them.
- Prevents data transfer involving customer sites that are not part of the same EVC. This feature enables the EVC to maintain a secure and private data channel.

A single UNI can support multiple EVCs via the Service Multiplexing attribute. An ingress service frame that is mapped to the EVC can be delivered to one or more of the UNIs in the EVC, other than the ingress UNI. It is vital to avoid delivery back to the ingress UNI, and to avoid delivery to a UNI that does not belong to the EVC. An EVC is always bi-directional in the sense that ingress service frames can originate at any UNI in an EVC.

Service frames must be delivered with the same Ethernet MAC address and frame structure that they had upon ingress to the service. In other words, the frame must be unchanged from source to destination, in contrast to routing in which headers are discarded. Based on these characteristics, an EVC can be used to form a Layer 2 private line or Virtual Private Network (VPN).

One or more VLANs can be mapped (bundled) to a single EVC.

The MEF has defined three types of EVCs:

- 7 **Point to Point EVC** – Each EVC contains exactly two UNIs. The following figure shows two point-to-point EVCs connecting one site to two other sites.

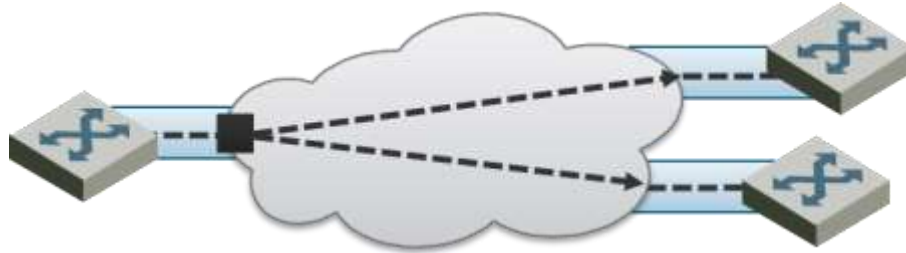


Figure 29: Point to Point EVC

- 8 **Multipoint (Multipoint-to-Multipoint) EVC** – Each EVC contains two or more UNIs. In the figure below, three sites belong to a single Multipoint EVC and can forward Ethernet frames to each other.

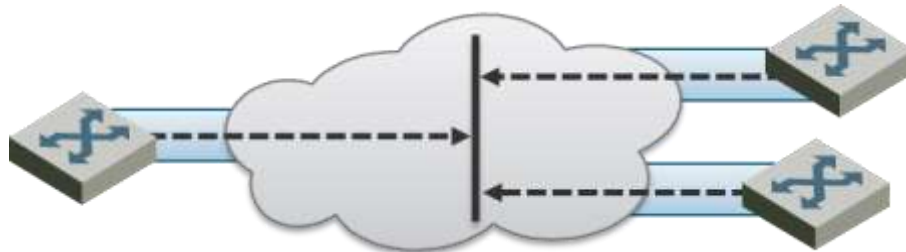


Figure 30: Multipoint to Multipoint EVC

- 9 **Rooted Multipoint EVC (Point-to-Multipoint)** – Each EVC contains one or more UNIs, with one or more UNIs defined as Roots, and the others defined as Leaves. The Roots can forward frames to the Leaves. Leaves can only forward frames to the Roots, but not to other Leaves.

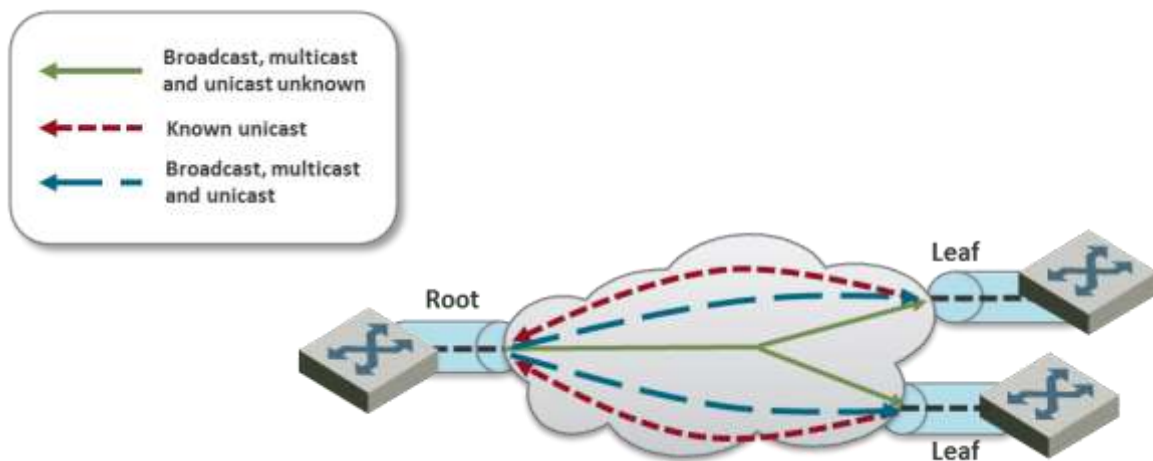


Figure 31: Rooted Multipoint EVC

In the IP-20E, an EVC is defined by either a VLAN or by Layer 1 connectivity (Pipe Mode).

### 5.2.1.2 Bandwidth Profile

The bandwidth profile (BW profile) is a set of traffic parameters that define the maximum limits of the customer's traffic.

At ingress, the bandwidth profile limits the traffic transmitted into the network:

- Each service frame is checked against the profile for compliance with the profile.
- Bandwidth profiles can be defined separately for each UNI (MEF 10.2).
- Service frames that comply with the bandwidth profile are forwarded.
- Service frames that do not comply with the bandwidth profile are dropped at the ingress interface.

The MEF has defined the following three bandwidth profile service attributes:

- Ingress BW profile per ingress UNI
- Ingress BW profile per EVC
- Ingress BW profile per CoS identifier

The BW profile service attribute consists of four traffic parameters:

- CIR (Committed Information Rate)
- CBS (Committed Burst Size)
- EIR (Excess Information Rate)
- EBS (Excess Burst Size)

Bandwidth profiles can be applied per UNI, per EVC at the UNI, or per CoS identifier for a specified EVC at the UNI.

The Color of the service frame is used to determine its bandwidth profile. If the service frame complies with the CIR and EIR defined in the bandwidth profile, it is marked Green. In this case, the average and maximum service frame rates are less than or equal to the CIR and CBS, respectively.

If the service frame does not comply with the CIR defined in the bandwidth profile, but does comply with the EIR and EBS, it is marked Yellow. In this case, the average service frame rate is greater than the CIR but less than the EIR, and the maximum service frame size is less than the EBS.

If the service frame fails to comply with both the CIR and the EIR defined in the bandwidth profile, it is marked Red and discarded.

In the IP-20E, bandwidth profiles are constructed using a full standardized TrTCM policer mechanism.

### 5.2.1.3 Ethernet Services Definitions

The MEF provides a model for defining Ethernet services. The purpose of the MEF model is to help subscribers better understand the variations among different types of Ethernet services. IP-20E supports a variety of service types defined by the MEF. All of these service types share some common attributes, but there are also differences as explained below.

Ethernet service types are generic constructs used to create a broad range of services. Each Ethernet service type has a set of Ethernet service attributes that define the characteristics of the service. These Ethernet service attributes in turn are associated with a set of parameters that provide various options for the various service attributes.



Figure 32: MEF Ethernet Services Definition Framework

The MEF defines three generic Ethernet service type constructs, including their associated service attributes and parameters:

- Ethernet Line (E-Line)
- Ethernet LAN (E-LAN)
- Ethernet Tree (E-Tree)

Multiple Ethernet services are defined for each of the three generic Ethernet service types. These services are differentiated by the method for service identification used at the UNIs. Services using All-to-One Bundling UNIs (port-based) are referred to as “Private” services, while services using Service Multiplexed (VLAN-based) UNIs are referred to as “Virtual Private” services. This relationship is shown in the following table.

Table 12: MEF-Defined Ethernet Service Types

Service Type	Port Based (All to One Bundling)	VLAN-BASED (EVC identified by VLAN ID)
E-Line (Point-to-Point EVC)	Ethernet Private Line (EPL)	Ethernet Virtual Private Line (EVPL)
E-LAN (Multipoint-to-Multipoint EVC)	Ethernet Private LAN (EP-LAN)	Ethernet Virtual Private LAN (EVP-LAN)
E-Tree (Rooted Multipoint EVC)	Ethernet Private Tree (EP-Tree)	Ethernet Virtual Private Tree (EVP-Tree)

All-to-One Bundling refers to a UNI attribute in which all Customer Edge VLAN IDs (CE-VLAN IDs) entering the service via the UNI are associated with a single EVC.

Bundling refers to a UNI attribute in which more than one CE-VLAN ID can be associated with an EVC.

To fully specify an Ethernet service, additional service attributes must be defined in addition to the UNI and EVC service attributes. These service attributes can be grouped under the following categories:

- Ethernet physical interfaces
- Traffic parameters
- Performance parameters
- Class of service
- Service frame delivery
- VLAN tag support
- Service multiplexing
- Bundling
- Security filters

### E-Line Service

The Ethernet line service (E-Line service) provides a point-to-point Ethernet Virtual Connection (EVC) between two UNIs. The E-Line service type can be used to create a broad range of Ethernet point-to-point services and to maintain the necessary connectivity. In its simplest form, an E-Line service type can provide symmetrical bandwidth for data sent in either direction with no performance assurances, e.g., best effort service between two FE UNIs. In more sophisticated forms, an E-Line service type can provide connectivity between two UNIs with different line rates and can be defined with performance assurances such as CIR with an associated CBS, EIR with an associated EBS, delay, delay variation, loss, and availability for a given Class of Service (CoS) instance. Service multiplexing can occur at one or both UNIs in the EVC. For example, more than one point-to-point EVC can be offered on the same physical port at one or both of the UNIs.

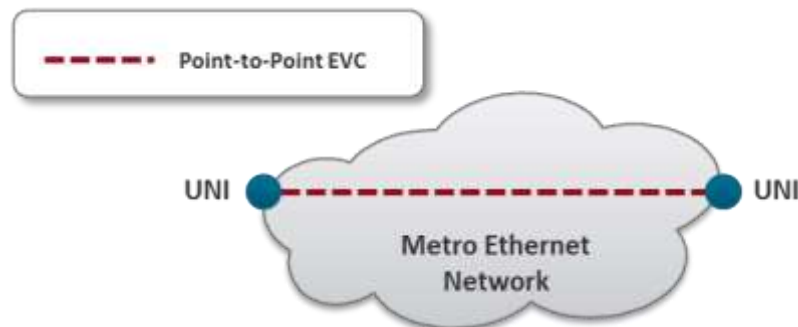


Figure 33: E-Line Service Type Using Point-to-Point EVC

### Ethernet Private Line Service

An Ethernet Private Line (EPL) service is specified using an E-Line Service type. An EPL service uses a point-to-point EVC between two UNIs and provides a high degree of transparency for service frames between the UNIs that it interconnects such that the service frame’s header and payload are identical at both the source and destination UNI when the service frame is delivered (L1 service). A dedicated UNI (physical interface) is used for the service and service multiplexing is not allowed. All service frames are mapped to a single EVC at the UNI. In cases where the EVC speed is less than the UNI speed, the CE is expected to shape traffic to the ingress bandwidth profile of the service to prevent the traffic from being discarded by the service. The EPL is a port-based service, with a single EVC across dedicated UNIs providing site-to-site connectivity. EPL is the most popular Ethernet service type due to its simplicity, and is used in diverse applications such as replacing a TDM private line.

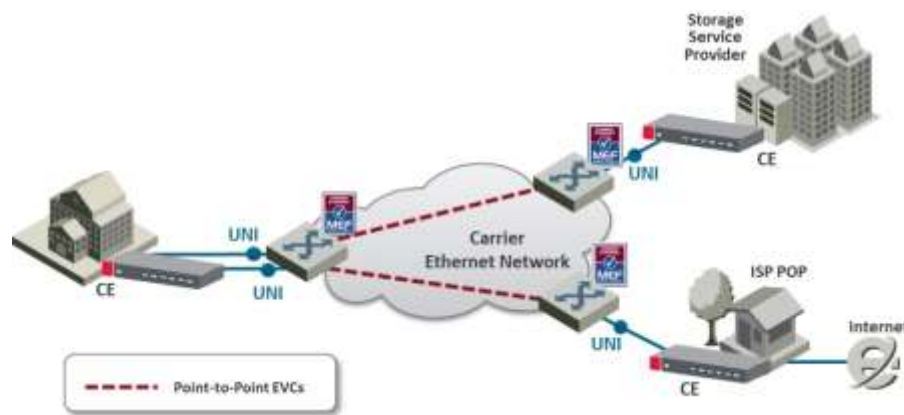


Figure 34: EPL Application Example

### Ethernet Virtual Private Line Service

An Ethernet Virtual Private Line (EVPL) is created using an E-Line service type. An EVPL can be used to create services similar to EPL services. However, several characteristics differ between EPL and EVPL services.

First, an EVPL provides for service multiplexing at the UNI, which means it enables multiple EVCs to be delivered to customer premises over a single physical connection (UNI). In contrast, an EPL only enables a single service to be delivered over a single physical connection.

Second, the degree of transparency for service frames is lower in an EVPL than in an EPL.

Since service multiplexing is permitted in EVPL services, some service frames may be sent to one EVC while others may be sent to other EVCs. EVPL services can be used to replace Frame Relay and ATM L2 VPN services, in order to deliver higher bandwidth, end-to-end services.



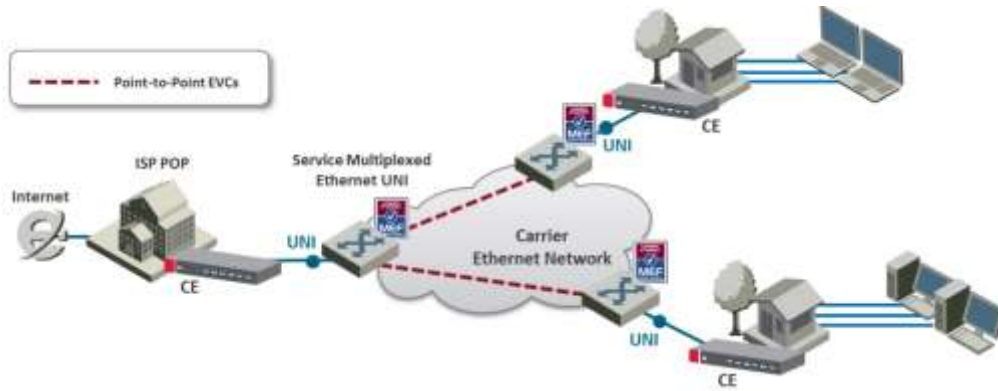


Figure 35: EVPL Application Example

### E-LAN Service

The E-LAN service type is based on Multipoint to Multipoint EVCs, and provides multipoint connectivity by connecting two or more UNIs. Each site (UNI) is connected to a multipoint EVC, and customer frames sent from one UNI can be received at one or more UNIs. If additional sites are added, they can be connected to the same multipoint EVC, simplifying the service activation process. Logically, from the point of view of a customer using an E-LAN service, the MEN can be viewed as a LAN.

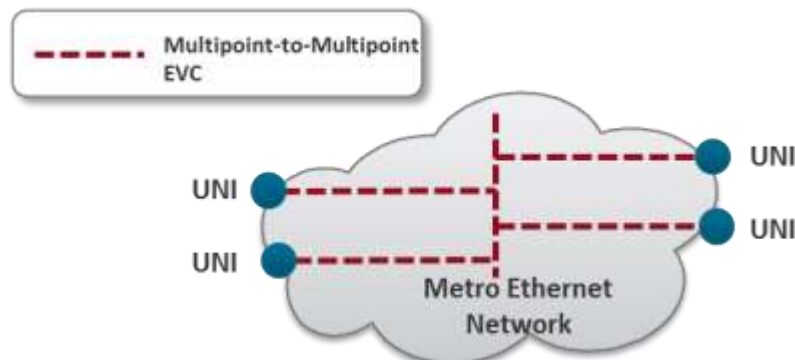


Figure 36: E-LAN Service Type Using Multipoint-to-Multipoint EVC

The E-LAN service type can be used to create a broad range of services. In its basic form, an E-LAN service can provide a best effort service with no performance assurances between the UNIs. In more sophisticated forms, an E-LAN service type can be defined with performance assurances such as CIR with an associated CBS, EIR with an associated EBS, delay, delay variation, loss, and availability for a given CoS instance.

For an E-LAN service type, service multiplexing may occur at none, one, or more than one of the UNIs in the EVC. For example, an E-LAN service type (Multipoint-to-Multipoint EVC) and an E-Line service type (Point-to-Point EVC) can be service multiplexed at the same UNI. In such a case, the E-LAN service type can be used to interconnect other customer sites while the E-Line service type is used to connect to the Internet, with both services offered via service multiplexing at the same UNI.



E-LAN services can simplify the interconnection among a large number of sites, in comparison to hub/mesh topologies implemented using point-to-point networking technologies such as Frame Relay and ATM.

For example, consider a point-to-point network configuration implemented using E-Line services. If a new site (UNI) is added, it is necessary to add a new, separate EVC to all of the other sites in order to enable the new UNI to communicate with the other UNIs, as shown in the following figure.

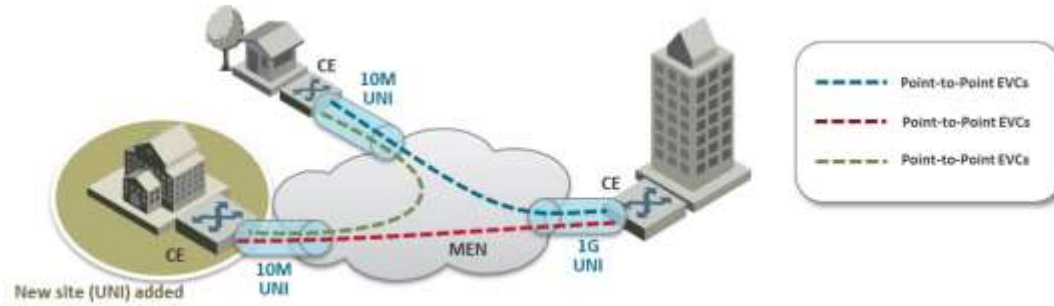


Figure 37: Adding a Site Using an E-Line Service

In contrast, when using an E-LAN service, it is only necessary to add the new UNI to the multipoint EVC. No additional EVCs are required, since the E-LAN service uses a multipoint to multipoint EVC that enables the new UNI to communicate with each of the others UNIs. Only one EVC is required to achieve multi-site connectivity, as shown in the following figure.

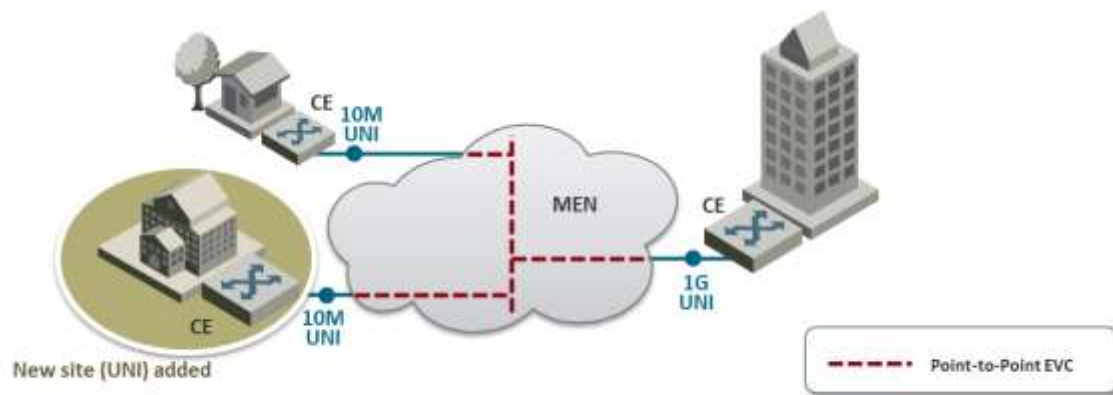


Figure 38: Adding a Site Using an E-LAN Service

The E-LAN service type can be used to create a broad range of services, such as private LAN and virtual private LAN services.

### Ethernet Private LAN Service

It is often desirable to interconnect multiple sites using a Local Area Network (LAN) protocol model and have equivalent performance and access to resources such as servers and storage. Customers commonly require a highly transparent service that connects multiple UNIs. The Ethernet Private LAN (EP-LAN) service is defined with this in mind, using the E-LAN service type. The EP-LAN is a Layer 2 service in which each UNI is dedicated to the EP-LAN service. A typical use case for EP-LAN services is Transparent LAN.

The following figure shows an example of an EP-LAN service in which the service is defined to provide Customer Edge VLAN (CE-VLAN) tag preservation and tunneling for key Layer 2 control protocols. Customers can use this service to configure VLANs across the sites without the need to coordinate with the service provider. Each interface is configured for All-to-One Bundling, which enables the EP-LAN service to support CE-VLAN ID preservation. In addition, EP-LAN supports CE-VLAN CoS preservation.

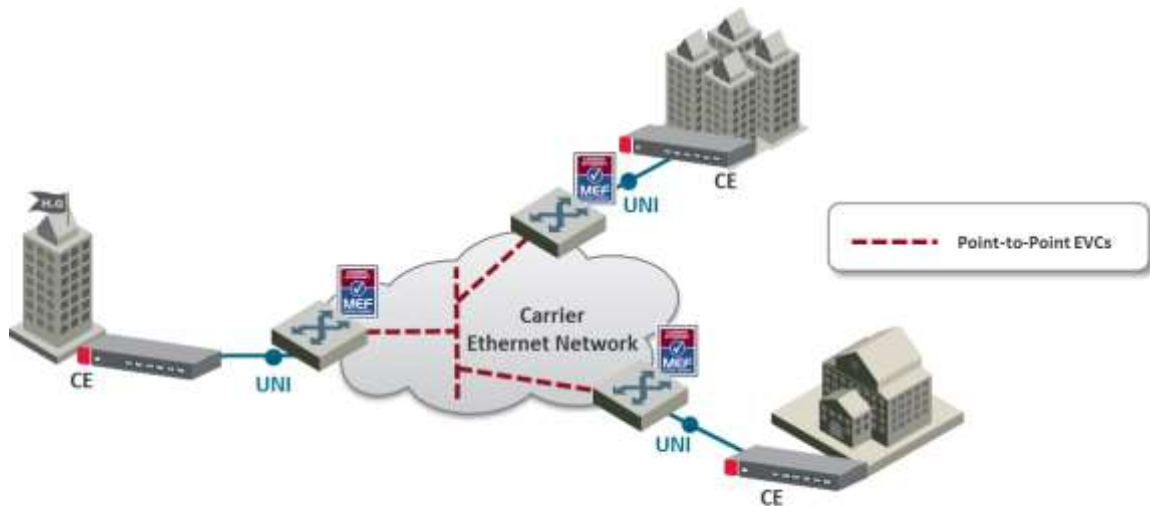


Figure 39: MEF Ethernet Private LAN Example

### Ethernet Virtual Private LAN Service

Customers often use an E-LAN service type to connect their UNIs in an MEN, while at the same time accessing other services from one or more of those UNIs. For example, a customer might want to access a public or private IP service from a UNI at the customer site that is also used to provide E-LAN service among the customer’s several metro locations. The Ethernet Virtual Private LAN (EVP-LAN) service is defined to address this need. EVP-LAN is actually a combination of EVPL and E-LAN.

Bundling can be used on the UNIs in the Multipoint-to-Multipoint EVC, but is not mandatory. As such, CE-VLAN tag preservation and tunneling of certain Layer 2 control protocols may or may not be provided. Service multiplexing is allowed on each UNI. A typical use case would be to provide Internet access a corporate VPN via one UNI.

The following figure provides an example of an EVP-LAN service.

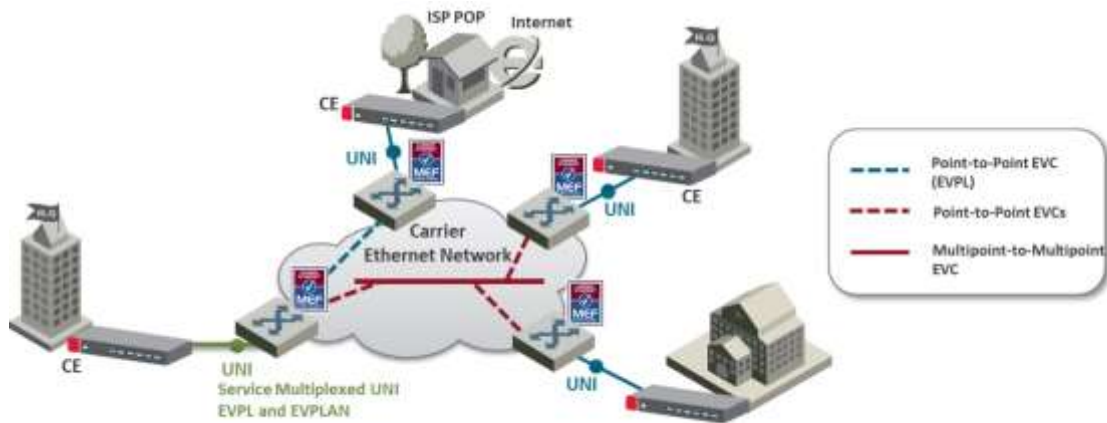


Figure 40: MEF Ethernet Virtual Private LAN Example

### E-Tree Service

The E-Tree service type is an Ethernet service type that is based on Rooted-Multipoint EVCs. In its basic form, an E-Tree service can provide a single Root for multiple Leaf UNIs. Each Leaf UNI can exchange data with only the Root UNI. A service frame sent from one Leaf UNI cannot be delivered to another Leaf UNI. This service can be particularly useful for Internet access, and video-over-IP applications such as multicast/broadcast packet video. One or more CoS values can be associated with an E-Tree service.

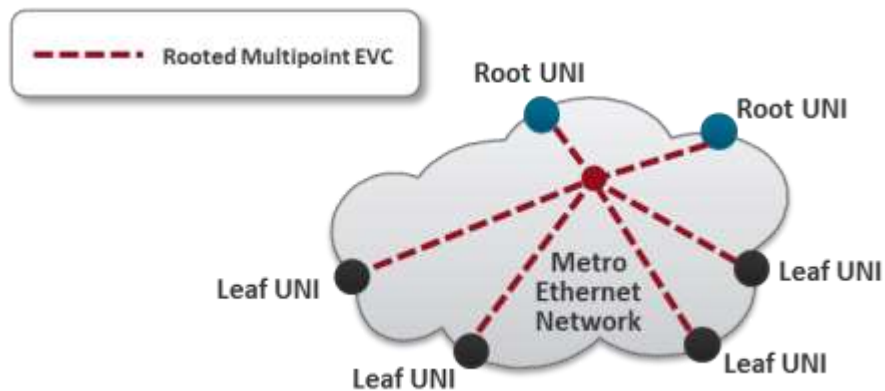


Figure 41: E-Tree Service Type Using Rooted-Multipoint EVC

Two or more Root UNIs can be supported in advanced forms of the E-Tree service type. In this scenario, each Leaf UNI can exchange data only with the Root UNIs. The Root UNIs can communicate with each other. Redundant access to the Root can also be provided, effectively allowing for enhanced service reliability and flexibility.



Figure 42: E-Tree Service Type Using Multiple Roots

Service multiplexing is optional and may occur on any combination of UNIs in the EVC. For example, an E-Tree service type using a Rooted-Multipoint EVC, and an E-Line service type using a Point-to-Point EVC, can be service multiplexed on the same UNI. In this example, the E-Tree service type can be used to support a specific application at the Subscriber UNI, e.g., ISP access to redundant PoPs (multiple Roots at ISP PoPs), while the E-Line Service type is used to connect to another enterprise site with a Point-to-Point EVC.

**Ethernet Private Tree Service**

The Ethernet Private Tree service (EP-Tree) is designed to supply the flexibility for configuring multiple sites so that the services are distributed from a centralized site, or from a few centralized sites. In this setup, the centralized site or sites are designed as Roots, while the remaining sites are designated as Leaves. CE-VLAN tags are preserved and key Layer 2 control protocols are tunneled. The advantage of such a configuration is that the customer can configure VLANs across its sites without the need to coordinate with the service provider. Each interface is configured for All-to-One Bundling, which means that EP-Tree services support CE-VLAN ID preservation. EP-Tree also supports CE-VLAN CoS preservation. EP-Tree requires dedication of the UNIs to the single EP-Tree service.

The following figure provides an example of an EP-Tree service.

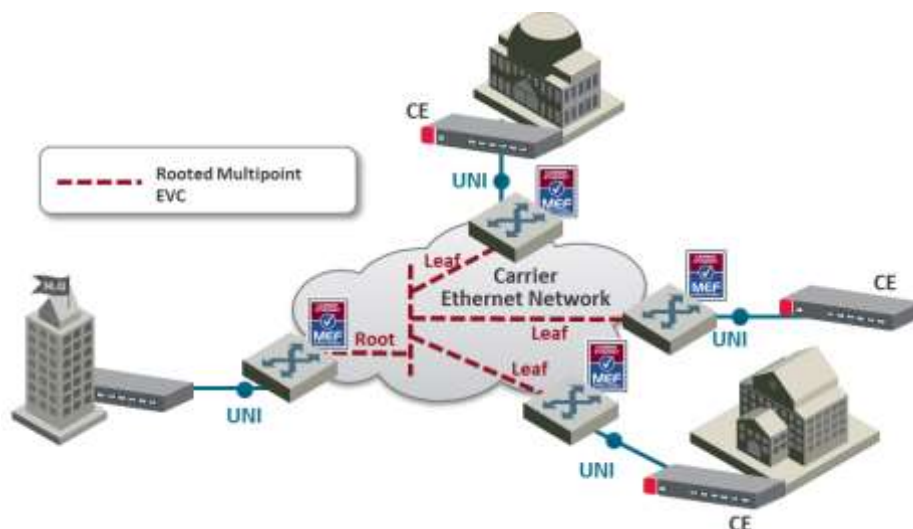


Figure 43: MEF Ethernet Private Tree Example

### Ethernet Virtual Private Tree Service

In order to access several applications and services from well-defined access points (Root), the UNIs are attached to the service in a Rooted Multipoint connection. Customer UNIs can also support other services, such as EVPL and EVP-LAN services. An EVP-Tree service is used in such cases. Bundling can be used on the UNIs in the Rooted Multipoint EVC, but it is not mandatory. As such, CE-VLAN tag preservation and tunneling of certain Layer 2 Control Protocols may or may not be provided. EVP-Tree enables each UNI to support multiple services. A good example would be a customer that has an EVP-LAN service providing data connectivity among three UNIs, while using an EVP-Tree service to provide video broadcast from a video hub location. The following figure provides an example of a Virtual Private Tree service.

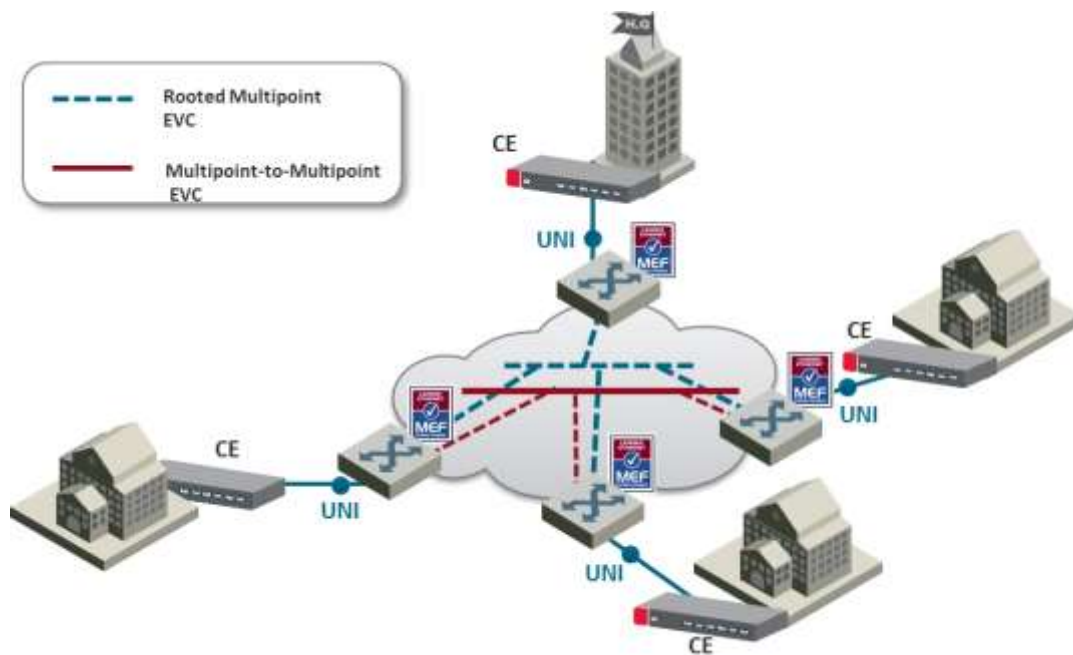


Figure 44: Ethernet Virtual Private Tree Example

IP-20E enables network connectivity for **Mobile Backhaul** cellular infrastructure, fixed networks, private networks and enterprises.

**Mobile Backhaul** refers to the network between the Base Station sites and the Network Controller/Gateway sites for all generations of mobile technologies. Mobile equipment and networks with ETH service layer functions can support MEF Carrier Ethernet services using the service attributes defined by the MEF.

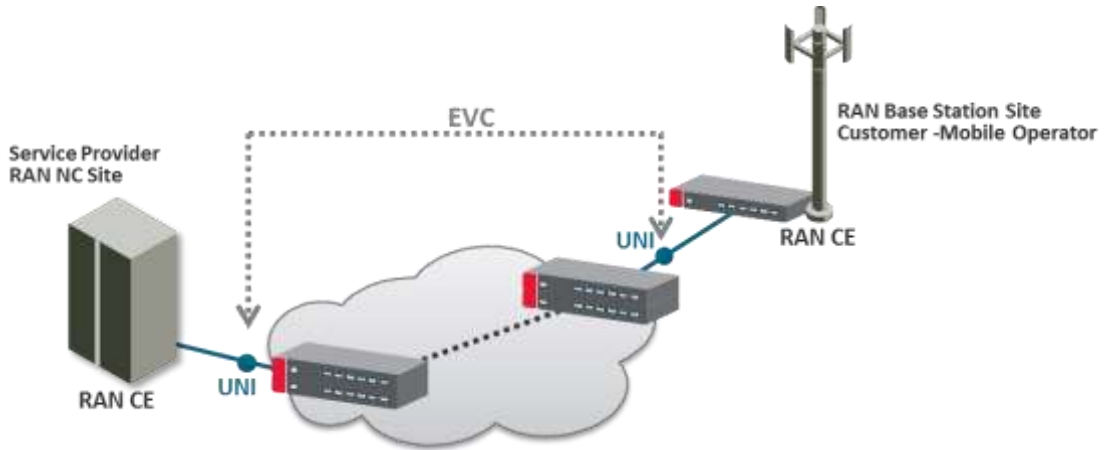


Figure 45: Mobile Backhaul Reference Model

The IP-20E services concept is purpose built to support the standard MEF services for mobile backhaul (MEF 22, mobile backhaul implementation agreement), as an addition to the baseline definition of MEF Services (MEF 6) using service attributes (as well as in MEF 10). E-Line, E-LAN and E-Tree services are well defined as the standard services.

**5.2.1.4 IP-20E Universal Packet Backhaul Services Core**

IP-20E addresses the customer demand for multiple services of any of the aforementioned types (EPL, EVPL, EP –LAN, EVP-LAN, EP-Tree, and EVP-Tree) through its rich service model capabilities and flexible integrated switch application. Additional Layer 1 point-based services are supported as well, as explained in more detail below.

Services support in the mobile backhaul environment is provided using the IP-20E services core, which is structured around the building blocks shown in the figure below. IP-20E provides rich and secure packet backhaul services over any transport type with unified, simple, and error-free operation.



Figure 46: Packet Service Core Building Blocks



**Any Service**

- Ethernet services (EVCs)
  - E-Line (Point-to-Point)
  - E-LAN (Multipoint)
  - E-Tree (Point-to-Multipoint)<sup>11</sup>
- Port based (Smart Pipe) services

**Any Transport**

- Native Ethernet (802.1Q/Q-in-Q)
- Any topology and any mix of radio and fiber interfaces
- Seamless interworking with any optical network (NG-SDH, packet optical transport, IP/MPLS service/VPN routers)

**Virtual Switching/Forwarding Engine**

- Clear distinction between user facing service interfaces (UNI) and intra-network interfaces
- Fully flexible C-VLAN and S-VLAN encapsulation (classification and preservation)
- Improved security/isolation without limiting C-VLAN reuse by different customers
- Per-service MAC learning with 128K MAC addresses support

**Fully Programmable and Future-Proof**

- Network-processor-based services core
- Ready today to support emerging and future standards and networking protocols

**Rich Policies and Tools with Unified and Simplified Management**

- Personalized QoS (H-QoS)<sup>12</sup>
- Superb service OAM (CFM, EFM, PM)<sup>13</sup>
- Carrier-grade service resiliency (G.8032)<sup>14</sup>

---

<sup>11</sup> E-Tree services are planned for future release.

<sup>12</sup> H-QoS support is planned for future release.

<sup>13</sup> PM and EFM support is planned for future release.

<sup>14</sup> G.8032 support is planned for future release.

## 5.2.2 IP-20E's Ethernet Capabilities

IP-20E is built upon a service-based paradigm that provides rich and secure frame backhaul services over any type of transport, with unified, simple, and error-free operation. IP-20E's services core includes a rich set of tools that includes:

- Service-based Quality of Service (QoS).
- Service OAM, including granular PMs, and service activation.
- Carrier-grade service resiliency using G.8032<sup>15</sup>

The following are IP-20E's main Carrier Ethernet transport features. This rich feature set provides a future-proof architecture to support backhaul evolution for emerging services.

- Up to 64 services
- Up to 32 service points per service
- All service types:<sup>16</sup>
  - Multipoint (E-LAN)
  - Point-to-Point (E-Line)
  - Point-to-Multipoint (E-Tree)
  - Smart Pipe
  - Management
- 128K MAC learning table, with separate learning per service (including limiters)
- Flexible transport and encapsulation via 802.1q and 802.1ad (Q-in-Q), with tag manipulation possible at ingress and egress
- High precision, flexible frame synchronization solution combining SyncE and 1588v2
- Hierarchical QoS with 1,024 service level queues, deep buffering, hierarchical scheduling via WFQ and Strict priority, and shaping at each level
- 1K hierarchical two-rate three-Color policers
  - Port based – Unicast, Multicast, Broadcast, Ethertype
  - Service-based
  - CoS-based
- Up to four link aggregation groups (LAG)
  - Hashing based on L2, L3, MPLS, and L4
- Enhanced <50msec network level resiliency (G.8032) for ring/mesh support

---

<sup>15</sup> G.8032 support is planned for future release.

<sup>16</sup> Point-to-Multipoint service support is planned for future release.



### 5.2.3 Supported Standards

IP-20E is fully MEF-9 and MEF-14 certified for all Carrier Ethernet services. For a full list of standards and certifications supported by IP-20E, refer to the following sections:

- Supported Ethernet Standards
- MEF Certifications for Ethernet Services

### 5.2.4 Ethernet Service Model

IP-20E’s service-oriented Ethernet paradigm is based on Carrier-Ethernet Transport (CET), and provides a highly flexible and granular switching fabric for Ethernet services.

IP-20E’s virtual switching/forwarding engine is based on a clear distinction between user-facing service interfaces and intra-network service interfaces. User-facing interfaces (UNIs) are configured as Service Access Points (SAPs), while intra-network interfaces (E-NNIs or NNIs) are configured as Service Network Points (SNPs).

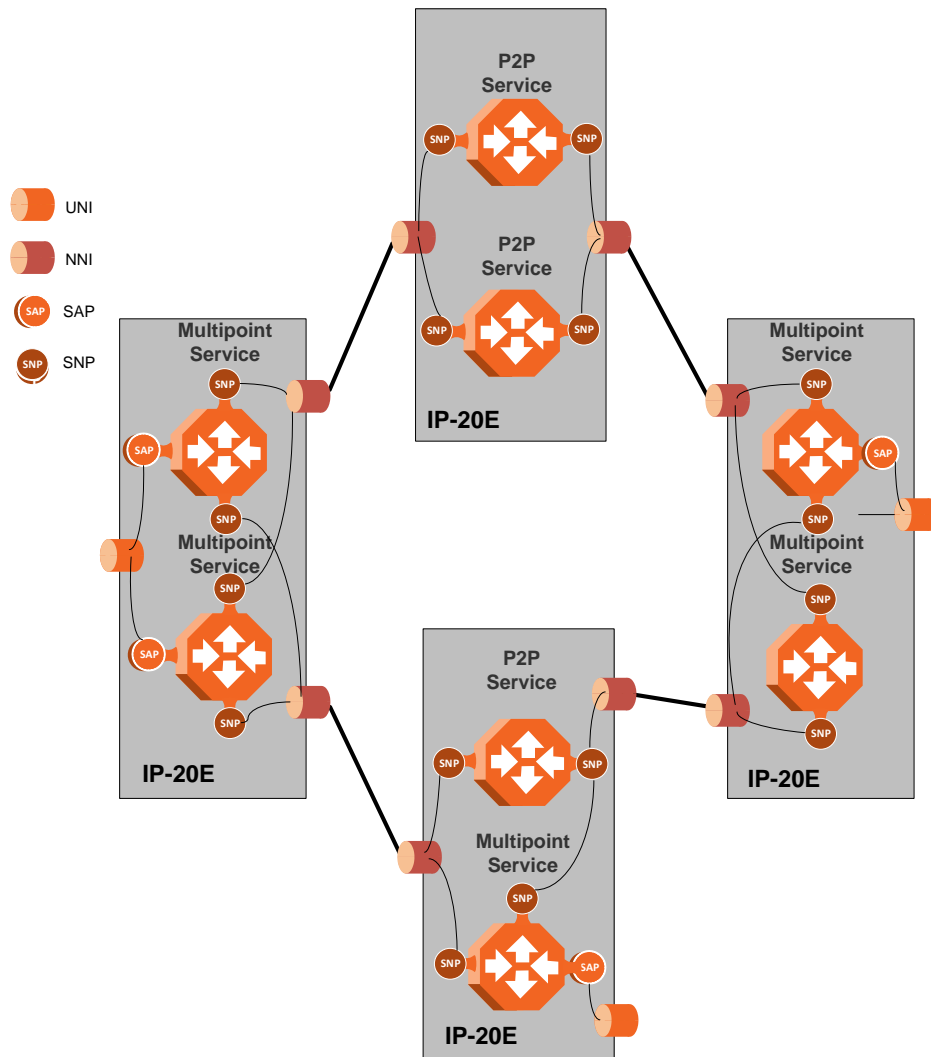


Figure 47: IP-20E Services Model

The IP-20E services core provides for fully flexible C-VLAN and S-VLAN encapsulation, with a full range of classification and preservation options available. Service security and isolation is provided without limiting the C-VLAN reuse capabilities of different customers.

Users can define up to 64 services on a single IP-20E. Each service constitutes a virtual bridge that defines the connectivity and behavior among the network element interfaces for the specific virtual bridge. In addition to user-defined services, IP-20E contains a pre-defined management service (Service ID 257). If needed, users can activate the management service and use it for in-band management.

To define a service, the user must configure virtual connections among the interfaces that belong to the service. This is done by configuring service points (SPs) on these interfaces.

A service can hold up to 32 service points. A service point is a logical entity attached to a physical or logical interface. Service points define the movement of frames through the service. Each service point includes both ingress and egress attributes.

**Note:** Management services can hold up to 30 SPs.

The following figure illustrates the IP-20E services model, with traffic entering and leaving the network element. IP-20E’s switching fabric is designed to provide a high degree of flexibility in the definition of services and the treatment of data flows as they pass through the switching fabric.

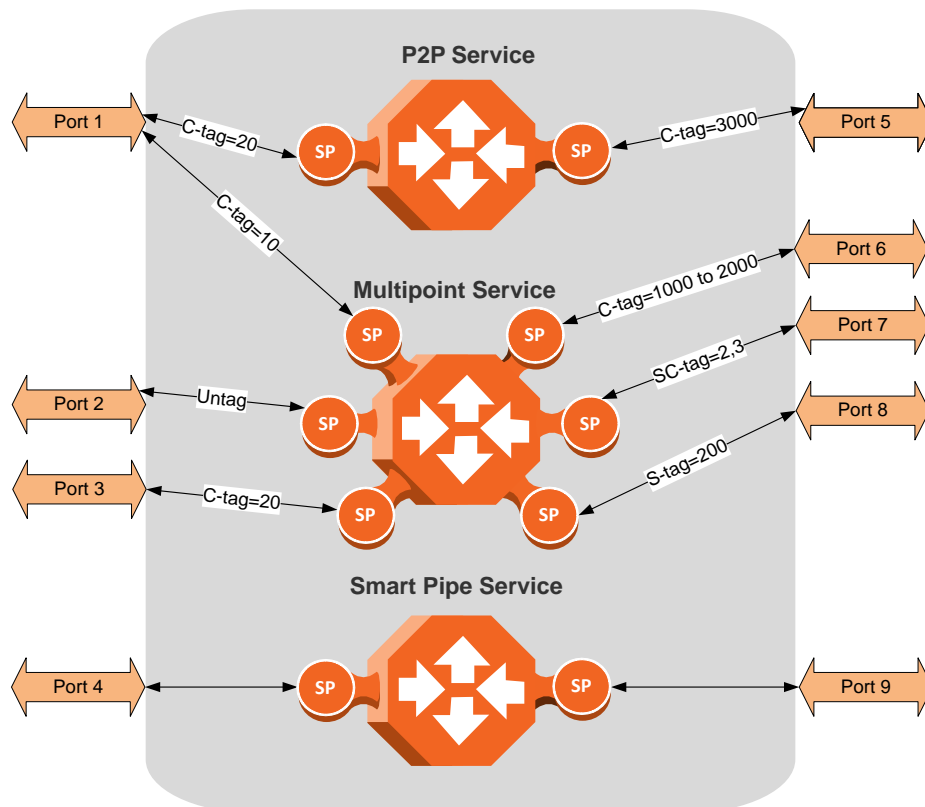


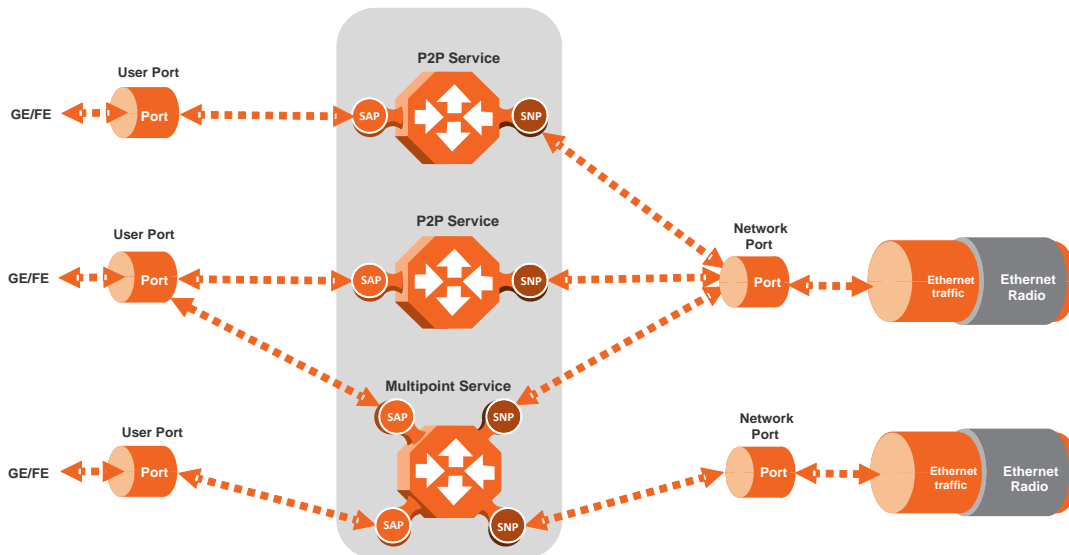
Figure 48: IP-20E Services Core

### 5.2.4.1 Frame Classification to Service Points and Services

Each arriving frame is classified to a specific service point, based on a key that consists of:

- The Interface ID of the interface through which the frame entered the IP-20E.
- The frame’s C-VLAN and/or S-VLAN tags.

If the classification mechanism finds a match between the key of the arriving frame and a specific service point, the frame is associated to the specific service to which the service point belongs. That service point is called the ingress service point for the frame, and the other service points in the service are optional egress service points for the frame. The frame is then forwarded from the ingress service point to an egress service point by means of flooding or dynamic address learning in the specific service. Services include a MAC entry table of up to 131,072 entries, with a global aging timer and a maximum learning limiter that are configurable per-service.



Service Types Figure 49: IP-20E Services Flow

### 5.2.4.2

IP-20E supports the following service types:

- Point-to-Point Service (P2P)
- MultiPoint Service (MP)
- Management Service
- Point-to-Multipoint Service (E-Tree)

**Note:** Support for E-Tree services is planned for future release.

### Point to Point Service (P2P)

Point-to-point services are used to provide connectivity between two interfaces of the network element. When traffic ingresses via one side of the service, it is immediately directed to the other side according to ingress and egress tunneling rules. This type of service contains exactly two service points and does not require MAC address-based learning or forwarding. Since the route is clear, the traffic is tunneled from one side of the service to the other and vice versa.

The following figure illustrates a P2P service.

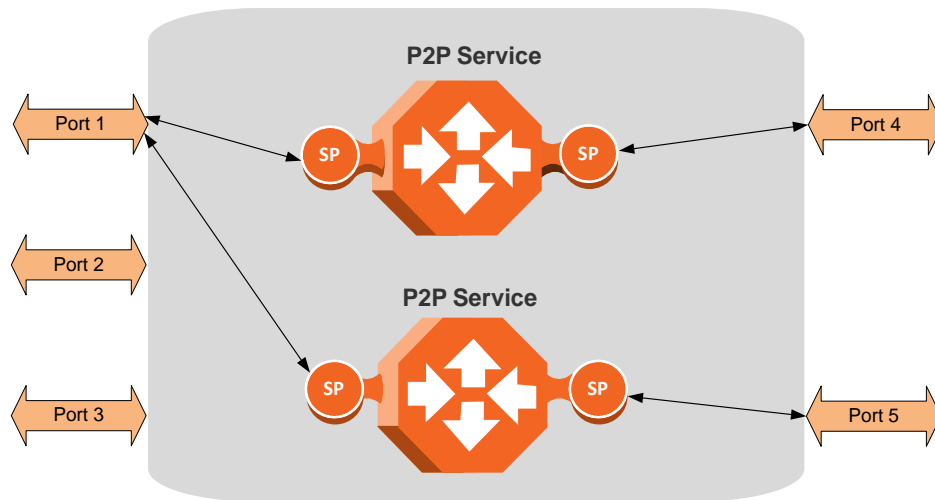


Figure 50: Point-to-Point Service

P2P services provide the building blocks for network services such as E-Line EVC (EPL and EVPL EVCs) and port-based services (Smart Pipe).

### Multipoint Service (MP)

Multipoint services are used to provide connectivity between two or more service points. When traffic ingresses via one service point, it is directed to one of the service points in the service, other than the ingress service point, according to ingress and egress tunneling rules, and based on the learning and forwarding mechanism. If the destination MAC address is not known by the learning and forwarding mechanism, the arriving frame is flooded to all the other service points in the service except the ingress service point.

The following figure illustrates a Multipoint service.

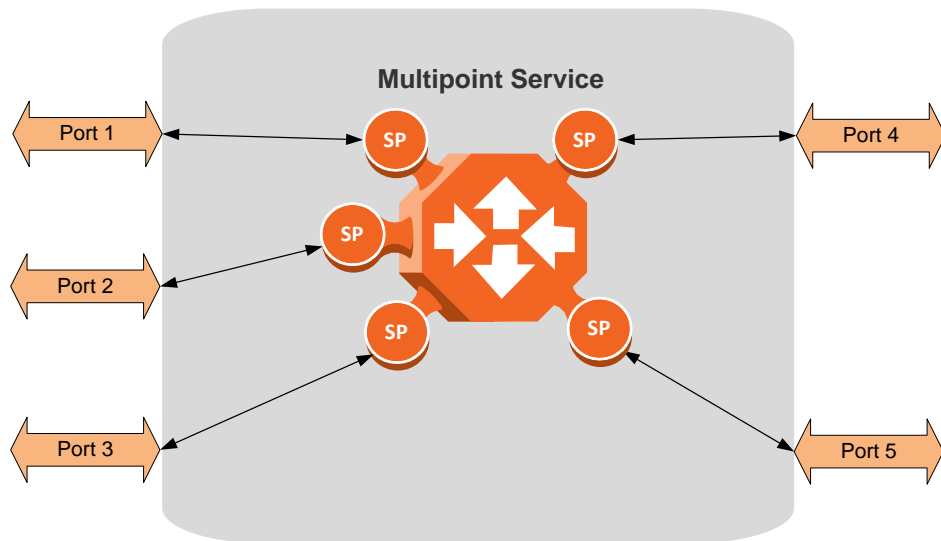


Figure 51: Multipoint Service

Multipoint services provide the building blocks for network services such as E-LAN EVCs (EP-LAN and EVP-LAN EVCs), and for E-Line EVCs (EPL and EVPL EVCs) in which only two service points are active. In such a case, the user can disable MAC address learning in the service points to conserve system resources.

#### Learning and Forwarding Mechanism

IP-20E can learn up to 131,072 Ethernet source MAC addresses. IP-20E performs learning per service in order to enable the use of 64 virtual bridges in the network element. If necessary due to security issues or resource limitations, users can limit the size of the MAC forwarding table. The maximum size of the MAC forwarding table is configurable per service in granularity of 16 entries.

When a frame arrives via a specific service point, the learning mechanism checks the MAC forwarding table for the service to which the service point belongs to determine whether that MAC address is known to the service. If the MAC address is not found, the learning mechanism adds it to the table under the specific service.

In parallel with the learning process, the forwarding mechanism searches the service's MAC forwarding table for the frame's destination MAC address. If a match is found, the frame is forwarded to the service point associated with the MAC address. If not, the frame is flooded to all service points in the service.

The following table illustrates the operation of the learning and forwarding mechanism.

*Table 13: Ethernet Services Learning and Forwarding*

MAC Forwarding Table			
Input Key for learning / forwarding (search) operation		Result	Entry type
Service ID	MAC address	Service Point	
13	00:34:67:3a:aa:10	15	dynamic
13	00:0a:25:33:22:12	31	dynamic
28	00:0a:25:11:12:55	31	static
55	00:0a:25:33:22:12	15	dynamic
55	00:c3:20:57:14:89	31	dynamic
55	00:0a:25:11:12:55	31	dynamic

In addition to the dynamic learning mechanism, users can add static MAC addresses for static routing in each service. These user entries are not considered when determining the maximum size of the MAC forwarding table.

Users can manually clear all the dynamic entries from the MAC forwarding table. Users can also delete static entries per service.

The system also provides an automatic flush process. An entry is erased from the table as a result of:

- The global aging time expires for the entry.
- Loss of carrier occurs on the interface with which the entry is associated.
- Resiliency protocols, such as MSTP or G.8032.

### Management Service (MNG)

The management service connects the local management port, the network element host CPU, and the traffic ports into a single service. The management service is pre-defined in the system, with Service ID 257. The pre-defined management service has a single service point that connects the service to the network element host CPU and the management port. To configure in-band management over multiple network elements, the user must connect the management service to the network by adding a service point on an interface that provides the required network connectivity.

Users can modify the attributes of the management service, but cannot delete it. The CPU service point is read-only and cannot be modified. The local management port is also connected to the service, but its service point is not visible to users. The management port is enabled by default and cannot be disabled.

The following figure illustrates a management service.

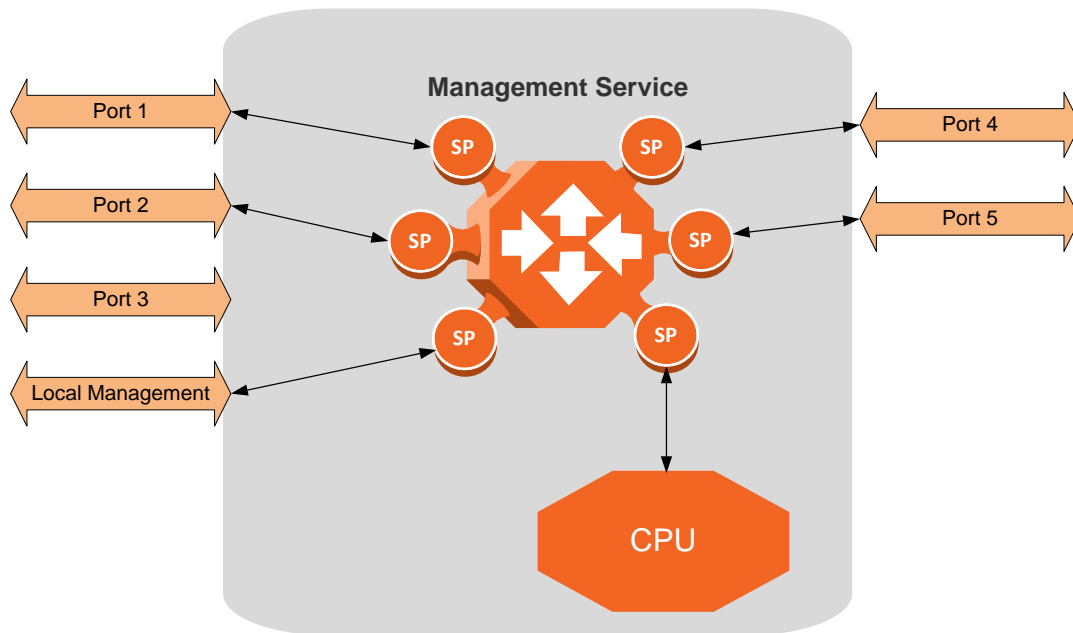


Figure 52: Management Service

Management services can provide building blocks for network services such as E-LAN EVCs (EP-LAN and EVP-LAN), as well as E-Line EVCs (EPL and EVPL EVCs) in which only two service points are active.

### Service Attributes

IP-20E services have the following attributes:

- **Service ID** – A unique ID that identifies the service. The user must select the Service ID upon creating the service. The Service ID cannot be edited after the service has been created. Service ID 257 is reserved for the pre-defined Management service.
- **Service Type** – Determines the specific functionality that will be provided for Ethernet traffic using the service. For example, a Point-to-Point service provides traffic forwarding between two service points, with no need to learn a service topology based on source and destination MAC addresses. A Multipoint service enables operators to create an E-LAN service that includes several service points.
- **Service Admin Mode** – Defines whether or not the service is functional, i.e., able to receive and transmit traffic. When the Service Admin Mode is set to Operational, the service is fully functional. When the Service Admin Mode is set to Reserved, the service occupies system resources but is unable to transmit and receive data.
- **EVC-ID** – The Ethernet Virtual Connection ID (end-to-end). This parameter does not affect the network element’s behavior, but is used by the NMS for topology management.



- **EVC Description** – The Ethernet Virtual Connection description. This parameter does not affect the network element’s behavior, but is used by the NMS for topology management.
- **Maximum Dynamic MAC Address Learning per Service** – Defines the maximum number of dynamic Ethernet MAC address that the service can learn. This parameter is configured with a granularity of 16, and only applies to dynamic, not static, MAC addresses.
- **Static MAC Address Configuration** – Users can add static entries to the MAC forwarding table. The global aging time does not apply to static entries, and they are not counted with respect to the Maximum Dynamic MAC Address Learning. It is the responsibility of the user not to use all the 131,072 entries in the table if the user also wants to utilize dynamic MAC address learning.
- **CoS Mode** – Defines whether the service inherits ingress classification decisions made at previous stages or overwrites previous decisions and uses the default CoS defined for the service. For more details on IP-20E’s hierarchical classification mechanism, refer to *Classification* on page 111.
- **Default CoS** – The default CoS value at the service level. If the CoS Mode is set to overwrite previous classification decisions, this is the CoS value used for frames entering the service.
- **xSTP Instance (0-46, 4095)** – The spanning tree instance ID to which the service belongs. The service can be a traffic engineering service (instance ID 4095) or can be managed by the xSTP engines of the network element.

### 5.2.4.3 Service Points

Service points are logical entities attached to the interfaces that make up the service. Service points define the movement of frames through the service. Without service points, a service is simply a virtual bridge with no ingress or egress interfaces.

IP-20E supports several types of service points:

- Management (MNG) Service Point** – Only used for management services. The following figure shows a management service used for in-band management among four network elements in a ring. In this example, each service contains three MNG service points, two for East-West management connectivity in the ring, and one serving as the network gateway.

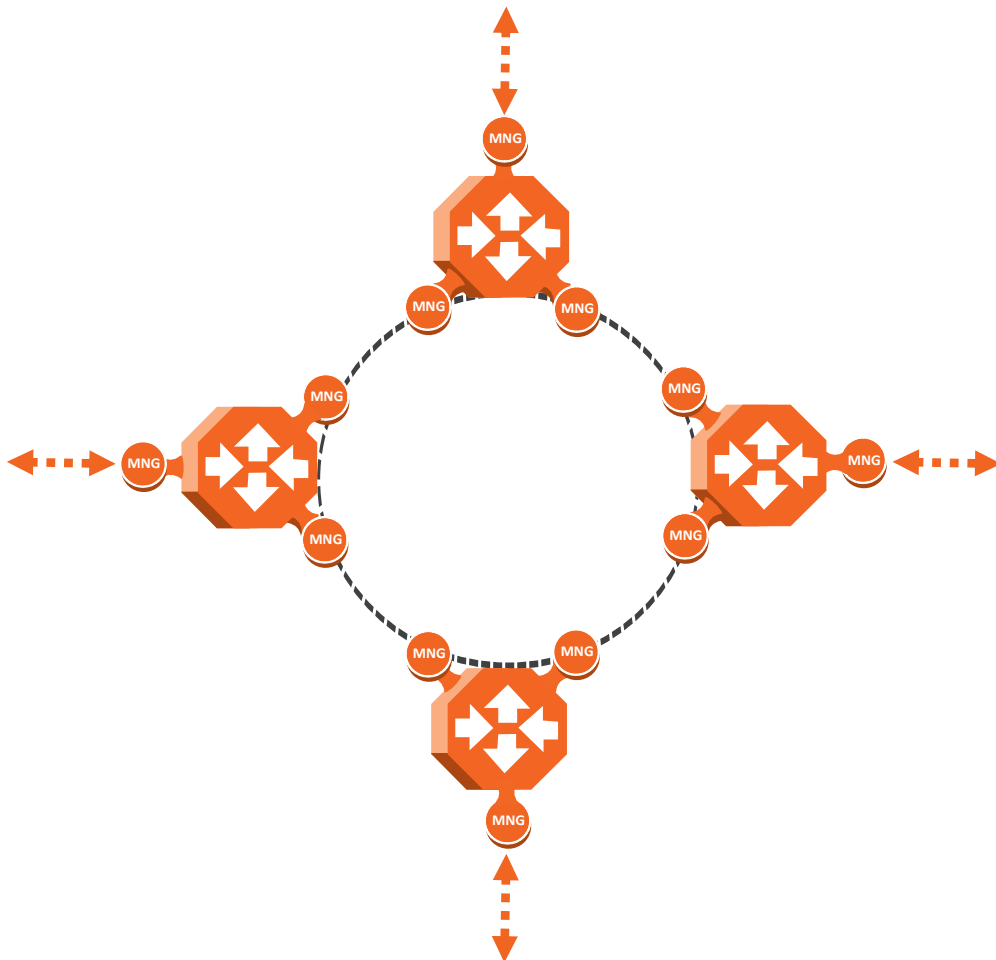


Figure 53: Management Service and its Service Points

- Service Access Point (SAP) Service Point** – An SAP is equivalent to a UNI in MEF terminology and defines the connection of the user network with its access points. SAPs are used for Point-to-Point and Multipoint traffic services.

- **Service Network Point (SNP) Service Point** – An SNP is equivalent to an NNI or E-NNI in MEF terminology and defines the connection between the network elements in the user network. SNPs are used for Point-to-Point and Multipoint traffic services.

The following figure shows four network elements in ring. An MP Service with three service points provides the connectivity over the network. The SNPs provide the connectivity among the network elements in the user network while the SAPs provide the access points for the network.

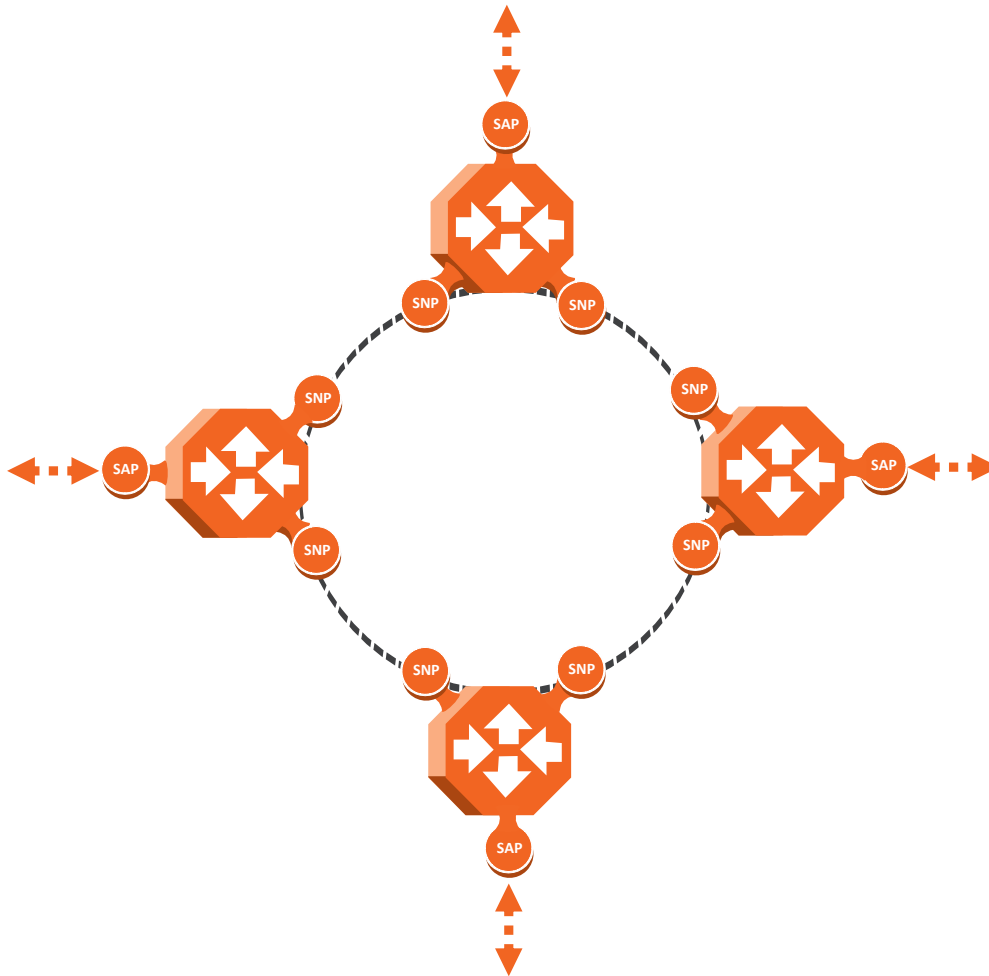


Figure 54: SAPs and SNPs

- **Pipe Service Point** – Used to create traffic connectivity between two points in a port-based manner (Smart Pipe). In other words, all the traffic from one port passes to the other port. Pipe service points are used in Point-to-Point services.

The following figure shows a Point-to-Point service with Pipe service points that create a Smart Pipe between Port 1 of the network element on the left and Port 2 of the network element on the right.



Figure 55: Pipe Service Points

The following figure shows the usage of SAP, SNP and Pipe service points in a microwave network. The SNPs are used for interconnection between the network elements while the SAPs provide the access points for the network. A Smart Pipe is also used, to provide connectivity between elements that require port-based connectivity.

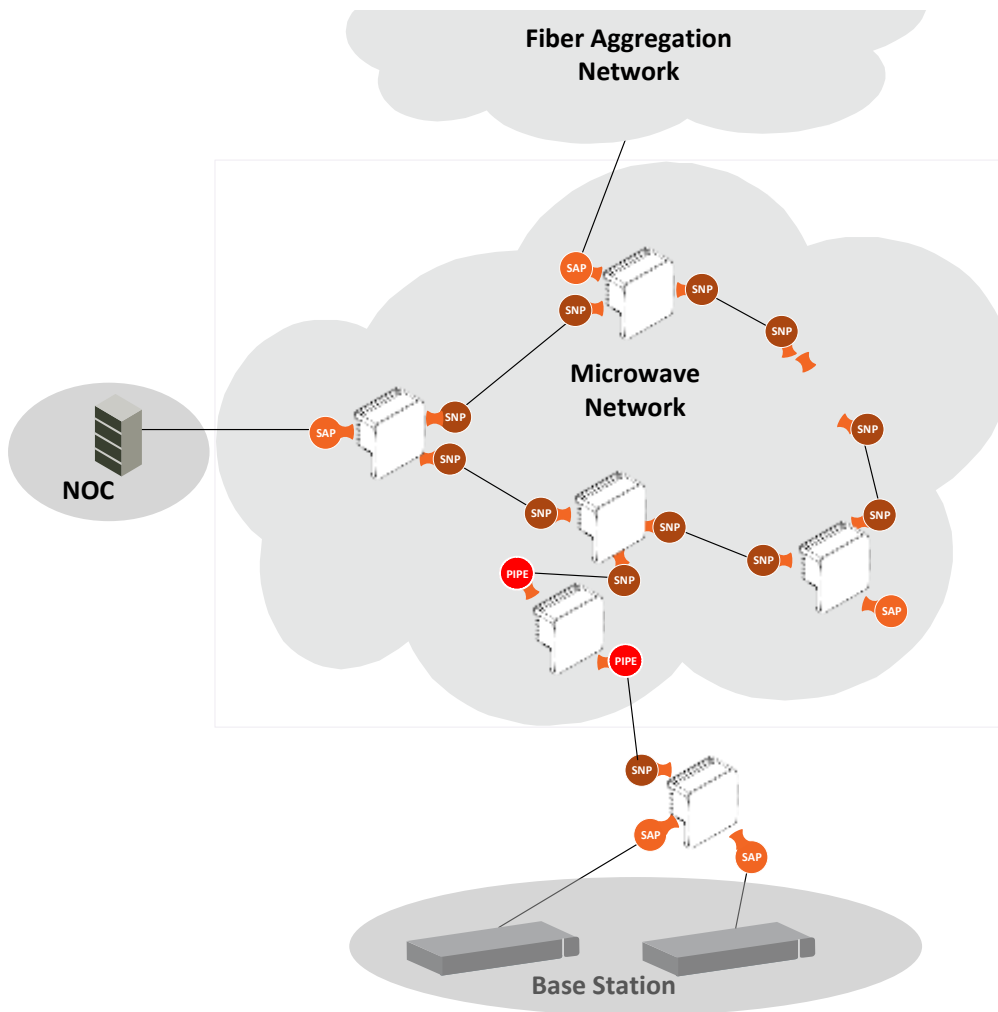


Figure 56: SAP, SNP and Pipe Service Points in a Microwave Network

The following table summarizes the service point types available per service type.

*Table 14: Service Point Types per Service Type*

		Service point type			
		MNG	SAP	SNP	Pipe
Service Type	Management	Yes	No	No	No
	Point-to-Point	No	Yes	Yes	Yes
	Multipoint	No	Yes	Yes	No

### Service Point Classification

As explained above, service points connect the service to the network element interfaces. It is crucial that the network element have a means to classify incoming frames to the proper service point. This classification process is implemented by means of a parsing encapsulation rule for the interface associated with the service point. This rule is called the Attached Interface Type, and is based on a three-part key consisting of:

- The Interface ID of the interface through which the frame entered.
- The frame’s C-VLAN and/or S-VLAN tags.

The Attached Interface Type provides a definitive mapping of each arriving frame to a specific service point in a specific service. Since more than one service point may be associated with a single interface, frames are assigned to the earliest defined service point in case of conflict.

### SAP Classification

SAPs can be used with the following Attached Interface Types:

- **All to one** – All C-VLANs and untagged frames that enter the interface are classified to the same service point.
- **Dot1q** – A single C-VLAN is classified to the service point.
- **QinQ** – A single S-VLAN and C-VLAN combination is classified to the service point.
- **Bundle C-Tag**– A set of multiple C-VLANs are classified to the service point.
- **Bundle S-Tag** – A single S-VLAN and a set of multiple C-VLANs are classified to the service point.

### SNP classification

SNPs can be used with the following Attached Interface Types:

- **Dot1q** – A single C VLAN is classified to the service point.
- **S-Tag** – A single S- VLAN is classified to the service point.

**PIPE classification**

Pipe service points can be used with the following Attached Interface Types:

- **Dot1q** – All C-VLANs and untagged frames that enter the interface are classified to the same service point.
- **S-Tag** – All S-VLANs and untagged frames that enter the interface are classified to the same service point.

**MNG classification**

Management service points can be used with the following Attached Interface Types:

- **Dot1q** – A single C-VLAN is classified to the service point.
- **S-Tag** – A single S-VLAN is classified to the service point.
- **QinQ** – A single S-VLAN and C-VLAN combination is classified into the service point.

The following table shows which service point types can co-exist on the same interface.

*Table 15: Service Point Types that can Co-Exist on the Same Interface*

	<b>MNG SP</b>	<b>SAP SP</b>	<b>SNP SP</b>	<b>Pipe SP</b>
<b>MNG SP</b>	Only one MNG SP is allowed per interface.	Yes	Yes	Yes
<b>SAP SP</b>	Yes	Yes	No	No
<b>SNP SP</b>	Yes	No	Yes	No
<b>PIPE SP</b>	Yes	No	No	Only one Pipe SP is allowed per interface.

The following table shows in more detail which service point – Attached Interface Type combinations can co-exist on the same interface.

Table 16: Service Point Type-Attached Interface Type Combinations that can Co-Exist on the Same Interface

SP Type	SP Type	SAP				SNP			Pipe		MNG		
	Attached Interface Type	802.1q	Bundle C-Tag	Bundle S-Tag	All to One	QinQ	802.1q	S-Tag	802.1q	S-Tag	802.1q	QinQ	S-Tag
SAP	802.1q	Yes	Yes	No	No	No	No	No	Only for P2P Service	No	Yes	No	No
	Bundle C-Tag	Yes	Yes	No	No	No	No	No	Only for P2P Service	No	Yes	No	No
	Bundle S-Tag	No	No	Yes	No	Yes	No	No	No	No	No	Yes	No
	All to One	No	No	No	Only 1 All to One SP Per Interface	No	No	No	No	No	No	No	No
	QinQ	No	No	Yes	No	Yes	No	No	No	No	No	Yes	No
SNP	802.1q	No	No	No	No	No	Yes	No	Only for P2P Service	No	Yes	No	No
	S-Tag	No	No	No	No	No	No	Yes	No	Only for P2P Service	No	No	Yes
Pipe	802.1q	Only for P2P Service	Only for P2P Service	No	No	No	Only for P2P Service	No	Only one Pipe SP Per Interface	No	Yes	No	No
	S-Tag	No	No	No	No	No	No	Only for P2P Service	No	Only one Pipe SP Per Interface	No	No	Yes
MNG	802.1q	Yes	Yes	No	No	No	Yes	No	Yes	No	No	No	No
	QinQ	No	No	Yes	No	Yes	No	No	No	No	No	No	No
	S-Tag	No	No	No	No	No	No	Yes	No	Yes	No	No	No

### Service Point Attributes

As described above, traffic ingresses and egresses the service via service points. The service point attributes are divided into two types:

- **Ingress Attributes** – Define how frames are handled upon ingress, e.g., policing and MAC address learning.
- **Egress Attributes** – Define how frames are handled upon egress, e.g., preservation of the ingress CoS value upon egress, VLAN swapping.

The following figure shows the ingress and egress path relationship on a point-to-point service path. When traffic arrives via port 1, the system handles it using service point 1 ingress attributes then forwards it to service point 2 and handles it using the SP2 egress attributes:

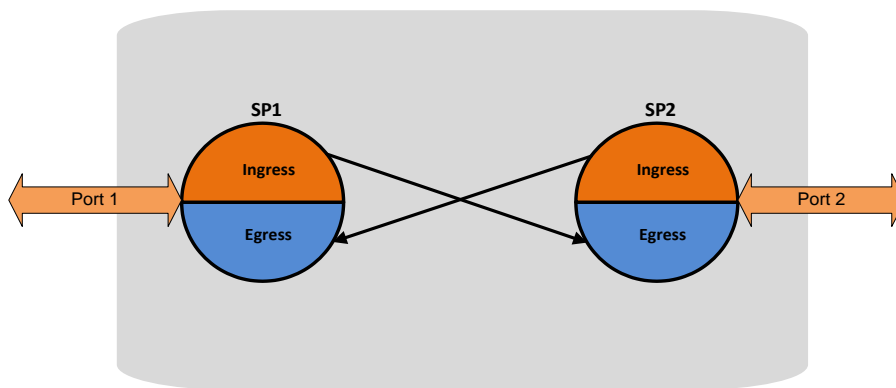


Figure 57: Service Path Relationship on Point-to-Point Service Path

Service points have the following attributes:

#### General Service Point Attributes

- **Service Point ID** – Users can define up to 32 service points per service, except for management services which are limited to 30 service points in addition to the pre-defined management system service point.
- **Service Point Name** – A descriptive name, which can be up to 20 characters.
- **Service Point Type** – The type of service point, as described above.
- **S-VLAN Encapsulation** – The S-VLAN ID associated with the service point.
- **C-VLAN Encapsulation** – The C-VLAN ID associated with the service point.
- **Attached C VLAN** – For service points with an Attached Interface Type of Bundle C-Tag, this attribute is used to create a list of C-VLANs associated with the service point.
- **Attached S-VLAN** – For service points with an Attached Interface Type of Bundle S-Tag, this attribute is used to create a list of S-VLANs associated with the service point.



### Ingress Service Point Attributes

The ingress attributes are attributes that operate upon frames when they ingress via the service point.

- **Attached Interface Type** – The interface type to which the service point is attached, as described above. Permitted values depend on the service point type.
- **Learning Administration** – Enables or disables MAC address learning for traffic that ingresses via the service point. This option enables users to enable or disable MAC address learning for specific service points.
- **Allow Broadcast** – Determines whether to allow frames to ingress the service via the service point when the frame has a broadcast destination MAC address.
- **Allow Flooding** – Determines whether incoming frames with unknown MAC addresses are forwarded to other service points via flooding.
- **CoS Mode** – Determines whether the service point preserves the CoS decision made at the interface level, overwrites the CoS with the default CoS for the service point.
- **Default CoS** – The service point CoS. If the CoS Mode is set to overwrite the CoS decision made at the interface level, this is the CoS value assigned to frames that ingress the service point.
- **Token Bucket Profile** – This attribute can be used to attach a rate meter profile to the service point. Permitted values are 1– 250.
- **CoS Token Bucket Profile** – This attribute can be used to attach a rate meter profile to the service point at the CoS level. Users can define a rate meter for each of the eight CoS values of the service point. Permitted values are 1-250 for CoS 0–7.
- **CoS Token Bucket Admin** – Enables or disables the rate meter at the service point CoS level.

### Egress Service Point Attributes

The egress attributes are attributes that operate upon frames egressing via the service point.

- **C-VLAN ID Egress Preservation** – If enabled, C-VLAN frames egressing the service point retain the same C-VLAN ID they had when they entered the service.
- **C-VLAN CoS Egress Preservation** – If enabled, the C-VLAN CoS value of frames egressing the service point is the same as the value when the frame entered the service.
- **S-VLAN CoS Egress Preservation** – If enabled, the S-VLAN CoS value of frames egressing the service point is the same as the value when the frame entered the service.

- **Marking** – Marking refers to the ability to overwrite the outgoing priority bits and Color of the outer VLAN of the egress frame, either the C-VLAN or the S-VLAN. If marking is enabled, the service point overwrites the outgoing priority bits and Color of the outer VLAN of the egress frame. Marking mode is only relevant if either the outer frame is S-VLAN and S-VLAN CoS preservation is disabled, or the outer frame is C-VLAN and C-VLAN CoS preservation is disabled. When marking is enabled and active, marking is performed according to global mapping tables that map the 802.1p-UP bits and the DEI or CFI bit to a defined CoS and Color value.
- **Service Bundle ID** – This attribute can be used to assign one of the available service bundles from the H-QoS hierarchy queues to the service point. This enables users to personalize the QoS egress path. For details, refer to *Standard QoS and Hierarchical QoS (H-QoS)* on page 125.

### 5.2.5 Ethernet Interfaces

The IP-20E switching fabric distinguishes between physical interfaces and logical interfaces. Physical and logical interfaces serve different purposes in the switching fabric.

The concept of a physical interface refers to the physical characteristics of the interface, such as speed, duplex, auto-negotiation, master/slave, and standard RMON statistics.

A logical interface can consist of a single physical interface or a group of physical interfaces that share the same function. Examples of the latter are protection groups and link aggregation groups. Switching and QoS functionality are implemented on the logical interface level.

It is important to understand that the IP-20E switching fabric regards all traffic interfaces as regular physical interfaces, distinguished only by the media type the interface uses, e.g., RJ-45, SFP, or Radio.

From the user’s point of view, the creation of the logical interface is simultaneous with the creation of the physical interface. For example, when the user enables a radio interface, both the physical and the logical radio interface come into being at the same time.

Once the interface is created, the user configures both the physical and the logical interface. In other words, the user configures the same interface on two levels, the physical level and the logical level.

The following figure shows physical and logical interfaces in a one-to-one relationship in which each physical interface is connected to a single logical interface, without grouping.

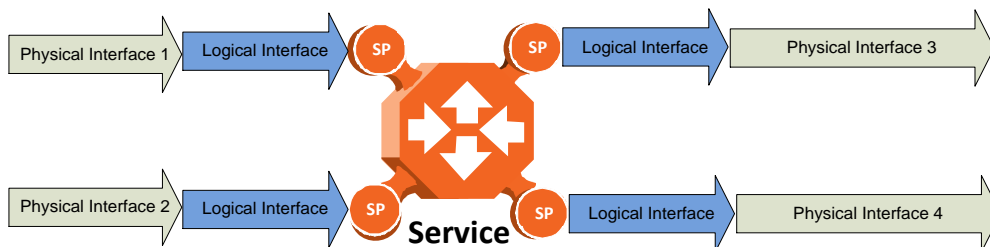


Figure 58: Physical and Logical Interfaces

**Note:** For simplicity only, this figure represents a uni-directional rather than a bi-directional traffic flow.

The next figure illustrates the grouping of two or more physical interfaces into a logical interface, a link aggregation group (LAG) in this example. The two physical interfaces on the ingress side send traffic into a single logical interface. The user configures each physical interface separately, and configures the logical interface as a single logical entity. For example, the user might configure each physical interface to 100 Mbps, full duplex, with auto-negotiation off. On the group level, the user might limit the group to a rate of 200 Mbps by configuring the rate meter on the logical interface level.

When physical interfaces are grouped into a logical interface, IP-20E also shows standard RMON statistics for the logical interface, i.e., for the group. This information enables users to determine the cumulative statistics for the group, rather than having to examine the statistics for each interface individually.

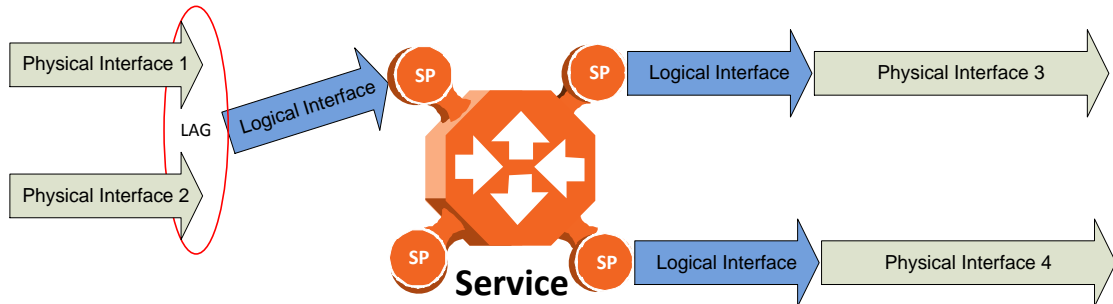


Figure 59: Grouped Interfaces as a Single Logical Interface on Ingress Side

**Note:** For simplicity only, this figure represents a uni-directional rather than a bi-directional traffic flow.

The following figure shows the logical interface at the egress side. In this case, the user can configure the egress traffic characteristics, such as scheduling, for the group as a whole as part of the logical interface attributes.



Figure 60: Grouped Interfaces as a Single Logical Interface on Egress Side

**Note:** For simplicity only, this figure represents a uni-directional rather than a bi-directional traffic flow.

### 5.2.5.1 Physical Interfaces

The physical interfaces refer to the real traffic ports (layer 1) that are connected to the network. The Media Type attribute defines the Layer 1 physical traffic interface type, which can be:

- Radio interface
- RJ-45 or SFP Ethernet interface.

### Physical Interface Attributes

The following physical interface parameters can be configured by users:

- **Admin** – Enables or disables the physical interface. This attribute is set via the Interface Manager section of the Web EMS.
- **Auto Negotiation** – Enables or disables auto-negotiation on the physical interface. Auto Negotiation is always off for radio and SFP interfaces.
- **Speed and Duplex** – The physical interface speed and duplex mode. Permitted values are:
  - **Ethernet RJ-45 interfaces:** 10Mbps HD, 10Mbps FD, 100Mbps HD, 100Mbps FD, and 1000Mbps FD.
  - **Ethernet SFP interfaces:** Only 1000FD is supported
  - **Radio interfaces:** The parameter is read-only and set by the system to 1000FD.
- **Flow Control** – The physical port flow control capability. Permitted values are: Symmetrical Pause and/or Asymmetrical Pause. This parameter is only relevant in Full Duplex mode.<sup>17</sup>
- **IFG** – The physical port Inter-frame gap. Although users can modify the IFG field length, it is strongly recommended not to modify the default value of 12 bytes without a thorough understanding of how the modification will impact traffic. Permitted values are 6 to 15 bytes.
- **Preamble** – The physical port preamble value. Although users can modify the preamble field length, it is strongly recommended not to modify the default values of 8 bytes without a thorough understanding of how the modification will impact traffic. Permitted values are 6 to 15 bytes.
- **Interface description** – A text description of the interface, up to 40 characters.

The following read-only physical interface status parameters can be viewed by users:

- **Operational State** – The operational state of the physical interface (Up or Down).
- **Actual Speed and Duplex** – The actual speed and duplex value for the Ethernet link as agreed by the two sides of the link after the auto negotiation process.
- **Actual Flow Control State** – The actual flow control state values for the Ethernet link as agreed by the two sides after the auto negotiation process.
- **Actual Physical Mode** (only relevant for RJ-45 interfaces) – The actual physical mode (master or slave) for the Ethernet link, as agreed by the two sides after the auto negotiation process.

---

<sup>17</sup> This functionality is planned for future release.

### Ethernet Statistics

The FibeAir IP-20E platform stores and displays statistics in accordance with RMON and RMON2 standards.

Users can display various peak TX and RX rates (in seconds) and average TX and RX rates (in seconds), both in bytes and in packets, for each measured time interval. Users can also display the number of seconds in the interval during which TX and RX rates exceeded the configured threshold.

The following transmit statistic counters are available:

- Transmitted bytes (not including preamble) in good or bad frames. Low 32 bits.
- Transmitted bytes (not including preamble) in good or bad frames. High 32 bits.
- Transmitted frames (good or bad)
- Multicast frames (good only)
- Broadcast frames (good only)
- Control frames transmitted
- Pause control frame transmitted
- FCS error frames
- Frame length error
- Oversized frames – frames with length > 1518 bytes (1522 bytes for VLAN-tagged frames) without errors
- Undersized frames (good only)
- Fragments frames (undersized bad)
- Jabber frames – frames with length > 1518 bytes (1522 for VLAN-tagged frames) with errors
- Frames with length 64 bytes, good or bad
- Frames with length 65-127 bytes, good or bad
- Frames with length 128-255 bytes, good or bad
- Frames with length 256-511 bytes, good or bad
- Frames with length 512-1023 bytes, good or bad.
- Frames with length 1024-1518 bytes, good or bad
- Frames with length 1519-1522 bytes, good or bad

The following receive statistic counters are available:

- Received bytes (not including preamble) in good or bad frames. Low 32 bits.
- Received bytes (not including preamble) in good or bad frames. High 32 bits.
- Received frames (good or bad)
- Multicast frames (good only)
- Broadcast frames (good only)
- Control frames received
- Pause control frame received
- FCS error frames

- Frame length error
- Code error
- Counts oversized frames – frames with length > 1518 bytes (1522 bytes for VLAN-tagged frames) without errors *and* frames with length > MAX\_LEN without errors
- Undersized frames (good only)
- Fragments frames (undersized bad)
- Counts jabber frames – frames with length > 1518 bytes (1522 for VLAN-tagged frames) with errors
- Frames with length 64 bytes, good or bad
- Frames with length 65-127 bytes, good or bad
- Frames with length 128-255 bytes, good or bad
- Frames with length 256-511 bytes, good or bad
- Frames with length 512-1023 bytes, good or bad
- Frames with length 1024-1518 bytes, good or bad
- VLAN-tagged frames with length 1519-1522 bytes, good or bad
- Frames with length > MAX\_LEN without errors
- Frames with length > MAX\_LEN with errors

#### 5.2.5.2 Logical Interfaces

A logical interface consists of one or more physical interfaces that share the same traffic ingress and egress characteristics. From the user's point of view, it is more convenient to define interface behavior for the group as a whole than for each individual physical interface that makes up the group. Therefore, classification, QoS, and resiliency attributes are configured and implemented on the logical interface level, in contrast to attributes such as interface speed and duplex mode, which are configured on the physical interface level.

It is important to understand that the user relates to logical interfaces in the same way in both a one-to-one scenario in which a single physical interface corresponds to a single logical interface, and a grouping scenario such as a link aggregation group or a radio protection group, in which several physical interfaces correspond to a single logical interface.

The following figure illustrates the relationship of a LAG group to the switching fabric. From the point of view of the user configuring the logical interface attributes, the fact that there are two Ethernet interfaces is not relevant. The user configures and manages the logical interface just as if it represented a single Ethernet interface.

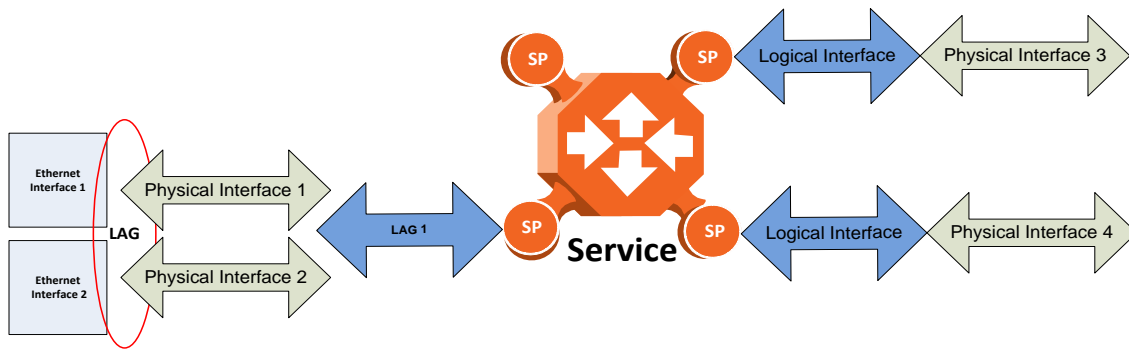


Figure 61: Relationship of Logical Interfaces to the Switching Fabric

### Logical Interface Attributes

The following logical interface attributes can be configured by users:

#### General Attributes

- **Traffic Flow Administration** – Enables traffic via the logical interface. This attribute is useful when the user groups several physical interfaces into a single logical interface. The user can enable or disable traffic to the group using this parameter.

#### Ingress Path Classification at Logical Interface Level

These attributes represent part of the hierarchical classification mechanism, in which the logical interface is the lowest point in the hierarchy.

- **VLAN ID** – Users can specify a specific CoS and Color for a specific VLAN ID. In the case of double-tagged frames, the match must be with the frame’s outer VLAN. Permitted values are CoS 0 to 7 and Color Green or Yellow per VLAN ID. This is the highest classification priority on the logical interface level, and overwrites any other classification criteria at the logical interface level.
- **802.1p Trust Mode** – When this attribute is set to Trust mode and the arriving packet is 802.1Q or 802.1AD, the interface performs QoS and Color classification according to user-configurable tables for 802.1q UP bit (C-VLAN frames) or 802.1AD UP bit (S-VLAN frames) to CoS and Color classification.
- **MPLS Trust Mode** – When this attribute is set to Trust mode and the arriving packet has MPLS EXP priority bits, the interface performs QoS and Color classification according to a user-configurable MPLS EXP bit to CoS and Color classification table. Both 802.1p and DSCP classification have priority over MPLS Trust Mode, so that if a match is found on either the 802.1p or DSCP levels, MPLS bits are not considered.
- **IP DSCP Trust Mode** –When this attribute is set to Trust mode and the arriving packet has IP priority bits, the interface performs QoS and Color classification according to a user-configurable DSCP bit to CoS and Color classification table. 802.1p classification has priority over DSCP Trust Mode, so that if a match is found on the 802.1p level, DSCP bits are not considered.



- **Default CoS** – The default CoS value for frames passing through the interface. This value can be overwritten on the service point and service level. The Color is assumed to be Green.

For more information about classification at the logical interface level, refer to *Logical Interface-Level Classification* on page 112.

#### Ingress Path Rate Meters at Logical Interface Level

- **Unicast Traffic Rate Meter Admin** – Enables or disables the unicast rate meter (policer) on the logical interface.
- **Unicast Traffic Rate Meter Profile** – Associates the rate meter (policer) with a specific rate meter (policer) profile.
- **Multicast Traffic Rate Meter Admin** – Enables or disables the multicast rate meter (policer) on the logical interface.
- **Multicast Traffic Rate Meter Profile** – Associates the rate meter (policer) with a specific rate meter (policer) profile.
- **Broadcast Traffic Rate Meter Admin** – Enables or disables the broadcast rate meter (policer) on the logical interface.
- **Broadcast Traffic Rate Meter Profile** – Associates the rate meter (policer) with a specific rate meter (policer) profile.
- **Ethertype 1 Rate Meter Admin** – Enables or disables the Ethertype 1 rate meter (policer) on the logical interface.
- **Ethertype 1 Rate Meter Profile** – Associates the rate meter (policer) with a specific rate meter (policer) profile.
- **Ethertype 1 Value** – The Ethertype value to which the user wants to apply this rate meter (policer). The field length is 4 nibbles (for example, 0x0806 - ARP).
- **Ethertype 2 Rate Meter Admin** – Enables or disables the Ethertype 2 rate meter (policer) on the logical interface.
- **Ethertype 2 Rate Meter Profile** – Associates the rate meter (policer) with a specific rate meter (policer) profile.
- **Ethertype 2 Value** – The Ethertype value to which the user wants to apply the rate meter (policer). The field length is 4 nibbles (for example, 0x0806 - ARP).
- **Ethertype 3 Rate Meter Admin** – Enables or disables the Ethertype 3 rate meter (policer) on the logical interface.
- **Ethertype 3 Rate Meter Profile** – Associates the rate meter (policer) with a specific rate meter (policer) profile.
- **Ethertype 3 Value** – The Ethertype value to which the user wants to apply the rate meter (policer). The field length is 4 nibbles (for example, 0x0806 - ARP).
- **Inline Compensation** – The logical interface's ingress compensation value. The rate meter (policer) attached to the logical interface uses this value to compensate for Layer 1 non-effective traffic bytes.

#### Egress Path Shapers at Logical Interface Level

- **Logical Port Shaper Profile** – Users can assign a single leaky bucket shaper to each interface. The shaper on the interface level stops traffic from the interface if a specific user-defined peak information rate (PIR) has been exceeded.
- **Outline Compensation** – The logical interface's egress compensation value. Any shaper attached to this interface, in any layer, uses this value to compensate for Layer 1 non-effective traffic bytes. Permitted values are even numbers between 0 and 26 bytes. The default value is 0 bytes.

#### Egress Path Scheduler at Logical Interface Level

- **Logical Interface Priority Profile** – This attribute is used to attach an egress scheduling priority profile to the logical interface.
- **Logical Port WFQ Profile** – This attribute is used to attach an egress scheduling WFQ profile to the logical interface. The WFQ profile provides a means of allocating traffic among queues with the same priority.

The following read-only logical interface status parameters can be viewed by users:

- **Traffic Flow Operational Status** – Indicates whether or not the logical interface is currently functional.

#### Logical Interface Statistics

##### RMON Statistics at Logical Interface Level

As discussed in *Ethernet Statistics* on page 102, if the logical interface represents a group, such as a LAG, the IP-20E platform stores and displays RMON and RMON2 statistics for the logical interface.

##### Rate Meter (Policer) Statistics at Logical Interface Level

For the rate meter (policer) at the logical interface level, users can view the following statistics counters:

- Green Frames
- Green Bytes
- Yellow Frames
- Yellow Bytes
- Red Frames
- Red Bytes

**Note:** Rate meter (policer) counters are 64 bits wide.

## Link Aggregation Groups (LAG) and LACP

Link aggregation (LAG) enables users to group several physical interfaces into a single logical interface bound to a single MAC address. This logical interface is known as a LAG group. Traffic sent to the interfaces in a LAG group is distributed by means of a load balancing function. IP-20E uses a distribution function of up to Layer 4 in order to generate the most efficient distribution among the LAG physical ports, taking into account:

- MAC DA and MAC SA
- IP DA and IP SA
- C-VLAN
- S-VLAN
- Layer 3 Protocol Field
- UDP/TCP Source Port and Destination Port
- MPLS Label

For LAG groups that consist of exactly two interfaces, users can change the distribution function by selecting from ten pre-defined LAG distribution schemes. The feature includes a display of the TX throughput for each interface in the LAG, to help users identify the best LAG distribution scheme for their specific link.

LAG can be used to provide redundancy for Ethernet interfaces, both on the same IP-20E unit (line protection) and on separate units (line protection and equipment protection). LAGs can also be used to provide redundancy for radio links.

LAG can also be used to aggregate several interfaces in order to create a wider (aggregate) Ethernet link. For example, LAG can be used to create a 3 Gbps channel by grouping the three Ethernet interfaces to a single LAG.

A LAG group can be configured to be automatically closed in the event of LAG degradation. This option is used if the customer wants traffic from the switch to be re-routed during such time as the link is providing less than a certain capacity. When enabled, the LAG is automatically closed in the event that any one or more ports in the LAG fail. When all ports in the LAG are again operational, the LAG is automatically re-opened.

Up to four LAG groups can be created.

Link Aggregation Control Protocol (LACP) expands the capabilities of static LAG, and provides interoperability with third-party equipment that uses LACP. LACP improves the communication between LAG members. This improves error detection capabilities in situations such as improper LAG configuration or improper cabling. It also enables the LAG to detect uni-directional failure and remove the link from the LAG, preventing packet loss.

IP-20's LACP implementation does not include write parameters or churn detection.

**Note:** LACP can only be used with Ethernet interfaces.  
LACP cannot be used with Enhanced LAG Distribution or with the LAG Group Shutdown in Case of Degradation Event feature.

LAG groups can include interfaces with the following constraints:

- Only physical interfaces (including radio interfaces), not logical interfaces, can belong to a LAG group.
- Interfaces can only be added to the LAG group if no services or service points are attached to the interface.
- Any classification rules defined for the interface are overridden by the classification rules defined for the LAG group.
- When removing an interface from a LAG group, the removed interface is assigned the default interface values.

IP-20E enables users to select the LAG members without limitations, such as interface speed and interface type. Proper configuration of a LAG group is the responsibility of the user.

### 5.2.6 Quality of Service (QoS)

**Related topics:**

- Ethernet Service Model
- In-Band Management

Quality of Service (QoS) deals with the way frames are handled within the switching fabric. QoS is required in order to deal with many different network scenarios, such as traffic congestion, packet availability, and delay restrictions.

IP-20E’s personalized QoS enables operators to handle a wide and diverse range of scenarios. IP-20E’s smart QoS mechanism operates from the frame’s ingress into the switching fabric until the moment the frame egresses via the destination port.

QoS capability is very important due to the diverse topologies that exist in today’s network scenarios. These can include, for example, streams from two different ports that egress via single port, or a port-to-port connection that holds hundreds of services. In each topology, a customized approach to handling QoS will provide the best results.

The figure below shows the basic flow of IP-20E’s QoS mechanism. Traffic ingresses (left to right) via the Ethernet or radio interfaces, on the “ingress path.” Based on the services model, the system determines how to route the traffic. Traffic is then directed to the most appropriate output queue via the “egress path.”

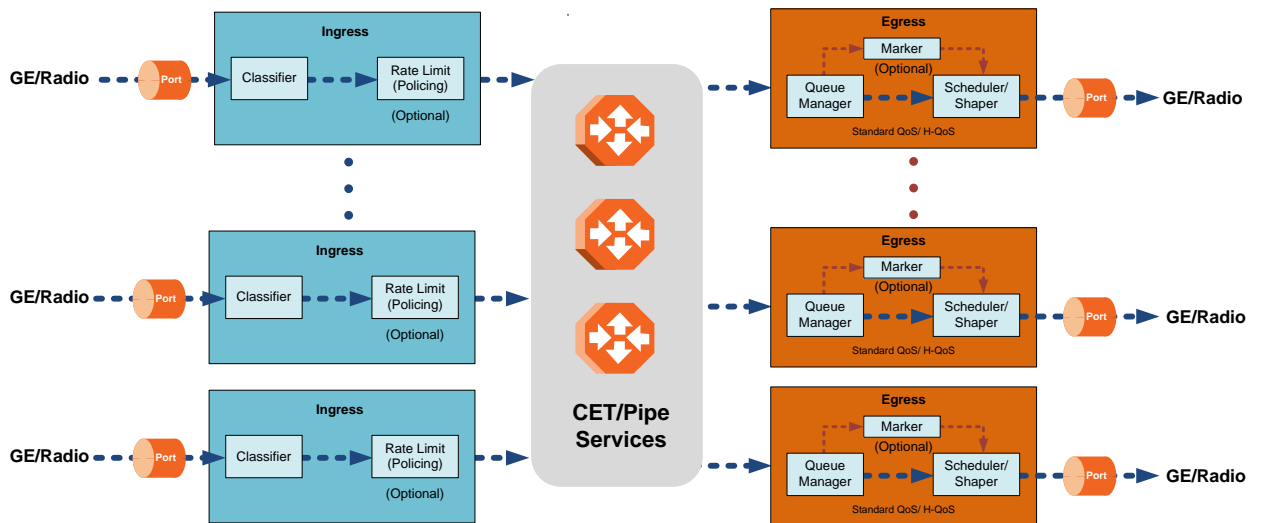


Figure 62: QoS Block Diagram

The ingress path consists of the following QoS building blocks:

- **Ingress Classifier** – A hierarchical mechanism that deals with ingress traffic on three different levels: interface, service point, and service. The classifier determines the exact traffic stream and associates it with the appropriate service. It also calculates an ingress frame CoS and Color. CoS and Color classification can be performed on three levels, according to the user's configuration.
- **Ingress Rate Metering** – A hierarchical mechanism that deals with ingress traffic on three different levels: interface, service point, and service point CoS. The rate metering mechanism enables the system to measure the incoming frame rate on different levels using a TrTCM standard MEF rate meter, and to determine whether to modify the color calculated during the classification stage.

The egress path consists of the following QoS building blocks:

- **Queue Manager** – This is the mechanism responsible for managing the transmission queues, utilizing smart WRED per queue and per packet color (Green or Yellow).
- **Scheduling and Shaping** – A hierarchical mechanism that is responsible for scheduling the transmission of frames from the transmission queues, based on priority among queues, Weighted Fair Queuing (WFQ) in bytes per each transmission queue, and eligibility to transmit based on required shaping on several different levels (per queue, per service bundle, and per port).
- **Marker** – This mechanism provides the ability to modify priority bits in frames based on the calculated CoS and Color.

The following two modes of operation are available on the egress path:

- **Standard QoS** – This mode provides eight transmission queues per port.
- **Hierarchical QoS (H-QoS)** – In this mode, users can associate services from the service model to configurable groups of eight transmission queues (service bundles), from a total 2K queues. In H-QoS mode, IP-20E performs QoS in a hierarchical manner in which the egress path is managed on three levels: ports, service bundles, and specific queues. This enables users to fully distinguish between streams, therefore providing a true SLA to customers.<sup>18</sup>

---

<sup>18</sup> H-QoS is planned for future release.

The following figure illustrates the difference between how standard QoS and H-QoS handle traffic:

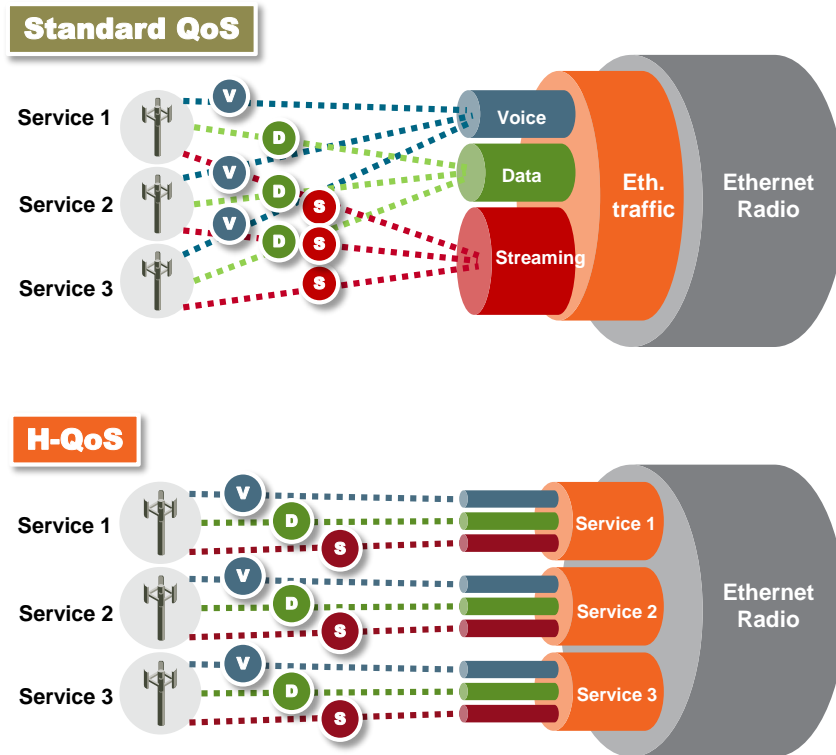


Figure 63: Standard QoS and H-QoS Comparison

### 5.2.6.1 QoS on the Ingress Path

#### Classification

IP-20E supports a hierarchical classification mechanism. The classification mechanism examines incoming frames and determines their CoS and Color. The benefit of hierarchical classification is that it provides the ability to “zoom in” or “zoom out”, enabling classification at higher or lower levels of the hierarchy. The nature of each traffic stream defines which level of the hierarchical classifier to apply, or whether to use several levels of the classification hierarchy in parallel.

The hierarchical classifier consists of the following levels:

- Logical interface-level classification
- Service point-level classification
- Service level classification

The following figure illustrates the hierarchical classification model. In this figure, traffic enters the system via the port depicted on the left and enters the service via the SAP depicted on the upper left of the service. The classification can take place at the logical interface level, the service point level, and/or the service level.

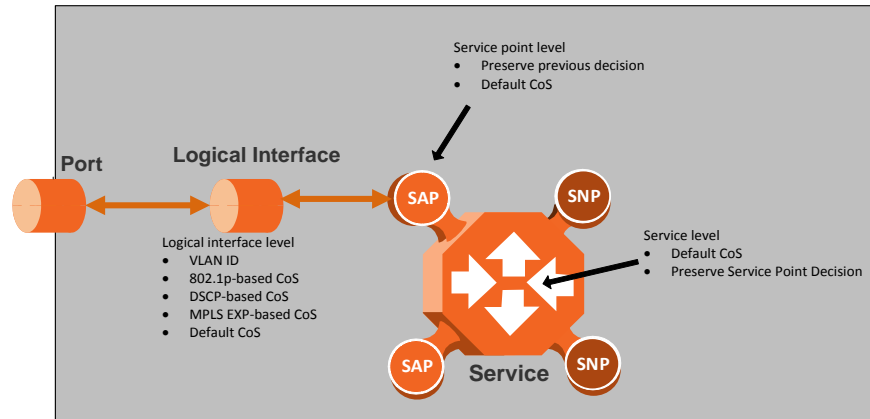


Figure 64: Hierarchical Classification

#### Logical Interface-Level Classification

Logical interface-level classification enables users to configure classification on a single interface or on a number of interfaces grouped together, such as a LAG group.

The classifier at the logical interface level supports the following classification methods, listed from highest to lowest priority. A higher level classification method supersedes a lower level classification method:

- o VLAN ID
- o 802.1p bits.
- o MPLS EXP field.
- o DSCP bits.
- o Default CoS

IP-20E performs the classification on each frame ingressing the system via the logical interface. Classification is performed step by step from the highest priority to the lowest priority classification method. Once a match is found, the classifier determines the CoS and Color decision for the frame for the logical interface-level.

For example, if the frame is an untagged IP Ethernet frame, a match will not be found until the third priority level (DSCP priority bits). The CoS and Color values defined for the frame's DSCP priority bits will be applied to the frame.

Users can disable some of these classification methods by configuring them as un-trusted. For example, if 802.1p classification is configured as un-trusted for a specific interface, the classification mechanism does not perform classification by VLAN UP bits. This is useful, for example, if the required classification is based on DSCP priority bits.



If no match is found at the logical interface level, the default CoS is applied to incoming frames at this level. In this case, the Color of the frame is assumed to be Green.

The following figure illustrates the hierarchy of priorities among classification methods, from highest (on the left) to lowest (on the right) priority.

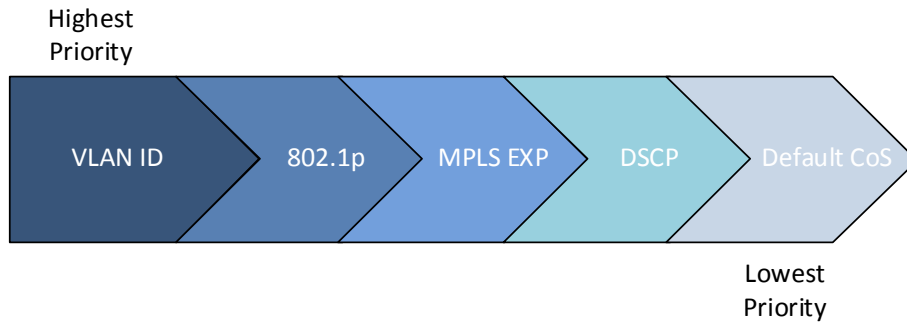


Figure 65: Classification Method Priorities

Interface-level classification is configured as part of the logical interface configuration. For details, refer to *Ingress Path Classification at Logical Interface Level* on page 104.

The following tables show the default values for logical interface-level classification. The key values for these tables are the priority bits of the respective frame encapsulation layers (VLAN, IP, and MPLS), while the key results are the CoS and Colors calculated for incoming frames. These results are user-configurable, but it is recommended that only advanced users should modify the default values.

Table 17: C-VLAN 802.1 UP and CFI Default Mapping to CoS and Color

802.1 UP	CFI	CoS (configurable)	Color (configurable)
0	0	0	Green
0	1	0	Yellow
1	0	1	Green
1	1	1	Yellow
2	0	2	Green
2	1	2	Yellow
3	0	3	Green
3	1	3	Yellow
4	0	4	Green
4	1	4	Yellow
5	0	5	Green
5	1	5	Yellow
6	0	6	Green

802.1 UP	CFI	CoS (configurable)	Color (configurable)
6	1	6	Yellow
7	0	7	Green
7	1	7	Yellow

*Table 18: S-VLAN 802.1 UP and DEI Default Mapping to CoS and Color*

802.1 UP	DEI	CoS (Configurable)	Color (Configurable)
0	0	0	Green
0	1	0	Yellow
1	0	1	Green
1	1	1	Yellow
2	0	2	Green
2	1	2	Yellow
3	0	3	Green
3	1	3	Yellow
4	0	4	Green
4	1	4	Yellow
5	0	5	Green
5	1	5	Yellow
6	0	6	Green
6	1	6	Yellow
7	0	7	Green
7	1	7	Yellow

*Table 19: MPLS EXP Default Mapping to CoS and Color*

MPLS EXP bits	CoS (configurable)	Color (configurable)
0	0	Yellow
1	1	Green
2	2	Yellow
3	3	Green
4	4	Yellow
5	5	Green
6	6	Green
7	7	Green

Table 20: DSCP Default Mapping to CoS and Color

DSCP	DSCP (bin)	Description	CoS (Configurable)	Color (Configurable)
0 (default)	000000	BE (CS0)	0	Green
10	001010	AF11	1	Green
12	001100	AF12	1	Yellow
14	001110	AF13	1	Yellow
18	010010	AF21	2	Green
20	010100	AF22	2	Yellow
22	010110	AF23	2	Yellow
26	011010	AF31	3	Green
28	011100	AF32	3	Yellow
30	011110	AF33	3	Yellow
34	100010	AF41	4	Green
36	100100	AF42	4	Yellow
38	100110	AF43	4	Yellow
46	101110	EF	7	Green
8	001000	CS1	1	Green
16	010000	CS2	2	Green
24	011000	CS3	3	Green
32	100000	CS4	4	Green
40	101000	CS5	5	Green
48	110000	CS6	6	Green
51	110011	DSCP_51	6	Green
52	110100	DSCP_52	6	Green
54	110110	DSCP_54	6	Green
56	111000	CS7	7	Green

Default value is CoS equal best effort and Color equal Green.

**Service Point-Level Classification**

Classification at the service point level enables users to give special treatment, in higher resolution, to specific traffic flows using a single interface to which the service point is attached. The following classification modes are supported at the service point level. Users can configure these modes by means of the service point CoS mode.

- o Preserve previous CoS decision (logical interface level)

- Default service point CoS

If the service point CoS mode is configured to preserve previous CoS decision, the CoS and Color are taken from the classification decision at the logical interface level. If the service point CoS mode is configured to default service point CoS mode, the CoS is taken from the service point's default CoS, and the Color is Green.

#### Service-Level Classification

Classification at the service level enables users to provide special treatment to an entire service. For example, the user might decide that all frames in a management service should be assigned a specific CoS regardless of the ingress port. The following classification modes are supported at the service level:

- Preserve previous CoS decision (service point level)
- Default CoS

If the service CoS mode is configured to preserve previous CoS decision, frames passing through the service are given the CoS and Color that was assigned at the service point level. If the service CoS mode is configured to default CoS mode, the CoS is taken from the service's default CoS, and the Color is Green.

#### Rate Meter (Policing)

IP-20E's TrTCM rate meter mechanism complies with MEF 10.2, and is based on a dual leaky bucket mechanism. The TrTCM rate meter can change a frame's CoS settings based on CIR/EIR+CBS/EBS, which makes the rate meter mechanism a key tool for implementing bandwidth profiles and enabling operators to meet strict SLA requirements.

The IP-20E hierarchical rate metering mechanism is part of the QoS performed on the ingress path, and consists of the following levels:

- Logical interface-level rate meter
- Service point-level rate meter<sup>19</sup>
- Service point CoS-level rate meter<sup>20</sup>

MEF 10.2 is the de-facto standard for SLA definitions, and IP-20E's QoS implementation provides the granularity necessary to implement service-oriented solutions.

Hierarchical rate metering enables users to define rate meter policing for incoming traffic at any resolution point, from the interface level to the service point level, and even at the level of a specific CoS within a specific service point. This option enables users to customize a set of eight policers for a variety of traffic flows within a single service point in a service.

---

<sup>19</sup> Service point-level rate metering is planned for future release.

<sup>20</sup> Service point and CoS-level rate metering is planned for future release.

Another important function of rate metering is to protect resources in the network element from malicious users sending traffic at an unexpectedly high rate. To prevent this, the rate meter can cut off traffic from a user that passes the expected ingress rate.

TrTCM rate meters use a leaky bucket mechanism to determine whether frames are marked Green, Yellow, or Red. Frames within the Committed Information Rate (CIR) or Committed Burst Size (CBS) are marked Green. Frames within the Excess Information Rate (EIR) or Excess Burst Size (EBS) are marked Yellow. Frames that do not fall within the CIR/CBS+EIR/EBS are marked Red and dropped, without being sent any further.

IP-20E provides up to 1024 user-defined TrTCM rate meters. The rate meters implement a bandwidth profile, based on CIR/EIR, CBS/EBS, Color Mode (CM), and Coupling flag (CF). Up to 250 different profiles can be configured.

Ingress rate meters operate at three levels:

- Logical Interface:
  - Per frame type (unicast, multicast, and broadcast)
  - Per frame ethertype
- Per Service Point
- Per Service Point CoS

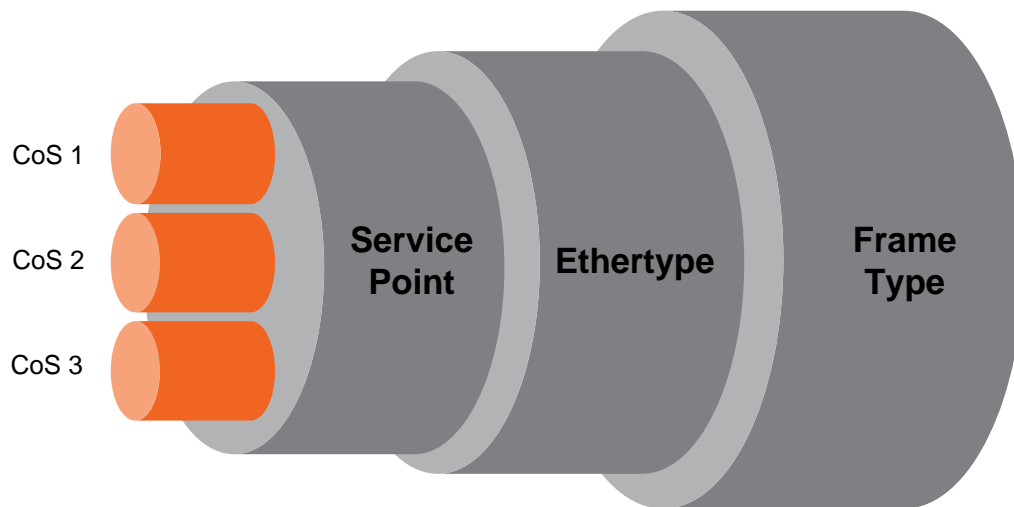


Figure 66: Ingress Policing Model

At each level (logical interface, service point, and service point + CoS), users can attach and activate a rate meter profile. Users must create the profile first, then attach it to the interface, service point, or service point + CoS.

#### Global Rate Meter Profiles

Users can define up to 250 rate meter user profiles. The following parameters can be defined for each profile:

- **Committed Information Rate (CIR)** – Frames within the defined CIR are marked Green and passed through the QoS module. Frames that exceed the CIR rate are marked Yellow. The CIR defines the average rate in bits/s of Service Frames up to which the network delivers service frames and meets the performance objectives. Permitted values are 0 to 1 Gbps, with a minimum granularity of 32Kbps.
- **Committed Burst Size (CBS)** – Frames within the defined CBS are marked Green and passed through the QoS module. This limits the maximum number of bytes available for a burst of service frames in order to ensure that traffic conforms to the CIR. Permitted values are 0 to 8192 Kbytes, with a minimum granularity of 2 Kbytes.
- **Excess Information Rate (EIR)** – Frames within the defined EIR are marked Yellow and processed according to network availability. Frames beyond the combined CIR and EIR are marked Red and dropped by the policer. Permitted values are 0 to 1 Gbps, with a minimum granularity of 32 Kbps.
- **Excess Burst Size (EBS)** – Frames within the defined EBS are marked Yellow and processed according to network availability. Frames beyond the combined CBS and EBS are marked Red and dropped by the policer. Permitted values are 0 to 8192 Kbytes, with a minimum granularity of 2 Kbytes.
- **Color Mode** – Color mode can be enabled (Color aware) or disabled (Color blind). In Color aware mode, all frames that ingress with a CFI/DEI field set to 1 (Yellow) are treated as EIR frames, even if credits remain in the CIR bucket. In Color blind mode, all ingress frames are treated first as Green frames regardless of CFI/DEI value, then as Yellow frames (when there is no credit in the Green bucket). A Color-blind policer discards any previous Color decisions.
- **Coupling Flag** – If the coupling flag between the Green and Yellow buckets is enabled, then if the Green bucket reaches the maximum CBS value the remaining credits are sent to the Yellow bucket up to the maximum value of the Yellow bucket.

The following parameter is neither a profile parameter, nor specifically a rate meter parameter, but rather, is a logical interface parameter. For more information about logical interfaces, refer to *Logical Interfaces* on page 103.

- **Line Compensation** – A rate meter can measure CIR and EIR at Layer 1 or Layer 2 rates. Layer 1 capacity is equal to Layer 2 capacity plus 20 additional bytes for each frame due to the preamble and Inter Frame Gap (IFG). In most cases, the preamble and IFG equals 20 bytes, but other values are also possible. Line compensation defines the number of bytes to be added to each frame for purposes of CIR and EIR calculation. When Line Compensation is 20, the rate meter operates as Layer 1. When Line Compensation is 0, the rate meter operates as Layer 2. This parameter is very important to users that want to distinguish between Layer 1 and Layer 2 traffic. For example, 1 Gbps of traffic at Layer 1 is equal to ~760 Mbps if the frame size is 64 bytes, but ~986 Mbps if the frame size is 1500 bytes. This demonstrates that counting at Layer 2 is not always fair in comparison to counting at Layer 1, that is, the physical level.

### **Rate Metering (Policing) at the Logical Interface Level**

Rate metering at the logical interface level supports the following:

- Unicast rate meter
- Multicast rate meter
- Broadcast rate mete
- User defined Ethertype 1 rate meter
- User defined Ethertype 2 rate meter
- User defined Ethertype 3 rate meter

For each rate meter, the following statistics are available:

- Green Frames (64 bits)
- Green Bytes (64 bits)
- Yellow Frames (64 bits)
- Yellow Bytes (64 bits)
- Red Frames (64 bits)
- Red Bytes (64 bits)

### **Rate Metering (Policing) at the Service Point Level**

Users can define a single rate meter on each service point, up to a total number of 1024 rate meters per network element at the service point and CoS per service point levels.

The following statistics are available for each service point rate meter:

- Green Frames (64 bits)
- Green Bytes (64 bits)
- Yellow Frames (64 bits)
- Yellow Bytes (64 bits)
- Red Frames (64 bits)
- Red Bytes (64 bits)

### **Rate Metering (Policing) at the Service Point + CoS Level**

Users can define a single rate meter for each CoS on a specific service point, up to a total number of 1024 rate meters per network element at the service point and CoS per service point levels.

The following statistics are available for each service point + CoS rate meter:

- Green Frames (64 bits)
- Green Bytes (64 bits)
- Yellow Frames (64 bits)
- Yellow Bytes (64 bits)
- Red Frames (64 bits)
- Red Bytes (64 bits)

### 5.2.6.2 QoS on the Egress Path

#### Queue Manager

The queue manager (QM) is responsible for managing the output transmission queues. IP-20E supports up to 1,024 service-level transmission queues, with configurable buffer size. Users can specify the buffer size of each queue independently. The total amount of memory dedicated to the queue buffers is 2 Gigabits.

The following considerations should be taken into account in determining the proper buffer size:

- **Latency considerations** – If low latency is required (users would rather drop frames in the queue than increase latency) small buffer sizes are preferable.
- **Throughput immunity to fast bursts** – When traffic is characterized by fast bursts, it is recommended to increase the buffer sizes to prevent packet loss. Of course, this comes at the cost of a possible increase in latency.

Users can configure burst size as a tradeoff between latency and immunity to bursts, according to the application requirements.

The 1,024 queues are ordered in groups of eight queues. These eight queues correspond to CoS values, from 0 to 7; in other words, eight priority queues.

The following figure depicts the queue manager. Physically, the queue manager is located between the ingress path and the egress path.



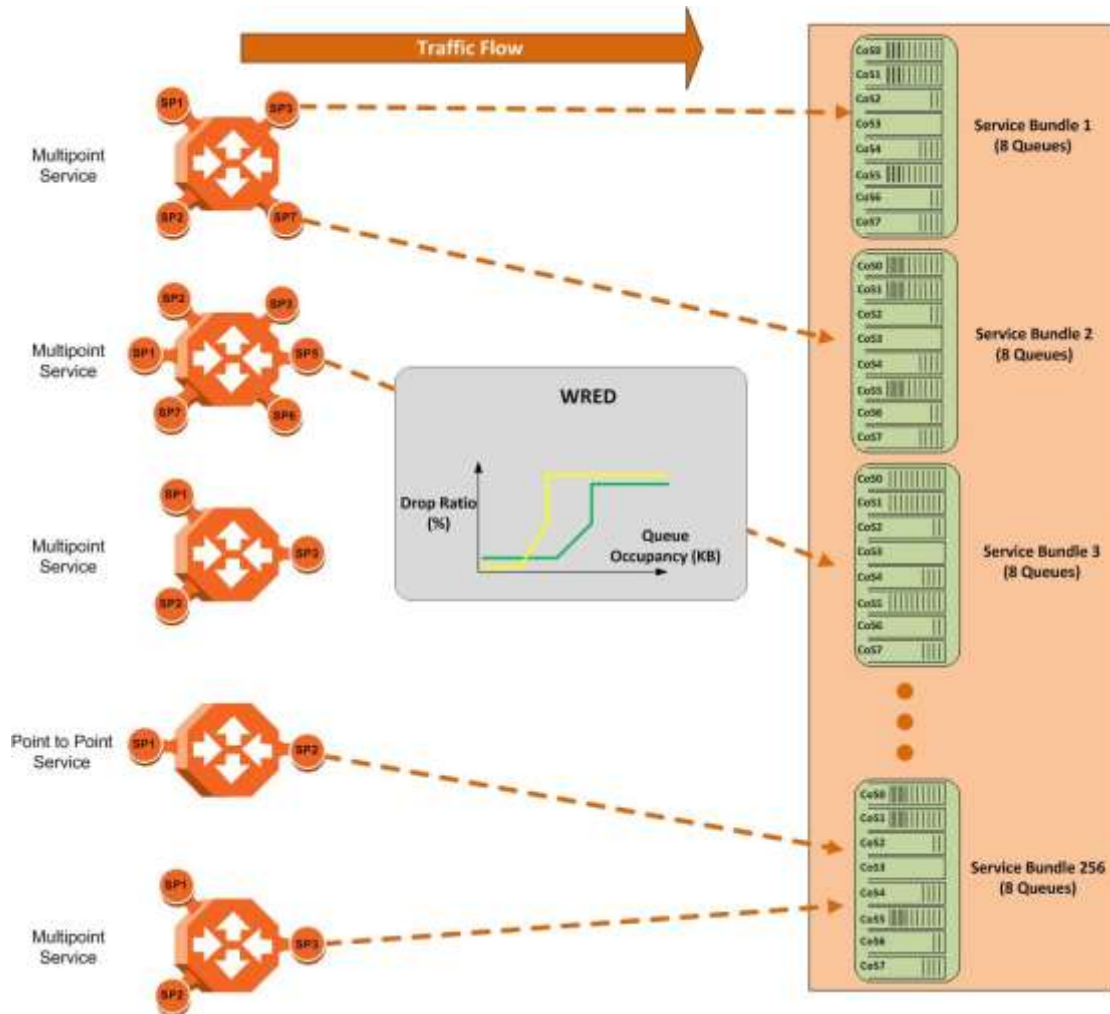


Figure 67: IP-20E Queue Manager

In the figure above, traffic is passing from left to right. The traffic passing from the ingress path is routed to the correct egress destination interfaces via the egress service points. As part of the assignment of the service points to the interfaces, users define the group of eight queues through which traffic is to be transmitted out of the service point. This is part of the service point egress configuration.

After the traffic is tunneled from the ingress service points to the egress service points, it is aggregated into one of the eight queues associated with the specific service point. The exact queue is determined by the CoS calculated by the ingress path. For example, if the calculated CoS is 6, the traffic is sent to queue 6, and so on.

Before assigning traffic to the appropriate queue, the system makes a determination whether to forward or drop the traffic using a WRED algorithm with a predefined green and yellow curve for the desired queue. This operation is integrated with the queue occupancy level.

The 2K queues share a single memory of 2 Gbits. IP-20E enables users to define a specific size for each queue which is different from the default size. Moreover, users can create an over-subscription scenario among the queues for when the

buffer size of the aggregate queues is lower than the total memory allocated to all the queues. In doing this, the user must understand both the benefits and the potential hazards, namely, that if a lack of buffer space occurs, the queue manager will drop incoming frames without applying the usual priority rules among frames.

The queue size is defined by the WRED profile that is associated with the queue. For more details, refer to *WRED* on page 122.

**WRED**

The Weighted Random Early Detection (WRED) mechanism can increase capacity utilization of TCP traffic by eliminating the phenomenon of global synchronization. Global synchronization occurs when TCP flows sharing bottleneck conditions receive loss indications at around the same time. This can result in periods during which link bandwidth utilization drops significantly as a consequence of simultaneous falling to a “slow start” of all the TCP flows. The following figure demonstrates the behavior of two TCP flows over time without WRED.

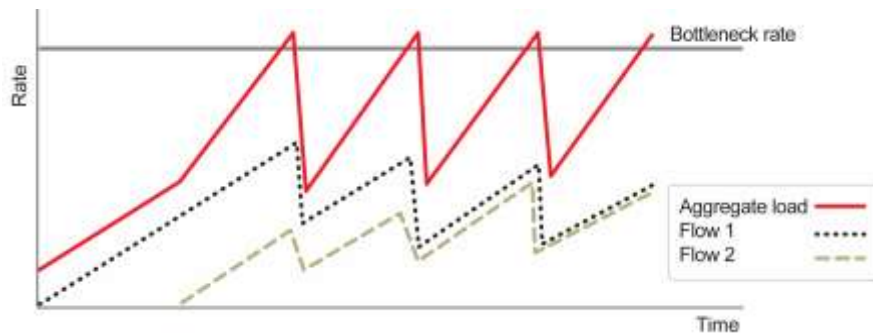


Figure 68: Synchronized Packet Loss

WRED eliminates the occurrence of traffic congestion peaks by restraining the transmission rate of the TCP flows. Each queue occupancy level is monitored by the WRED mechanism and randomly selected frames are dropped before the queue becomes overcrowded. Each TCP flow recognizes a frame loss and restrains its transmission rate (basically by reducing the window size). Since the frames are dropped randomly, statistically each time another flow has to restrain its transmission rate as a result of frame loss (before the real congestion occurs). In this way, the overall aggregated load on the radio link remains stable while the transmission rate of each individual flow continues to fluctuate similarly. The following figure demonstrates the transmission rate of two TCP flows and the aggregated load over time when WRED is enabled.

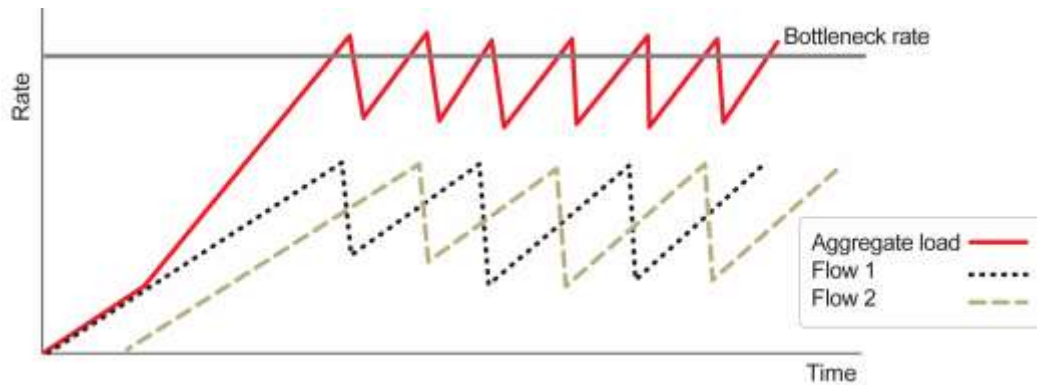


Figure 69: Random Packet Loss with Increased Capacity Utilization Using WRED

When queue occupancy goes up, this means that the ingress path rate (the TCP stream that is ingressing the switch) is higher than the egress path rate. This difference in rates should be fixed in order to reduce packet drops and to reach the maximal media utilization, since IP-20E will not egress packets to the media at a rate which is higher than the media is able to transmit.

To deal with this, IP-20E enables users to define up to 30 WRED profiles. Each profile contains a Green traffic curve and a Yellow traffic curve. These curves describe the probability of randomly dropping frames as a function of queue occupancy. In addition, using different curves for Yellow packets and Green packets enables users to enforce the rule that Yellow packets be dropped before Green packets when there is congestion.

IP-20E also includes two pre-defined read-only WRED profiles:

- Profile number 31 defines a tail-drop curve and is configured with the following values:
  - 100% Yellow traffic drop after 64kbytes occupancy.
  - 100% Green traffic drop after 128kbytes occupancy.
  - Yellow maximum drop is 100%
  - Green maximum drop is 100%
- Profile number 32 defines a profile in which all will be dropped. It is for internal use and should not be applied to traffic.

A WRED profile can be assigned to each queue. The WRED profile assigned to the queue determines whether or not to drop incoming packets according to the occupancy of the queue. Basically, as queue occupancy grows, the probability of dropping each incoming frame increases as well. As a consequence, statistically more TCP flows will be restrained before traffic congestion occurs.

The following figure provides an example of a WRED profile.

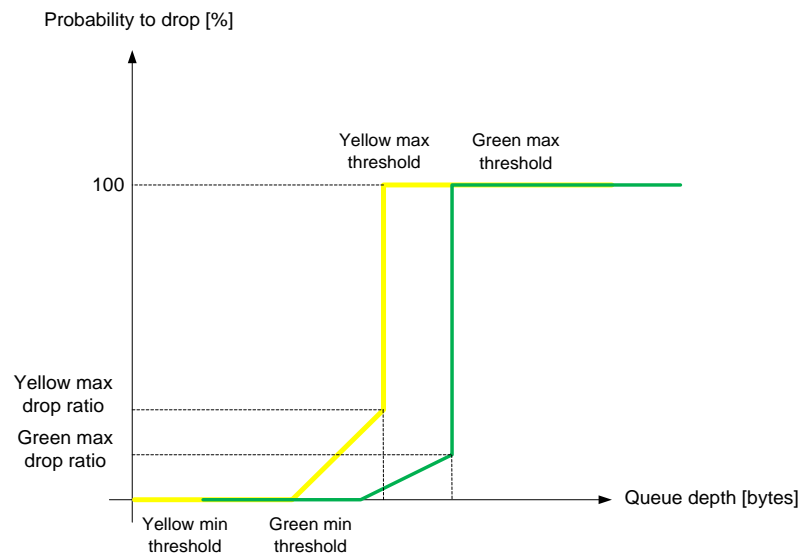


Figure 70: WRED Profile Curve

**Note:** The tail-drop profile, Profile 31, is the default profile for each queue. A tail drop curve is useful for reducing the effective queue size, such as when low latency must be guaranteed.

#### Global WRED Profile Configuration

IP-20E supports 30 user-configurable WRED profiles and one pre-defined (default) profile. The following are the WRED profile attributes:

- **Green Minimum Threshold** – Permitted values are 0 Kbytes to 8 Mbytes, with granularity of 8 Kbytes.
- **Green Maximum Threshold** – Permitted values are 0 Kbytes to 8 Mbytes, with granularity of 8 Kbytes.
- **Green-Maximum Drop** – Permitted values are 1% to 100%, with 1% drop granularity.
- **Yellow Minimum Threshold** – Permitted values are 0 Kbytes to 8 Mbytes, with granularity of 8 Kbytes.
- **Yellow Maximum Threshold** – Permitted values are 0 Kbytes to 8 Mbytes, with granularity of 8 Kbytes.
- **Yellow Maximum Drop** – Permitted values are 1% to 100%, with 1% drop granularity.

**Notes:** K is equal to 1024.

Users can enter any value within the permitted range. Based on the value entered by the user, the software automatically rounds off the setting according to the granularity. If the user enters a value below the lowest granular value (except 0), the software adjusts the setting to the minimum.

For each curve, frames are passed on and not dropped up to the minimum Green and Yellow thresholds. From this point, WRED performs a pseudo-random drop with a ratio based on the curve up to the maximum Green and Yellow thresholds. Beyond this point, 100% of frames with the applicable Color are dropped.

The system automatically assigns the default “tail drop” WRED profile (Profile ID 31) to every queue. Users can change the WRED profile per queue based on the application served by the queue.

### Standard QoS and Hierarchical QoS (H-QoS)

In a standard QoS mechanism, egress data is mapped to a single egress interface. This single interface supports up to eight priority queues, which correspond to the CoS of the data. Since all traffic for the interface egresses via these queues, there is no way to distinguish between different services and traffic streams within the same priority.

The figure below shows three services, each with three distinct types of traffic streams:

- Voice – high priority
- Data – medium priority
- Streaming – lower priority

While the benefits of QoS on the egress path can be applied to the aggregate streams, without H-QoS they will not be able to distinguish between the various services included in these aggregate streams. Moreover, different behavior among the different traffic streams that constitute the aggregate stream can cause unpredictable behavior between the streams. For example, in a situation in which one traffic stream can transmit 50 Mbps in a shaped manner while another can transmit 50 Mbps in a burst, frames may be dropped in an unexpected way due to a lack of space in the queue resulting from a long burst.

Hierarchical QoS (H-QoS) solves this problem by enabling users to create a real egress tunnel for each stream, or for a group of streams that are bundled together. This enables the system to fully perform H-QoS with a top-down resolution, and to fully control the required SLA for each stream.

### H-QoS Hierarchy

The egress path hierarchy is based on the following levels:

- Queue level
- Service bundle level
- Logical interface level

The queue level represents the physical priority queues. This level holds 2K queues. Each eight queues are bundled and represent eight CoS priority levels. One or more service points can be attached to a specific bundle, and the traffic from the service point to one of the eight queues is based on the CoS that was calculated on the ingress path.

**Note:** With standard QoS, all services are assigned to a single default service bundle.

The service bundle level represents the groups of eight priority queues. Every eight queues are managed as a single service bundle.

The interface level represents the physical port through which traffic from the specified service point egresses.

The following summarizes the egress path hierarchy:

- Up to 5 physical interfaces
- One service bundle per interface in standard QoS / 32 service bundles per interface in H-QoS.
- Eight queues per service bundle

#### H-QoS on the Interface Level

Users can assign a single leaky bucket shaper to each interface. The shaper on the interface level stops traffic from the interface if a specific user-defined peak information rate (PIR) has been exceeded.

In addition, users can configure scheduling rules for the priority queues, as follows:

- Scheduling (serve) priorities among the eight priority queues.
- Weighted Fair Queuing (WFQ) among queues with the same priority.

**Note:** The system assigns the rules for all service bundles under the interface.

RMON counters are valid on the interface level.

#### H-QoS on the Service Bundle Level

Users can assign a dual leaky bucket shaper to each service bundle. On the service bundle level, the shaper changes the scheduling priority if traffic via the service bundle is above the user-defined CIR and below the PIR. If traffic is above the PIR, the scheduler stops transmission for the service bundle.

Service bundle traffic counters are valid on this level.

**Note:** With standard QoS, users assign the egress traffic to a single service bundle (Service Bundle ID 1).

#### H-QoS on the Queue Level

The egress service point points to a specific service bundle. Depending on the user application, the user can connect either a single service point or multiple service points to a service bundle. Usually, if multiple service points are connected to a service bundle, the service points will share the same traffic type and characteristics. Mapping to the eight priority queues is based on the CoS calculated on the ingress path, before any marking operation, which only changes the egress CoS and Color.

Users can assign a single leaky bucket to each queue. The shaper on the queue level stops traffic from leaving the queue if a specific user-defined PIR has been exceeded.

Traffic counters are valid on this level.

The following figure provides a detailed depiction of the H-QoS levels.

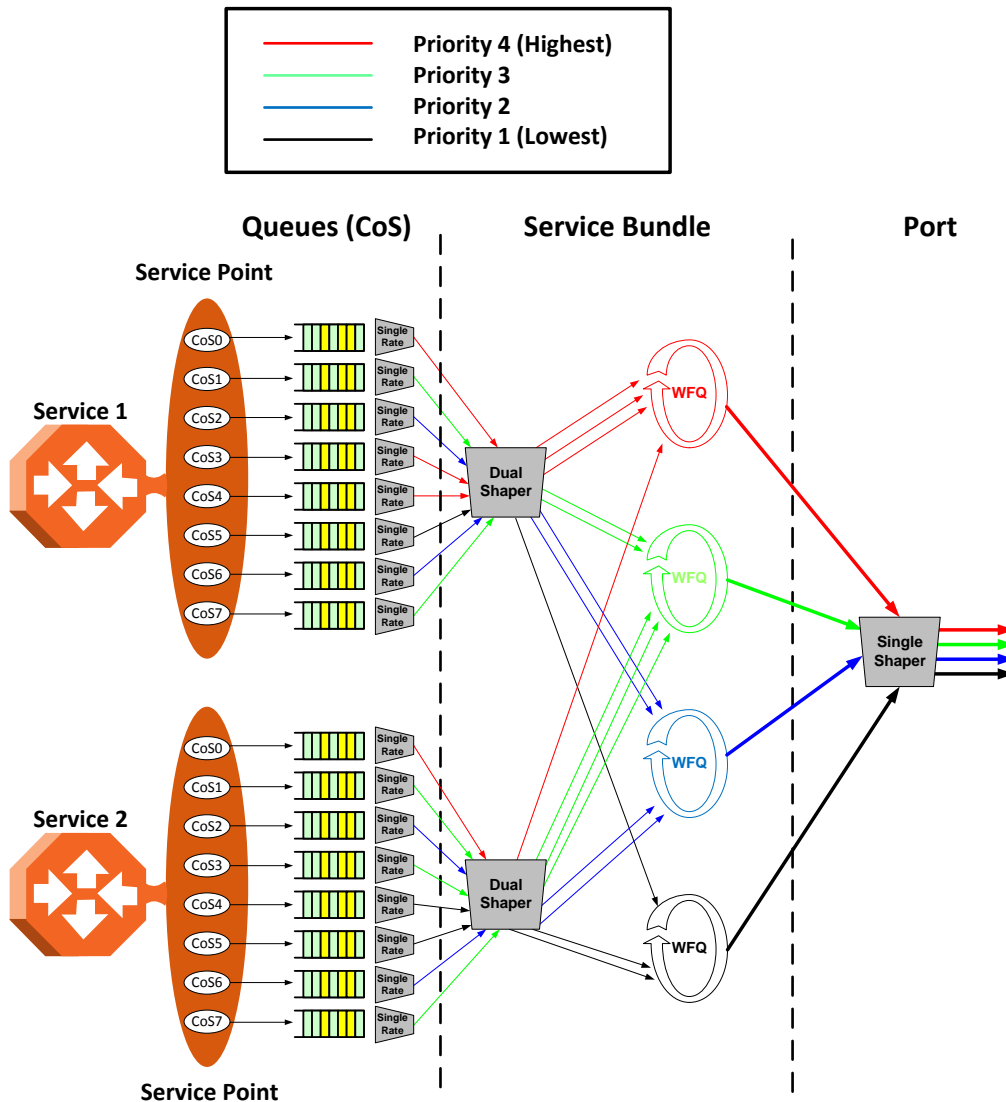


Figure 71: Detailed H-QoS Diagram

### H- QoS Mode

As discussed above, users can select whether to work in Standard QoS mode or H-QoS mode.

- If the user configured all the egress service points to transmit traffic via a single service bundle, the operational mode is Standard QoS. In this mode, only Service Bundle 1 is active and there are eight output transmission queues.
- If the user configured the egress service points to transmit traffic via multiple service bundles, the operational mode is H-QoS. H-QoS mode enables users to fully distinguish among the streams and to achieve SLA per service.

## Shaping on the Egress Path

Egress shaping determines the traffic profile for each queue. IP-20E performs egress shaping on the following three levels:

- Queue level – Single leaky bucket shaping.
- Service Bundle level – Dual leaky bucket shaping
- Interface level – Single leaky bucket shaping

### Queue Shapers

Users can configure up to 31 single leaky bucket shaper profiles. The CIR value can be set to the following values:

- 16,000 – 32,000,000 bps – granularity of 16,000 bps
- 32,000,000 – 131,008,000 bps – granularity of 64,000 bps

**Note:** Users can enter any value within the permitted range. Based on the value entered by the user, the software automatically rounds off the setting according to the granularity. If the user enters a value below the lowest granular value (except 0), the software adjusts the setting to the minimum.

Users can attach one of the configured queue shaper profiles to each priority queue. If no profile is attached to the queue, no egress shaping is performed on that queue.

### Service Bundle Shapers

Users can configure up to 255 dual leaky bucket shaper profiles. The profiles can be configured as follows:

- Valid CIR values are:
  - 0 – 32,000,000 bps – granularity of 16,000 bps
  - 32,000,000 – 1,000,000,000 bps – granularity of 64,000 bps
- Valid PIR values are:
  - 16,000 – 32,000,000 bps – granularity of 16,000 bps
  - 32,000,000 – 1,000,000,000 bps – granularity of 64,000 bps

**Note:** Users can enter any value within the permitted range. Based on the value entered by the user, the software automatically rounds off the setting according to the granularity. If the user enters a value below the lowest granular value (except 0), the software adjusts the setting to the minimum.

Users can attach one of the configured service bundle shaper profiles to each service bundle. If no profile is attached to the service bundle, no egress shaping is performed on that service bundle.



### Interface Shapers

Users can configure up to 31 single leaky bucket shaper profiles. The CIR can be set to the following values:

- 0 – 8,192,000 bps – granularity of 32,000 bps
- 8,192,000 – 32,768,000 bps – granularity of 128,000 bps
- 32,768,000 – 131,072,000 bps – granularity of 512,000 bps
- 131,072,000 – 999,424,000 bps – granularity of 8,192,000 bps

**Note:** Users can enter any value within the permitted range. Based on the value entered by the user, the software automatically rounds off the setting according to the granularity. If the user enters a value below the value (except 0), the software adjusts the setting to the minimum.

Users can attach one of the configured interface shaper profiles to each interface. If no profile is attached to the interface, no egress shaping is performed on that interface.

### Line Compensation for Shaping

Users can configure a line compensation value for all the shapers under a specific logical interface. For more information, refer to *Global Rate Meter Profiles* on page 117.

### Egress Scheduling

Egress scheduling is responsible for transmission from the priority queues. IP-20E uses a unique algorithm with a hierarchical scheduling model over the three levels of the egress path that enables compliance with SLA requirements.

The scheduler scans all the queues over all the service bundles, per interface, and determines which queue is ready to transmit. If more than one queue is ready to transmit, the scheduler determines which queue transmits first based on:

- **Queue Priority** – A queue with higher priority is served before lower-priority queues.
- **Weighted Fair Queuing (WFQ)** – If two or more queues have the same priority and are ready to transmit, the scheduler transmits frames from the queues based on a WFQ algorithm that determines the ratio of frames per queue based on a predefined weight assigned to each queue.

The following figure shows the scheduling mechanism for a single service bundle (equivalent to Standard QoS). When a user assigns traffic to more than single service bundle (H-QoS mode), multiple instances of this model (up to 32 per port) are valid.

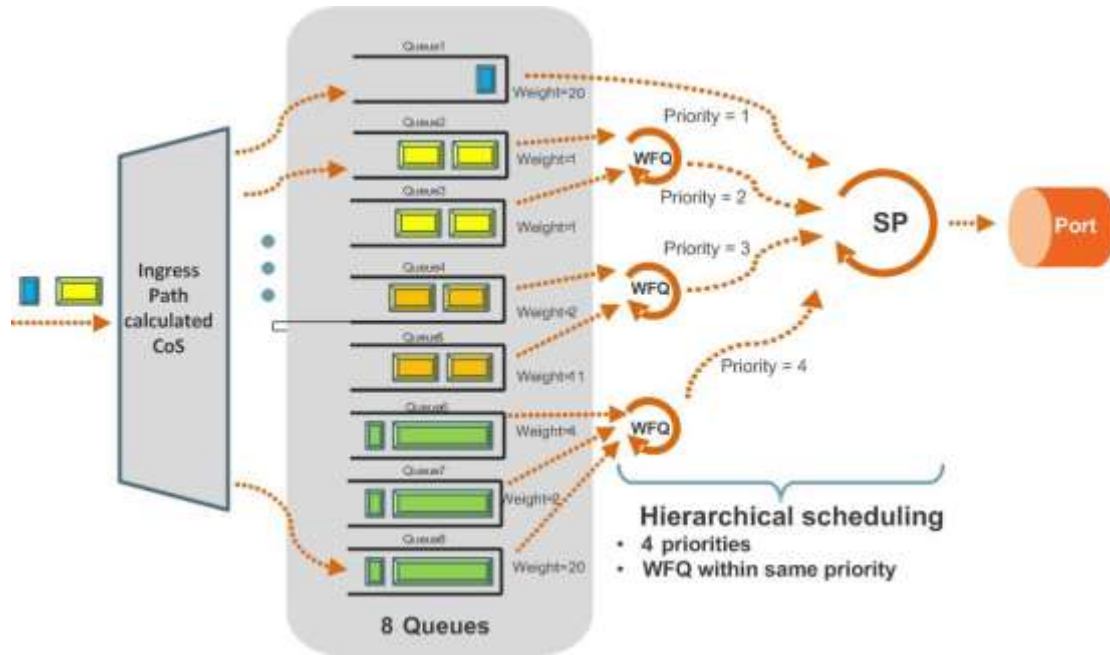


Figure 72: Scheduling Mechanism for a Single Service Bundle

### Interface Priority

The profile defines the exact order for serving the eight priority queues in a single service bundle. When the user attaches a profile to an interface, all the service bundles under the interface inherit the profile.

The priority mechanism distinguishes between two states of the service bundle:

- Green State – Committed state
- Yellow state – Best effort state

Green State refers to any time when the *service bundle total rate* is below the user-defined CIR. Yellow State refers to any time when the *service bundle total rate* is above the user-defined CIR but below the PIR.

User can define up to four Green priority profiles, from 4 (highest) to 1 (lowest). An additional four Yellow priority profiles are defined automatically.

The following table provides a sample of an interface priority profile. This profile is also used as the default interface priority profile.

Table 21: QoS Priority Profile Example

Profile ID (1-9)			
CoS	Green Priority (user defined)	Yellow Priority (read only)	Description
0	1	1	Best Effort
1	2	1	Data Service 4
2	2	1	Data Service 3
3	2	1	Data Service 2
4	2	1	Data Service 1
5	3	1	Real Time 2 (Video with large buffer)
6	3	1	Real Time 1 (Video with small buffer)
7	4	4	Management (Sync, PDUs, etc.)

When the service bundle state is Green (committed state), the service bundle priorities are as defined in the Green Priority column. When the service bundle state is Yellow (best effort state), the service bundle priorities are system-defined priorities shown in the Yellow Priority column.

**Note:** CoS 7 is always marked with the highest priority, no matter what the service bundle state is, since it is assumed that only high priority traffic will be tunneled via CoS 7.

The system supports up to nine interface priority profiles. Profiles 1 to 8 are defined by the user, while profile 9 is the pre-defined read-only default interface priority profile.

The following interface priority profile parameters can be configured by users:

- **Profile ID** – Profile ID number. Permitted values are 1 to 8.
- **CoS 0 Priority** – CoS 0 queue priority, from 4 (highest) to 1 (lowest).
- **CoS 0 Description** – CoS 0 user description field, up to 20 characters.
- **CoS 1 Priority** – CoS 1 queue priority, from 4 (highest) to 1 (lowest).
- **CoS 1 Description** – CoS 1 user description field, up to 20 characters.
- **CoS 2 Priority** – CoS 2 queue priority, from 4 (highest) to 1 (lowest).
- **CoS 2 Description** – CoS 2 user description field, up to 20 characters.
- **CoS 3 Priority** – CoS 3 queue priority, from 4 (highest) to 1 (lowest).
- **CoS 3 Description** – CoS 3 user description field, up to 20 characters.
- **CoS 4 Priority** – CoS 4 queue priority, from 4 (highest) to 1 (lowest).
- **CoS 4 Description** – CoS 4 user description field, up to 20 characters.
- **CoS 5 Priority** – CoS 5 queue priority, from 4 (highest) to 1 (lowest).
- **CoS 5 Description** – CoS 5 user description field, up to 20 characters.
- **CoS 6 Priority** – CoS 6 queue priority, from 4 (highest) to 1 (lowest).
- **CoS 6 Description** – CoS 6 user description field, up to 20 characters.
- **CoS 7 Priority** – CoS 7 queue priority, from 4 (highest) to 1 (lowest).
- **CoS 7 Description** – CoS 7 user description field, up to 20 characters.

Users can attach one of the configured interface priority profiles to each interface. By default, the interface is assigned Profile ID 9, the pre-defined system profile.

#### **Weighted Fair Queuing (WFQ)**

As described above, the scheduler serves the queues based on their priority, but when two or more queues have data to transmit and their priority is the same, the scheduler uses Weighted Fair Queuing (WFQ) to determine the priorities within each priority. WFQ defines the transmission ratio, in bytes, between the queues. All the service bundles under the interface inherit the WFQ profile attached to the interface.

The system supports up to six WFQ interface profiles. Profile ID 1 is a pre-defined read-only profile, and is used as the default profile. Profiles 2 to 6 are user-defined profiles.

The following table provides an example of a WFQ profile.

*Table 22: WFQ Profile Example*

Profile ID (1-7)		
CoS	Queue Weight (Green)	Queue Weight (Yellow – not visible to users)
0	20	20
1	20	20
2	20	20
3	20	20
4	20	20
5	20	20
6	20	20
7	20	20

For each CoS, the user can define;

- **Profile ID** – Profile ID number. Permitted values are 2 to 6.
- **Weight** – Transmission quota in bytes. Permitted values are 1 to 20.

Users can attach one of the configured interface WFQ profiles to each interface. By default, the interface is assigned Profile ID 1, the pre-defined system profile.

### Egress PMs and Statistics

#### Queue-Level Statistics

IP-20E supports the following counters per queue at the queue level:

- Transmitted Green Packet (64 bits counter)
- Transmitted Green Bytes (64 bits counter)
- Transmitted Green Bits per Second (32 bits counter)
- Dropped Green Packets (64 bits counter)
- Dropped Green Bytes (64 bits counter)
- Transmitted Yellow Packets (64 bits counter)
- Transmitted Yellow Bytes (64 bits counter)
- Transmitted Yellow Bits per Second (32 bits counter)
- Dropped Yellow Packets (64 bits counter)
- Dropped Yellow Bytes (64 bits counter)

### Service Bundle-Level Statistics

IP-20E supports the following counters per service bundle at the service bundle level:

- Transmitted Green Packets (64 bits counter)
- Transmitted Green Bytes (64 bits counter)
- Transmitted Green Bits per Second (32 bits counter)
- Dropped Green Packets (64 bits counter)
- Dropped Green Bytes (64 bits counter)
- Transmitted Yellow Packets (64 bits counter)
- Transmitted Yellow Bytes (64 bits counter)
- Transmitted Yellow Bits per Second (32 bits counter)
- Dropped Yellow Packets (64 bits counter)
- Dropped Yellow Bytes (64 bits counter)

### PMs for Queue Traffic

For each logical interface, users can configure thresholds for Green and Yellow traffic per queue. Users can then display the following PMs for 15-minute and 24-hour intervals, per queue and color:

- Maximum bytes passed per second
- Minimum bytes passed per second
- Average bytes passed per second
- Maximum bytes dropped per second
- Minimum bytes dropped per second
- Average bytes dropped per second
- Maximum packets passed per second
- Minimum packets passed per second
- Average packets passed per second
- Maximum packets dropped per second
- Minimum packets dropped per second
- Average packets dropped per second
- Seconds bytes per second were over the configured threshold per interval

### Interface-Level Statistics

For information on statistics at the interface level, refer to *Ethernet Statistics* on page 102.

### Marker

Marking refers to the ability to overwrite the outgoing priority bits and Color of the outer VLAN of the egress frame. Marking mode is only applied if the outer frame is S-VLAN and S-VLAN CoS preservation is disabled, or if the outer frame is C-VLAN and C-VLAN CoS preservation is disabled. If outer VLAN preservation is enabled for the relevant outer VLAN, the egress CoS and Color are the same as the CoS and Color of the frame when it ingressed into the switching fabric.

Marking is performed according to a global table that maps CoS and Color values to the 802.1p-UP bits and the DEI or CFI bits. If Marking is enabled on a service point, the CoS and Color of frames egressing the service via that service point are overwritten according to this global mapping table.

If marking and CoS preservation for the relevant outer VLAN are both disabled, marking is applied according to the Green frame values in the global marking table.

When marking is performed, the following global tables are used by the marker to decide which CoS and Color to use as the egress CoS and Color bits.

*Table 23: 802.1q UP Marking Table (C-VLAN)*

CoS	Color	802.1q UP (Configurable)	CFI Color (Configurable)
0	Green	0	0
0	Yellow	0	1
1	Green	1	0
1	Yellow	1	1
2	Green	2	0
2	Yellow	2	1
3	Green	3	0
3	Yellow	3	1
4	Green	4	0
4	Yellow	4	1
5	Green	5	0
5	Yellow	5	1
6	Green	6	0
6	Yellow	6	1
7	Green	7	0
7	Yellow	7	1

*Table 24: 802.1ad UP Marking Table (S-VLAN)*

<b>CoS</b>	<b>Color</b>	<b>802.1ad UP (configurable)</b>	<b>DEI Color (configurable)</b>
0	Green	0	0
0	Yellow	0	1
1	Green	1	0
1	Yellow	1	1
2	Green	2	0
2	Yellow	2	1
3	Green	3	0
3	Yellow	3	1
4	Green	4	0
4	Yellow	4	1
5	Green	5	0
5	Yellow	5	1
6	Green	6	0
6	Yellow	6	1
7	Green	7	0
7	Yellow	7	1

The keys for these tables are the CoS and Color. The results are the 802.1q/802.1ad UP and CFI/DEI bits, which are user-configurable. It is strongly recommended that the default values not be changed except by advanced users.



### Standard QoS and Hierarchical QoS (H-QoS) Summary

The following table summarizes and compares the capabilities of standard QoS and H-QoS.

*Table 25: Summary and Comparison of Standard QoS and H-QoS*

Capability	Standard QoS	Hierarchical QoS
Number of transmission queues per port	8	256
Number of service bundles	1 (always service bundle id equal 1)	32
WRED	Per queue (two curves – for green traffic and for yellow traffic via the queue)	Per queue (two curves – for green traffic and for yellow traffic via the queue)
Shaping at queue level	Single leaky bucket	Single leaky bucket
Shaping at service bundle level	Dual leaky bucket	Dual leaky bucket
Shaping at port level	Single leaky bucket (this level is not relevant since it is recommended to use service bundle level with dual leaky bucket)	Single leaky bucket
Transmission queues priority	Per queue priority (4 priorities).	Per queue priority (4 priorities). All service bundles for a specific port inherit the 8-queues priority settings.
Weighted fair Queue (WFQ)	Queue level (between queues)	Queue level (between queues) Service Bundle level (between service bundles)
Marker	Supported	Supported
Statistics	Queue level (8 queues) Service bundle level (1 service bundle) Port level	Queue level (256 queues) Service bundle level (32 service bundles) Port level

### 5.2.7 Global Switch Configuration

The following parameters are configured globally for the IP-20E switch:

- **S- VLAN Ethertype** – Defines the ethertype recognized by the system as the S-VLAN ethertype. IP-20E supports the following S-VLAN ethertypes:
  - 0x8100
  - 0x88A8 (default)
  - 0x9100
  - 0x9200
- **C-VLAN Ethertype** – Defines the ethertype recognized by the system as the C-VLAN ethertype. IP-20E supports 0x8100 as the C-VLAN ethertype.
- **MRU** – The maximum segment size defines the maximum receive unit (MRU) capability and the maximum transmit capability (MTU) of the system. Users can configure a global MRU for the system. Permitted values are 64 bytes to 9612 bytes.

## 5.2.8 Automatic State Propagation and Link Loss Forwarding

### Related topics:

- Network Resiliency
- External Protection
- Link Aggregation Groups (LAG)

---

Automatic State Propagation (ASP) enables propagation of radio failures back to the Ethernet port. You can also configure ASP to close the Ethernet port based on a radio failure at the remote carrier. ASP improves the recovery performance of resiliency protocols.

**Note:** It is recommended to configure both ends of the link to the same ASP configuration.

### 5.2.8.1 Automatic State Propagation Operation

Automatic state propagation is configured as pairs of interfaces. Each interface pair includes one Monitored Interface and one Controlled Interface. Multiple pairs can be configured using the same Monitored Interface and multiple Controlled Interfaces.

The Monitored Interface is a radio interface. The Controlled Interface is an Ethernet interface or LAG. An Ethernet interface can only be assigned to one Monitored interface.

Each Controlled Interface is assigned an LLF ID. If **ASP trigger by remote fault** is enabled on the remote side of the link, the ASP state of the Controlled Interface is propagated to the Controlled Interface with the same LLF ID at the remote side of the link. This means if ASP is triggered locally, it is propagated to the remote side of the link, but only to Controlled Interfaces with LLF IDs that match the LLF IDs of the affected Controlled Interfaces on the local side of the link.

The following events in the Monitored Interface trigger ASP:

- Radio LOF
- Radio Excessive BER
- Remote Radio LOF
- Remote Excessive BER
- Remote LOC

The user can also configure the ASP pair so that Radio LOF, Radio Excessive BER, or loss of the Ethernet connection at the remote side of the link will also trigger ASP.

When a triggering event takes place:

- If the Controlled Interface is an electrical GbE port, the port is closed.
- If the Controlled Interface is an optical GbE port, the port is muted.

The Controlled Interface remains closed or muted until all triggering events are cleared.

In addition, when a local triggering event takes place, the ASP mechanism sends an indication to the remote side of the link. Even when no triggering event has taken place, the ASP mechanism sends periodic update messages indicating that no triggering event has taken place.

Users can configure a trigger delay time, so that when a triggering event takes place, the ASP mechanism does not propagate the event until this delay time has elapsed.

#### 5.2.8.2 Automatic State Propagation and Protection

When the Controlled Interface is part of a 1+1 protection pair, such as a 1+1 HSB protection configuration, a port shutdown message is only sent to the remote side of the link if both of the protected interfaces are shut down.

In a 1+1 HSB configuration using Multi-Unit LAG mode, in which two Ethernet interfaces on each unit belong to a static LAG, an ASP triggering event only shuts down the external user port.

When the Monitored interface is part of a 1+1 HSB configuration, ASP is only triggered if both interfaces fail.

Closing an Ethernet port because of ASP does not trigger a protection switch.

**Note:** Support for HSB configurations is planned for future release.

#### 5.2.8.3 Preventing Loss of In-Band Management

If the link uses in-band management, shutting down the Ethernet port can cause loss of management access to the unit. To prevent this, users can configure ASP to operate in ASP Management Safe mode. In ASP Management Safe mode, the ASP mechanism does not physically shut down the Controlled Interface when ASP is triggered. Instead, the ASP mechanism sends a failure indication message. This message is used to propagate the failure indication to external equipment.

ASP Management Safe mode is particularly useful when the IP-20E unit is an element in the following network topologies:

- Ring or mesh network topology.
- An IP-20N connected to an IP-20E unit being utilized as a pipe via an Ethernet interface (back-to-back on the same site).<sup>21</sup>
- Payload traffic is spanned by G.8032 in the network.
- In-band management is spanned by MSTP in the network.
- An IP-20E unit being utilized as a pipe is running one MSTP instance for spanning in-band management.<sup>22</sup>

---

<sup>21</sup> ASP interoperability among IP-20 units requires that all units be running software version 7.7 or higher.

<sup>22</sup> G.8032 and MSTP are planned for future release.

### 5.2.9 Adaptive Bandwidth Notification (EOAM)

Adaptive Bandwidth Notification (ABN, also known as EOAM) enables third party applications to learn about bandwidth changes in a radio link when ACM is active. Once ABN is enabled, the radio unit reports bandwidth information to third-party switches.

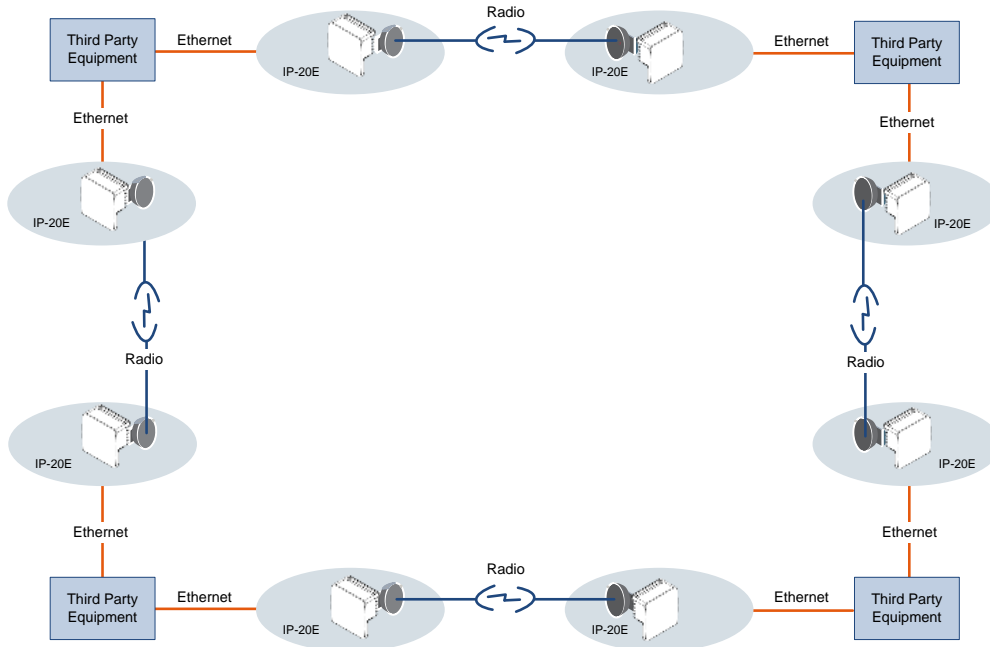


Figure 73: Network Topology with IP-20E Units and Third-Party Equipment

The ABN entity creates a logical relationship between a radio interface, called the Monitored Interface, and an Ethernet interface or a logical group of Ethernet interfaces, called the Control Interface. When bandwidth degrades from the nominal bandwidth value in the Monitored Interface, messages relating the actual bandwidth values are periodically sent over the Control Interface. A termination message is sent once the bandwidth returns to its nominal level.

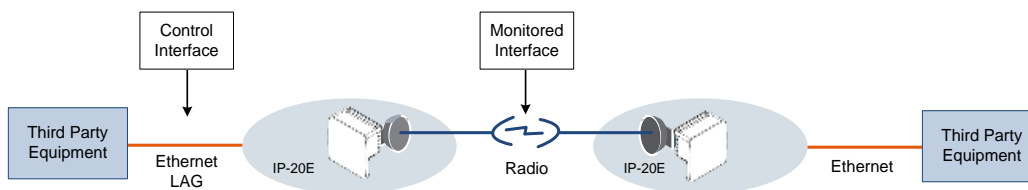


Figure 74: ABN Entity

The nominal bandwidth is calculated by the system based on the maximum bandwidth profile. The ABN entity measures the bandwidth in samples once a change in profile takes place. A weighted average is calculated based on the samples at regular, user-defined intervals to determine whether a bandwidth degradation event has occurred. Bandwidth degradation is reported only if the measured bandwidth remains below the nominal bandwidth at the end of a user-defined holdoff period. This prevents the IP-20E from reporting bandwidth degradation due to short fading events.

## 5.2.10 Network Resiliency

IP-20E provides carrier-grade service resiliency using the following protocols:

- G.8032 Ethernet Ring Protection Switching (ERPS)
- Multiple Spanning Tree Protocol (MSTP)

These protocols are designed to prevent loops in ring/mesh topologies.

**Note:** G.8032 and MSTP are planned for future release.

### 5.2.10.1 G.8032 Ethernet Ring Protection Switching (ERPS)

ERPS, as defined in the G.8032 ITU standard, is currently the most advanced ring protection protocol, providing convergence times of sub-50ms. ERPS prevents loops in an Ethernet ring by guaranteeing that at any time, traffic can flow on all except one link in the ring. This link is called the Ring Protection Link (RPL). Under normal conditions, the RPL is blocked, i.e., not used for traffic. One designated Ethernet Ring Node, the RPL Owner Node, is responsible for blocking traffic at one end of the RPL. When an Ethernet ring failure occurs, the RPL Owner unblocks its end of the RPL, allowing the RPL to be used for traffic. The other Ethernet Ring Node adjacent to the RPL, the RPL Neighbor Node, may also participate in blocking or unblocking its end of the RPL. A number of ERP instances (ERPis) can be created on the same ring.

#### G.8032 ERPS Benefits

ERPS, as the most advanced ring protection protocol, provides the following benefits:

- Provides sub-50ms convergence times.
- Provides service-based granularity for load balancing, based on the ability to configure multiple ERPis on a single physical ring.
- Provides configurable timers to control switching and convergence parameters per ERPi.

#### G.8032 ERPS Operation

The ring protection mechanism utilizes an APS protocol to implement the protection switching actions. Forced and manual protection switches can also be initiated by the user, provided the user-initiated switch has a higher priority than any other local or far-end request.

Ring protection switching is based on the detection of defects in the transport entity of each link in the ring. For purposes of the protection switching process, each transport entity within the protected domain has a state of either Signal Fail (SF) or Non-Failed (OK). R-APS control messages are forwarded by each node in the ring to update the other nodes about the status of the links.

**Note:** An additional state, Signal Degrade (SD), is planned for future release. The SD state is similar to SF, but with lower priority.

Users can configure up to 16 ERPIs. Each ERPI is associated with an Ethernet service defined in the system. This enables operators to define a specific set of G.8032 characteristics for individual services or groups of services within the same physical ring. This includes a set of timers that enables operators to optimize protection switching behavior per ERPI:

- **Wait to Restore (WTR) Timer** – Defines a minimum time the system waits after signal failure is recovered before reverting to idle state.
- **Guard Time** – Prevents unnecessary state changes and loops.
- **Hold-off Time** – Determines the time period from failure detection to response.

Each ERPI maintains a state machine that defines the node’s state for purposes of switching and convergence. The state is determined according to events that occur in the ring, such as signal failure and forced or manual switch requests, and their priority. Possible states are:

- Idle
- Protecting
- Forced Switch (FS)
- Manual Switch (MS)
- Pending

As shown in the following figure, in idle (normal) state, R-APS messages pass through all links in the ring, while the RPL is blocked for traffic. The RPL can be on either edge of the ring. R-APS messages are sent every five seconds.

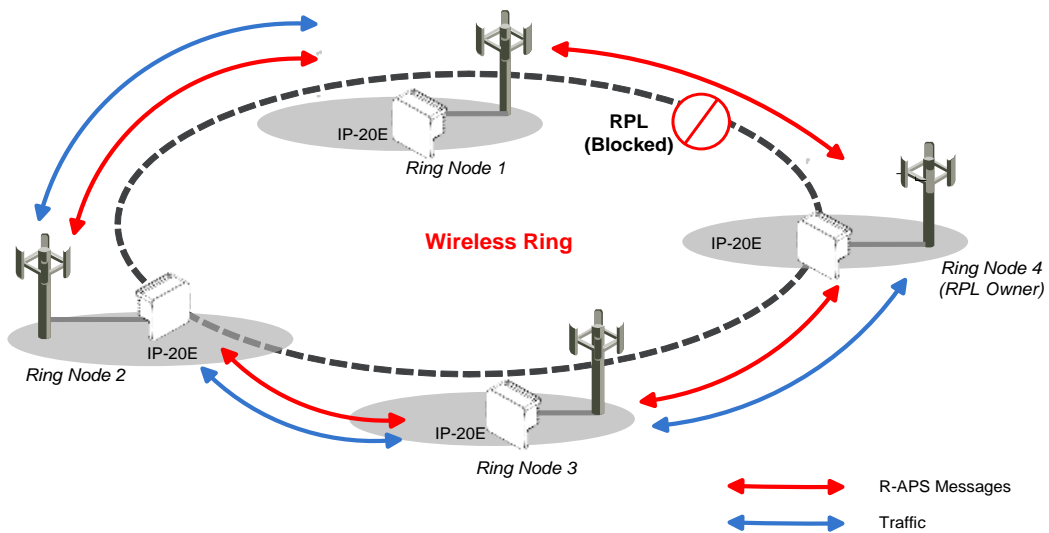


Figure 75: G.8032 Ring in Idle (Normal) State

Once a signal failure is detected, the RPL is unblocked for each ERPI. As shown in the following figure, the ring switches to protecting state. The nodes that detect the failure send periodic SF messages to alert the other nodes in the link of the failure and initiate the protecting state.

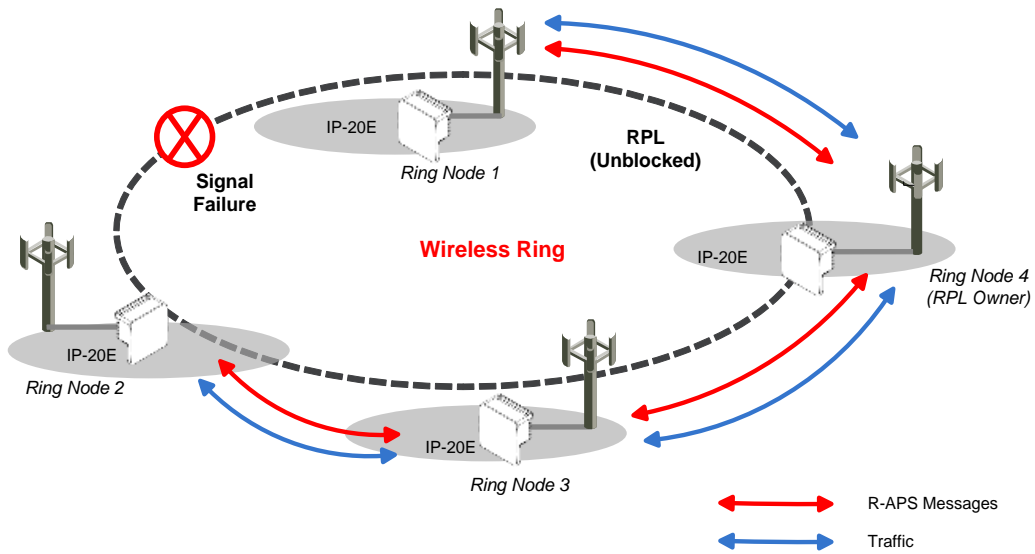


Figure 76: G.8032 Ring in Protecting State

The ability to define multiple ERPIs and assign them to different Ethernet services or groups of services enables operators to perform load balancing by configuring a different RPL for each ERPI. The following figure illustrates a ring in which four ERPIs each carry services with 33% capacity in idle state, since each link is designated the RPL, and is therefore idle, for a different ERPI.

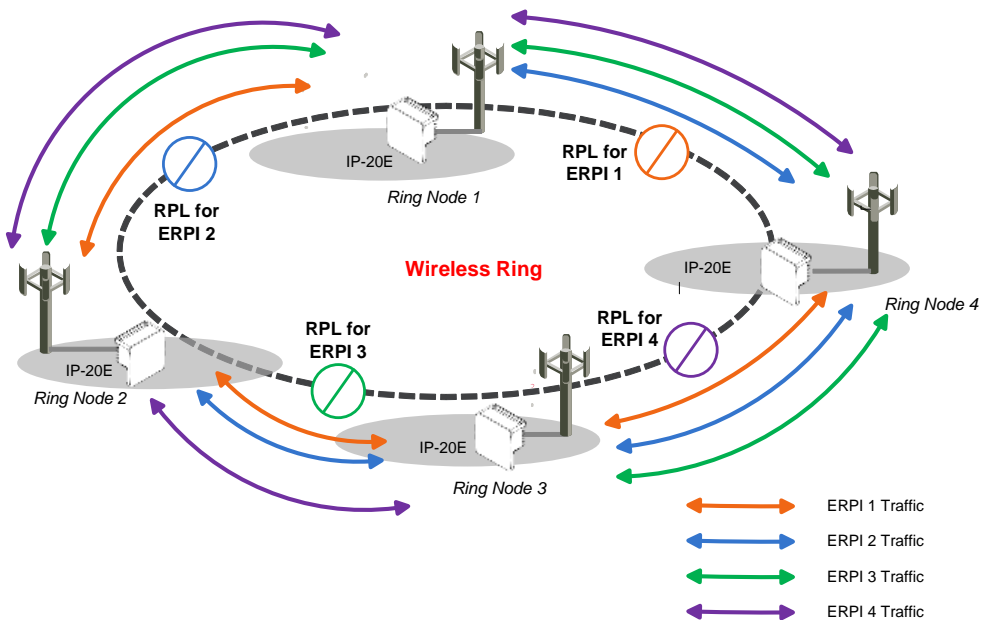


Figure 77: Load Balancing Example in G.8032 Ring



### 5.2.10.2 Multiple Spanning Tree Protocol (MSTP)

MSTP, as defined in IEEE 802.1q, provides full connectivity for frames assigned to any given VLAN throughout a bridged LAN consisting of arbitrarily interconnected bridges.

With MSTP, an independent multiple spanning tree instance (MSTI) is configured for each group of services, and only one path is made available (unblocked) per spanning tree instance. This prevents network loops and provides load balancing capability. It also enables operators to differentiate among Ethernet services by mapping them to different, specific MSTIs. The maximum number of MSTIs is configurable, from 2 to 16.

MSTP is an extension of, and is backwards compatible with, Rapid Spanning Tree Protocol (RSTP).

IP-20E supports MSTP according to the following IEEE standards:

- 802.1q
- 802.1ad amendment (Q-in-Q)
- 802.1ah (TE instance)

#### MSTP Benefits

MSTP significantly improves network resiliency in the following ways:

- Prevents data loops by configuring the active topology for each MSTI such that there is never more than a single route between any two points in the network.
- Provides for fault tolerance by automatically reconfiguring the spanning tree topology whenever there is a bridge failure or breakdown in a data path.
- Automatically reconfigures the spanning tree to accommodate addition of bridges and bridge ports to the network, without the formation of transient data loops.
- Enables frames assigned to different services or service groups to follow different data routes within administratively established regions of the network.
- Provides for predictable and reproducible active topology based on management of the MSTP parameters.
- Operates transparently to the end stations.
- Consumes very little bandwidth to establish and maintain MSTIs, constituting a small percentage of the total available bandwidth which is independent of both the total traffic supported by the network and the total number of bridges or LANs in the network.
- Does not require bridges to be individually configured before being added to the network.

## MSTP Operation

MSTP includes the following elements:

- **MST Region** – A set of physically connected bridges that can be portioned into a set of logical topologies.
- **Internal Spanning Tree (IST)** – Every MST Region runs an IST, which is a special spanning tree instance that disseminates STP topology information for all other MSTIs.
- **CIST Root** – The bridge that has the lowest Bridge ID among all the MST Regions.
- **Common Spanning Tree (CST)** – The single spanning tree calculated by STP, RSTP, and MSTP to connect MST Regions. All bridges and LANs are connected into a single CST.
- **Common Internal Spanning Tree (CIST)** – A collection of the ISTs in each MST Region, and the CST that interconnects the MST regions and individual spanning trees. MSTP connects all bridges and LANs with a single CIST.

MSTP specifies:

- An MST Configuration Identifier that enables each bridge to advertise its configuration for allocating frames with given VIDs to any of a number of MSTIs.
- A priority vector that consists of a bridge identifier and path cost information for the CIST.
- An MSTI priority vector for any given MSTI within each MST Region.

Each bridge selects a CIST priority vector for each port based on the priority vectors and MST Configuration Identifiers received from the other bridges and on an incremental path cost associated with each receiving port. The resulting priority vectors are such that in a stable network:

- One bridge is selected to be the CIST Root.
- A minimum cost path to the CIST Root is selected for each bridge.
- The CIST Regional Root is identified as the one root per MST Region whose minimum cost path to the root is not through another bridge using the same MST Configuration Identifier.

Based on priority vector comparisons and calculations performed by each bridge for each MSTI, one bridge is independently selected for each MSTI to be the MSTI Regional Root, and a minimum cost path is defined from each bridge or LAN in each MST Region to the MSTI Regional Root.

The following events trigger MSTP re-convergence:

- Addition or removal of a bridge or port.
- A change in the operational state of a port or group (LAG or protection).
- A change in the service to instance mapping.
- A change in the maximum number of MSTIs.
- A change in an MSTI bridge priority, port priority, or port cost.

**Note:** All except the last of these triggers can cause the entire MSTP to re-converge. The last trigger only affects the modified MSTI.

### **MSTP Interoperability**

MSTP in IP-20E units is interoperable with:

- FibeAir IP-10 units running RSTP.
- Third-party bridges running MSTP.
- Third-party bridges running RSTP

### 5.2.11 OAM

FibeAir IP-20E provides complete Service Operations Administration and Maintenance (SOAM) functionality at multiple layers, including:

- Fault management status and alarms.
- Maintenance signals, such as AIS, and RDI.
- Maintenance commands, such as loopbacks and Linktrace commands.

IP-20E is fully compliant with 802.1ag, G.8013/Y.1731, MEF-17, MEF-20, MEF-30, and MEF-31.

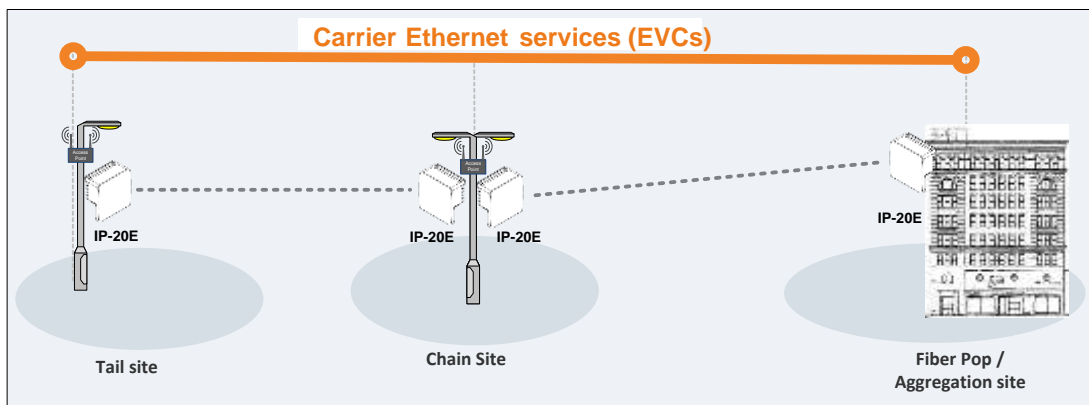


Figure 78: IP-20E End-to-End Service Management

#### 5.2.11.1 Connectivity Fault Management (FM)

The IEEE 802.1ag and G.8013/Y.1731 standards and the MEF-17, MEF-20, MEF-30, and MEF-31 specifications define SOAM. SOAM is concerned with detecting, isolating, and reporting connectivity faults spanning networks comprising multiple LANs, including LANs other than IEEE 802.3 media.

IEEE 802.1ag Ethernet FM (Connectivity Fault Management) consists of three protocols that operate together to aid in fault management:

- Continuity check
- Link trace
- Loopback.

FibeAir IP-20E utilizes these protocols to maintain smooth system operation and non-stop data flow.

The following are the basic building blocks of FM:

- Maintenance domains, their constituent maintenance points, and the managed objects required to create and administer them.

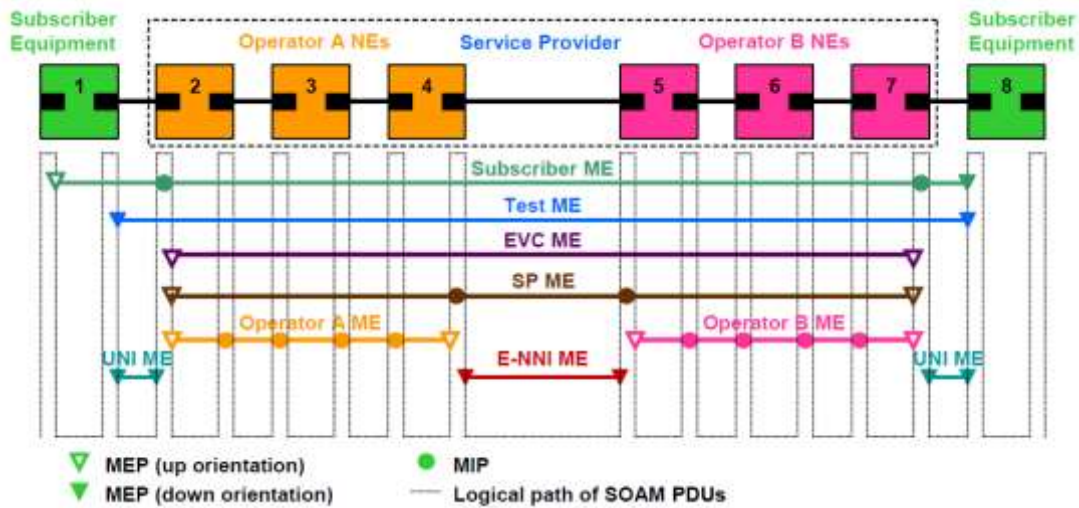


Figure 79: SOAM Maintenance Entities (Example)

- Protocols and procedures used by maintenance points to maintain and diagnose connectivity faults within a maintenance domain.
  - CCM (Continuity Check Message): CCM can detect Connectivity Faults (loss of connectivity or failure in the remote MEP).
  - Loopback: LBM/LBR mechanism is an on-demand mechanism. It is used to verify connectivity from any MEP to any certain Maintenance Point in the MA/MEG. A session of loopback messages can include up to 1024 messages with varying intervals ranging from 1 to 60 seconds. Message size can reach jumbo frame size.
  - Linktrace: The LTM/LTR mechanism is an on-demand mechanism. It can detect the route of the data from any MEP to any other MEP in the MA/MEG. It can be used for the following purposes:
    - Adjacent relation retrieval – The ETH-LT function can be used to retrieve the adjacency relationship between an MEP and a remote MEP or MIP. The result of running ETH-LT function is a sequence of MIPs from the source MEP until the target MIP or MEP.
    - Fault localization – The ETH-LT function can be used for fault localization. When a fault occurs, the sequence of MIPs and/or MEP will probably be different from the expected sequence. The difference between the sequences provides information about the fault location.
    - AIS: AIS (defined in G.8013/Y.1731O) is the Ethernet alarm indication signal function used to suppress alarms following detection of defect conditions at the server (sub) layer.

### 5.2.11.2 Ethernet Line Interface Loopback

FibeAir IP-20E supports loopback testing for its radio interfaces. In addition, the Ethernet Line Interface Loopback feature provides the ability to run loopbacks over the link. When Ethernet loopback is enabled on an interface, the system loops back all packets ingressing the interface. This enables loopbacks to be performed over the link from other points in the network.

For example, as shown in the figure below, a loopback can be performed from test equipment over the line to an Ethernet interface. A loopback can also be performed from the other side of the radio link.

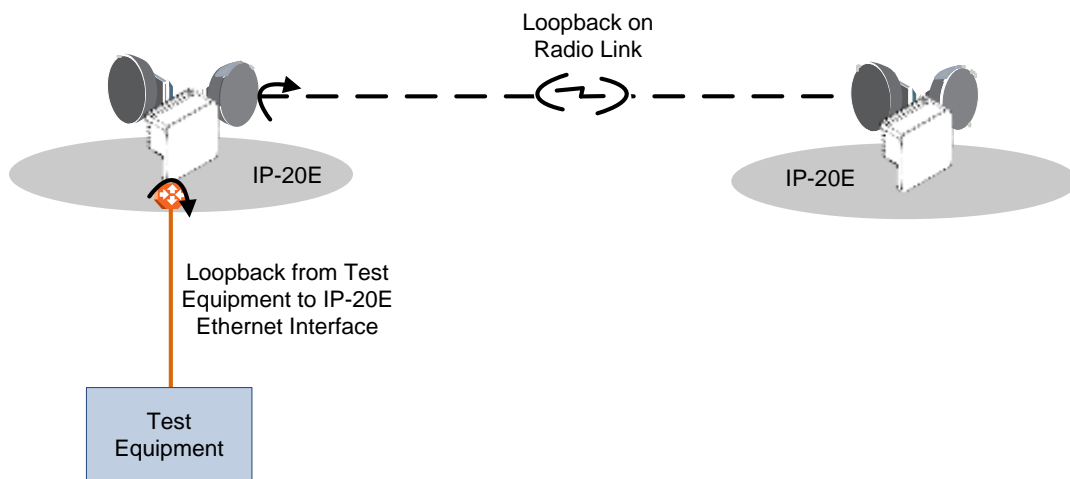


Figure 80: Ethernet Line Interface Loopback – Application Examples

Ethernet loopbacks can be performed on any logical interface. This includes GbE interfaces, radio interfaces, and LAGS. Ethernet loopbacks cannot be performed on the management interface.

The following parameters can be configured for an Ethernet loopback:

- The interface can be configured to swap DA and SA MAC addresses during the loopback. This prevents Ethernet loops from occurring. It is recommended to enable MAC address swapping if MSTP or LLDP is enabled.
- Ethernet loopback has a configurable duration period of up to 15 minutes, but can be disabled manually before the duration period ends. Permanent loopback is not supported.

Ethernet loopbacks can be configured on more than one interface simultaneously.

When an Ethernet loopback is active, network resiliency protocols (G.8032 and MSTP) will detect interface failure due to the failure to receive BPDUs.<sup>23</sup>

In a system using in-band management, Ethernet loopback activation on the remote side of the link causes loss of management to the remote unit. The duration period of the loopback should take this into account.

<sup>23</sup> G.8032 and MSTP are planned for future release.

### 5.2.11.3 SFP DDM and Inventory Monitoring

FibeAir IP-20E supports static and dynamic monitoring for all SFP modules, including all SFP, SFP+, and CSFP modules used in Ethernet ports. Dynamic monitoring PMs are also available.

DDM (Digital Diagnostic Monitoring) enables users to display dynamic information about the SFP state, including:

- RX Power (in dBm)
- TX Power (in dBm)
- Bias current (mA)
- Temperature (both Celsius and Fahrenheit)

Inventory monitoring enables users to display the following information about each SFP module installed in the IP-20 unit:

- Connector Type
- Transceiver Type (e.g., 10G BASE-LR)
- Vendor Name
- Vendor Part Number
- Vendor Serial Number
- Vendor Revision
- Wavelength

**Note:** For CSFP modules, two wavelengths are shown.

- Maximum length of link per fiber optic cable type

DDM PMs can be displayed for 15-minute and 24-hour intervals. For each interval, the following PMs are displayed:

- Minimum RX power during the interval (dBm)
- Average RX power during the interval (dBm)
- Maximum RX power during the interval (dBm)
- Minimum TX power during the interval (dBm)
- Average TX power during the interval (dBm)
- Maximum TX power during the interval (dBm)

**Note:** DDM parameters are not relevant for electrical SFPs.

Thresholds for these alarms are programmed into the SFP modules by the manufacturer.

### 5.3 Frequency Scanner

Operating in the E-band poses both challenges and advantages with respect to interference and interference mitigation. On one hand, since the E-band is an unlicensed band in many countries, systems operating in the E-band must be able to handle interference scenarios. On the other hand, the nature of the E-band spectrum provides a degree of built-in interference mitigation through an unusually high degree of oxygen and rain attenuation and a wide range of available channels. Ceragon's use of narrow-beamed antennas with the IP-20E further minimizes the occurrence of interference.

To further facilitate optimal IP-20E operation in frequency scenarios, IP-20E includes a frequency scanner that enables users to scan a defined frequency range and determine the current interference level for each channel.

The frequency scanner can be used both in the initial provisioning of the link and at any time after the link has been provisioned. The scanner is run at both sides of the link to determine the interference level for each RX channel. Using this information, the user can select the channels with the least interference, and configure IP-20E's frequency accordingly.

The frequency scanner can be run in either of two modes, over a user-defined frequency range:

- **Continuous Mode** – The frequency scanner scans each channel in the script, and repeats the scan continuously until the user manually stops the scan. For each channel, the Web EMS displays the minimum, maximum, and most recently measured interference levels, in table and graph formats.
- **Single Mode** – The frequency scanner scans each channel in the script once. For each channel, the Web EMS displays the measured interference level, in table and graph formats.



## 5.4 Synchronization

This section describes IP-20E's flexible synchronization solution that enables operators to configure a combination of synchronization techniques, based on the operator's network and migration strategy, including:

- PTP optimized transport, supporting IEEE 1588 and NTP, with guaranteed ultra-low PDV and support for ACM and narrow channels.
- Native Sync Distribution, for end-to-end distribution using GbE.
- SyncE PRC Pipe Regenerator mode, providing PRC grade (G.811) performance for pipe ("regenerator") applications.

### This section includes:

- IP-20E Synchronization Solution
- Available Synchronization Interfaces
- Synchronous Ethernet (SyncE)
- IEEE-1588v2 PTP Optimized Transport
- SSM Support and Loop Prevention

### Related topics:

- NTP Support

### 5.4.1 IP-20E Synchronization Solution

Ceragon's synchronization solution ensures maximum flexibility by enabling the operator to select any combination of techniques suitable for the operator's network and migration strategy.

- Native Sync Distribution
  - End-to-End Native Synchronization distribution
  - Synchronization Status Messages (SSM) to prevent loops and enable use of most reliable clock source
  - User-defined clock source priority and quality level
  - Automated determination of relative clock source quality levels
- SyncE PRC Pipe Regenerator mode
  - PRC grade (G.811) performance for pipe ("regenerator") applications
- IEEE-1588v2 PTP Optimized Transport
  - Transparent Clock – Resides between master and slave nodes, and measures and adjusts for delay variation to guarantee ultra-low PDV.
  - Boundary Clock – Regenerates frequency and phase synchronization, providing, increasing the scalability of the synchronization network while rigorously maintaining timing accuracy.<sup>24</sup>

---

<sup>24</sup> Boundary Clock is planned for future release.

### 5.4.2 Available Synchronization Interfaces

Frequency signals can be taken by the system from a number of different interfaces (one reference at a time). The reference frequency may also be conveyed to external equipment through different interfaces.

*Table 26: Synchronization Interface Options*

Available interfaces as frequency input (reference sync source)	Available interfaces as frequency output
<ul style="list-style-type: none"> <li>• Radio carrier</li> <li>• GbE Ethernet interfaces</li> </ul>	<ul style="list-style-type: none"> <li>• Radio carrier</li> <li>• GbE Ethernet interfaces</li> </ul>

It is possible to configure up to eight synchronization sources in the system. At any given moment, only one of these sources is active; the clock is taken from the active source onto all other appropriately configured interfaces.

### 5.4.3 Synchronous Ethernet (SyncE)

SyncE is standardized in ITU-T G.8261 and G.8262, and refers to a method whereby the frequency is delivered on the physical layer.

#### 5.4.3.1 SyncE PRC Pipe Regenerator Mode

**Note:** SyncE PRC pipe regenerator mode is not supported with IP-20E ESP hardware versions. Support is planned for future release.

In SyncE PRC pipe regenerator mode, frequency is transported between two GbE interfaces through the radio link.

PRC pipe regenerator mode makes use of the fact that the system is acting as a simple link (so no distribution mechanism is necessary) in order to achieve the following:

- Improved frequency distribution performance, with PRC quality.
- Simplified configuration

In PRC pipe regenerator mode, frequency is taken from the incoming GbE Ethernet signal, and used as a reference for the radio frame. On the receiver side, the radio frame frequency is used as the reference signal for the outgoing Ethernet PHY.

Frequency distribution behaves in a different way for optical and electrical GbE interfaces, because of the way these interfaces are implemented:

- For optical interfaces, separate and independent frequencies are transported in each direction.
- For electrical interfaces, each PHY must act either as clock master or as clock slave in its own link. For this reason, frequency can only be distributed in one direction, determined by the user.

### 5.4.4 IEEE-1588v2 PTP Optimized Transport

Precision Timing Protocol (PTP) refers to the distribution of frequency and phase, information across a packet-switched network.

IP-20E supports PTP optimized transport, a message-based protocol that can be implemented across packet-based networks. To ensure minimal packet delay variation (PDV), IP-20E's synchronization solution includes 1588v2-compliant Transparent Clock. Transparent Clock provides the means to measure and adjust for delay variation, thereby ensuring low PDV.

IEEE-1588v2 PTP synchronization is based on a master-slave architecture in which the master and slave exchange PTP packets carrying clock information. The master is connected to a reference clock, and the slave synchronizes itself to the master.

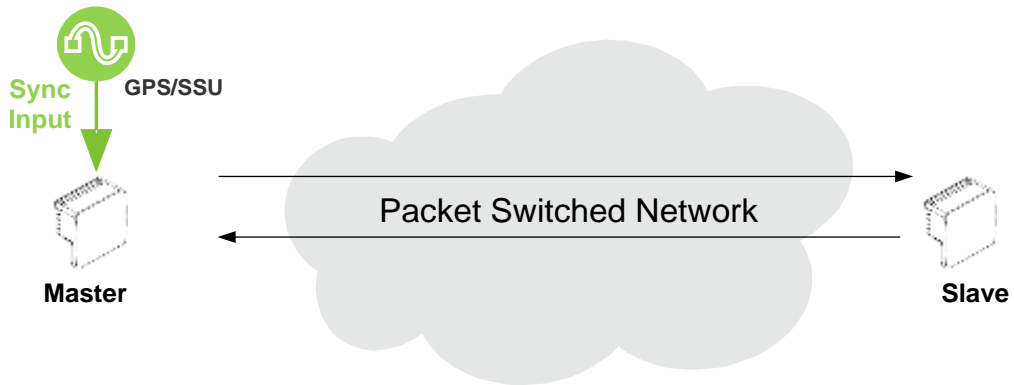


Figure 81: IEEE-1588v2 PTP Optimized Transport – General Architecture

Accurate synchronization requires a determination of the propagation delay for PTP packets. Propagation delay is determined by a series of messages between the master and slave.

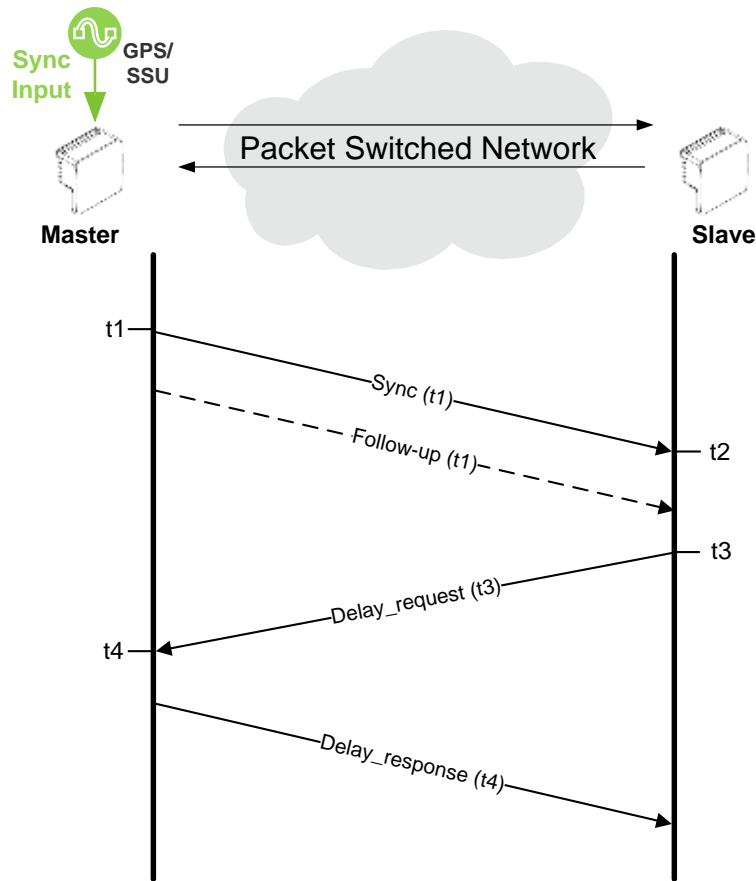


Figure 82: Calculating the Propagation Delay for PTP Packets

In this information exchange:

- 1 The master sends a Sync message to the slave and notes the time (t1) the message was sent.

- 2 The slave receives the Sync message and notes the time the message was received (t2).
- 3 The master conveys the t1 timestamp to the slave, in one of the following ways:
  - One-Step – Embedding the t1 timestamp in the Sync message.
  - Two-Step – Embedding the t1 timestamp in a Follow-up message.
- 4 The slave sends a Delay\_request message to the master and notes the time the message was sent (t3).
- 5 The master receives the Delay\_request message and notes the time the message was received (t4).
- 6 The master conveys the t4 timestamp to the slave by embedding the t4 timestamp in a Delay\_response message.

Based on this message exchange, the protocol calculates both the clock offset between the master and slave and the propagation delay, based on the following formulas:

$$\text{Offset} = [(t2 - t1) - (t4 - t3)]/2$$

$$\text{Propagation Delay} = [(t2 - t1) + (t4 - t3)]/2$$

The calculation is based on the assumption that packet delay is constant and that delays are the same in each direction. For information on the factors that may undermine these assumptions and how IP-20E's IEEE-1588v2 implementations mitigate these factors, see *Mitigating PDV* on page 158.

#### 5.4.4.1 IEEE-1588v2 Characteristics

IEEE-1588v2 provides packet-based synchronization that can transmit both frequency accuracy and phase information. This is essential for LTE applications, and adds the ability to transmit phase information to SyncE.

Other IEEE-1588v2 benefits include:

- Nanosecond precession.
- Meets strict LTE-A requirements for rigorous frequency and phase timing.
- Hardware time stamping of PTP packets.
- Standard protocol compatible with third-party equipment.
- Short frame and higher message rates.
- Supports unicast as well as multicast.
- Enables smooth transition from unsupported networks.
- Mitigates PDV issues by using Transparent Clock and Boundary Clock (see *Mitigating PDV* on page 158).
- Minimal consumption of bandwidth and processing power.
- Simple configuration.

#### 5.4.4.2 Mitigating PDV

To get the most out of PTP and minimize PDV, IP-20E supports Transparent Clock and Boundary Clock<sup>25</sup>.

PTP calculates path delay based on the assumption that packet delay is constant and that delays are the same in each direction. Delay variation invalidates this assumption. High PDV in wireless transport for synchronization over packet protocols, such as IEEE-1588, can dramatically affect the quality of the recovered clock. Slow variations are the most harmful, since in most cases it is more difficult for the receiver to average out such variations.

PDV can arise from both packet processing delay variation and radio link delay variation.

Packet processing delay variation can be caused by:

- Queuing Delay – Delay associated with incoming and outgoing packet buffer queuing.
- Head of Line Blocking – Occurs when a high priority frame, such as a frame that contains IEEE-1588 information, is forced to wait until a lower-priority frame that has already started to be transmitted completes its transmission.
- Store and Forward – Used to determine where to send individual packets. Incoming packets are stored in local memory while the MAC address table is searched and the packet's cyclic redundancy field is checked before the packet is sent out on the appropriate port. This process introduces variations in the time latency of packet forwarding due to packet size, flow control, MAC address table searches, and CRC calculations.

Radio link delay variation is caused by the effect of ACM, which enables dynamic modulation changes to accommodate radio path fading, typically due to weather changes. Lowering modulation reduces link capacity, causing traffic to accumulate in the buffers and producing transmission delay.

**Note:** When bandwidth is reduced due to lowering of the ACM modulation point, it is essential that high priority traffic carrying IEEE-1588 packets be given the highest priority using IP-20E's enhanced QoS mechanism, so that this traffic will not be subject to delays or discards.

These factors can combine to produce a minimum and maximum delay, as follows:

- Minimum frame delay can occur when the link operates at a high modulation and no other frame has started transmission when the IEEE-1588 frame is ready for transmission.
- Maximum frame delay can occur when the link is operating at QPSK modulation and a large (e.g., 1518 bytes) frame has just started transmission when the IEEE-1588 frame is ready for transmission.

---

<sup>25</sup> Boundary Clock is planned for future release.

The worst case PDV is defined as the greatest difference between the minimum and maximum frame delays. The worst case can occur not just in the radio equipment itself but in every switch across the network.

To ensure minimal packet delay variation (PDV), IP-20E’s synchronization solution includes 1588v2-compliant Transparent Clock and Boundary Clock synchronization protocols. The following two sections describe these protocols and how they counter PDV.

### 5.4.4.3 Transparent Clock

IP-20E supports End-to-End Transparent Clock, which updates the correction field for the delay associated with individual packet transfers. End-to-End Transparent Clock is the most appropriate option for microwave radio links.

A Transparent Clock node resides between a master and a slave node, and updates the packets passing between the master and slave to compensate for delay, enabling the terminating clock in the slave node to remove the delay accrued in the Transparent Clock node. The Transparent Clock node is itself neither a master nor a slave node, but rather, serves as a bridge between master and slave nodes.

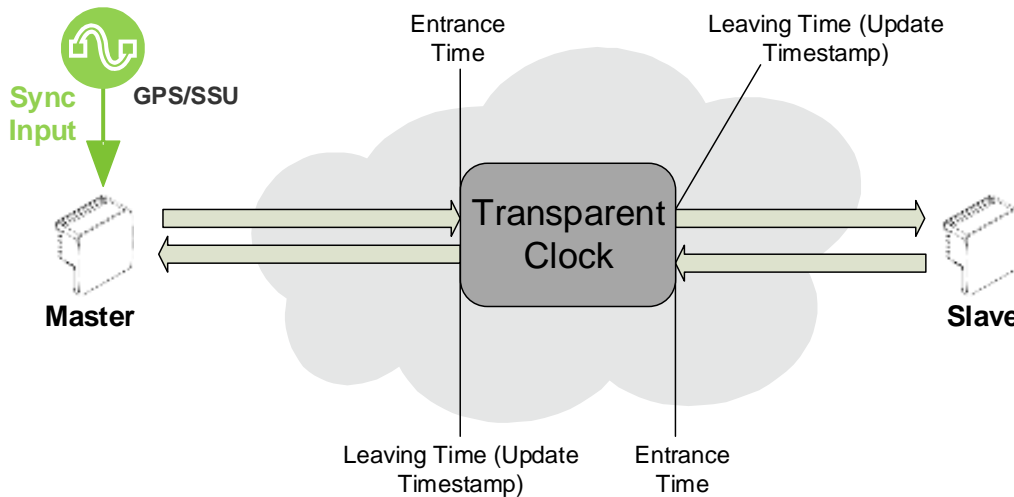


Figure 83: Transparent Clock – General Architecture

IP-20E uses 1588v2-compliant Transparent Clock to counter the effects of asymmetrical delay and delay variation. Transparent Clock measures and adjusts for delay variation, enabling the IP-20E to guarantee ultra-low PDV.

The Transparent Clock algorithm forwards and adjusts the messages to reflect the residency time associated with the Sync and Delay\_Request messages as they pass through the device. The delays are inserted in the 64-bit time-interval correction field.

As shown in the figure below, IP-20E measures and updates PTP messages based on both the radio link delay, and the packet processing delay that results from the network processor (switch operation).

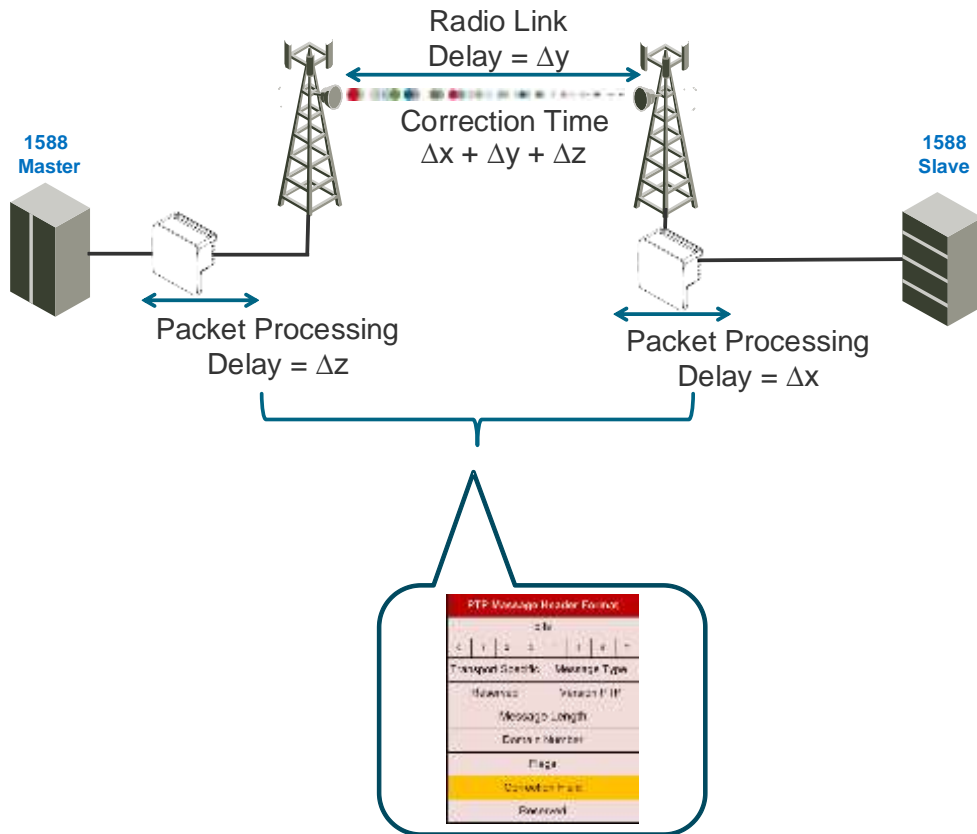


Figure 84: Transparent Clock Delay Compensation

1.1.1.1. Boundary Clock

**Note:** Boundary Clock is planned for future release.

IEEE-1588v2 Boundary Clock enables the IP-20E to regenerate phase synchronization via standard Ethernet. Boundary Clock complies with ITU-T Telecom Profile G.8275.1. This enables IP-20E, with Boundary Clock, to meet the rigorous synchronization requirements of LTE-Advanced (LTE-A) networks.

In Boundary Clock, a single node can include up to four ports; master ports for time stamp distribution and one slave port that is locked onto a grandmaster.

The Boundary Clock node terminates the PTP flow on the slave port, recovers the clock and timestamp, and regenerates the PTP flow on the master ports. The Boundary Clock node selects the best synchronization source available in the domain and regenerates PTP towards the slave clocks. This reduces the processing load from grandmaster clocks and increases the scalability of the synchronization network, while rigorously maintaining timing accuracy.



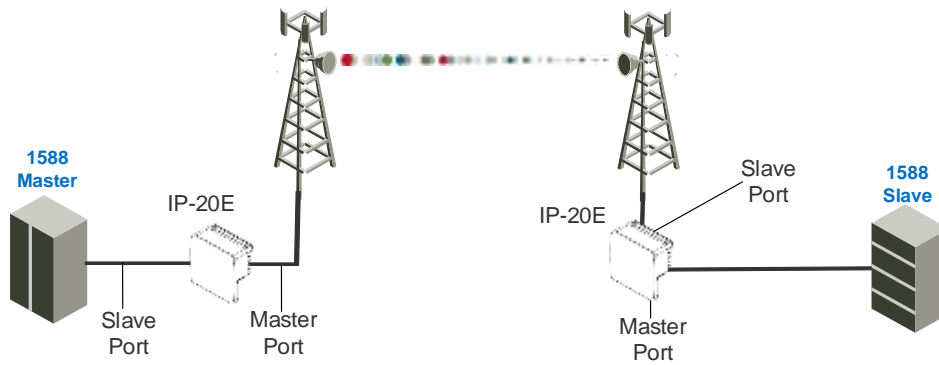


Figure 85: Boundary Clock – General Architecture

Boundary Clock uses the Best Master Clock Algorithm (BMCA) to determine which of the clocks in the network has the highest quality. This clock is designated the grandmaster, and it synchronizes all other clocks (slave clocks) in the network. If the grandmaster is removed from the network, or the BMCA determines that another clock has superior quality, the BMCA defines a new grandmaster and adjusts all other clocks accordingly. This process is fault tolerant, and no user input is required.

A node running as master clock can use the following inputs and outputs.

Table 27: Boundary Clock Input Options

Synchronization Input	Frequency/Phase
Ethernet packets from PTP 1588 Remote Master via radio or Ethernet interface	Phase
SyncE (including ESMC) via radio or Ethernet interface	Frequency

Table 28: Boundary Clock Output Options

Synchronization Input	Frequency/Phase
Ethernet packets towards PTP 1588 slaves via radio or Ethernet interface	Phase
SyncE (including ESMC) via radio or Ethernet interface	Frequency

IP-20E uses multicast Ethernet messages, per IEEE-1588 Annex F.

### 5.4.5 SSM Support and Loop Prevention

In order to provide topological resiliency for synchronization transfer, IP-20E implements the passing of SSM messages over the radio interfaces. SSM timing in IP-20E complies with ITU-T G.781.

In addition, the SSM mechanism provides reference source resiliency, since a network may have more than one source clock.

The following are the principles of operation:

- At all times, each source interface has a “quality status” which is determined as follows:
  - If quality is configured as fixed, then the quality status becomes “failure” upon interface failure (such as LOS, LOC, LOF, etc.).
  - If quality is automatic, then the quality is determined by the received SSMs or becomes “failure” upon interface failure (such as LOS, LOC, LOF, etc.).
- Each unit holds a parameter which indicates the quality of its reference clock. This is the quality of the current synchronization source interface.
- The reference source quality is transmitted through SSM messages to all relevant radio interfaces.
- Each unit determines the current active clock reference source interface:
  - The interface with the highest available quality is selected.
  - From among interfaces with identical quality, the interface with the highest priority is selected.
- In order to prevent loops, an SSM with quality “Do Not Use” is sent towards the active source interface

At any given moment, the system enables users to display:

- The current source interface quality.
- The current received SSM status for every source interface.
- The current node reference source quality.

As a reference, the following are the possible quality values (from highest to lowest):

- AUTOMATIC (available only in interfaces for which SSM support is implemented)
- G.811 (ETSI systems)
- SSU-A (ETSI systems)
- SSU-B (ETSI systems)
- G.813/8262 – default (ETSI systems)
- PRS (ANSI systems)
- Stratum 2 (ANSI systems)
- Transit Node (ANSI systems)
- Stratum 3E (ANSI systems)
- Stratum 3 (ANSI systems)
- SMC (ANSI systems)

- Unknown (ANSI systems)
- DO NOT USE
- Failure (cannot be configured by user)

## 6. FibeAir IP-20E Management

### This chapter includes:

- Management Overview
- Automatic Network Topology Discovery with LLDP Protocol
- Management Communication Channels and Protocols
- Web-Based Element Management System (Web EMS)
- WiFi Management
- Command Line Interface (CLI)
- Configuration Management
- Software Management
- CeraPlan Service for Creating Pre-Defined Configuration Files
- IPv6 Support
- In-Band Management
- Local Management
- Alarms
- NTP Support
- UTC Support
- System Security Features

## 6.1 Management Overview

The Ceragon management solution is built on several layers of management:

- NEL – Network Element-level CLI
- EMS – HTTP web-based EMS
- NMS and SML –Ceragon NMS platform

Every FibeAir IP-10 and IP-20 network element includes an HTTP web-based element manager that enables the operator to perform element configuration, performance monitoring, remote diagnostics, alarm reports, and more.

In addition, Ceragon provides an SNMP v1/v2c/v3 northbound interface on the IP-20E.

Ceragon offers an NMS solution for providing centralized operation and maintenance capability for the complete range of network elements in an IP-20E system.

In addition, management, configuration, and maintenance tasks can be performed directly via the IP-20E Command Line Interface (CLI). The CLI can be used to perform configuration operations for IP-20E units, as well as to configure several IP-20E units in a single batch command.

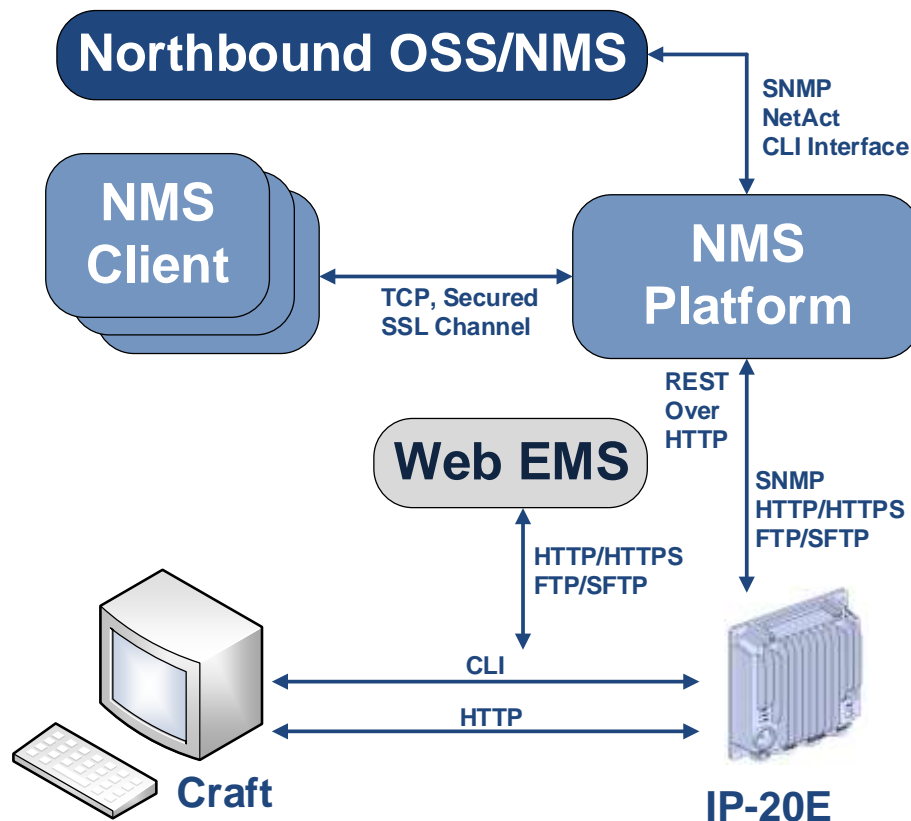


Figure 86: Integrated IP-20E Management Tools

## 6.2 Automatic Network Topology Discovery with LLDP Protocol

FibeAir IP-20E supports the Link Layer Discovery Protocol (LLDP), a vendor-neutral layer 2 protocol that can be used by a station attached to a specific LAN segment to advertise its identity and capabilities and to receive identity and capacity information from physically adjacent layer 2 peers. IP-20E's LLDP implementation is based on the IEEE 802.1AB – 2009 standard.

LLDP provides automatic network connectivity discovery by means of a port identity information exchange between each port and its peer. The port exchanges information with its peer and advertises this information to the NMS managing the unit. This enables the NMS to quickly identify changes to the network topology.

Enabling LLDP on IP-20 units enables the NMS to:

- Automatically detect the IP-20 unit neighboring the managed IP-20 unit, and determine the connectivity state between the two units.
- Automatically detect a third-party switch or router neighboring the managed IP-20 unit, and determine the connectivity state between the IP-20 unit and the switch or router.

### 6.3 Management Communication Channels and Protocols

**Related Topics:**

- Secure Communication Channels

Network Elements can be accessed locally via serial or Ethernet management interfaces, or remotely through the standard Ethernet LAN. The application layer is indifferent to the access channel used.

The NMS can be accessed through its GUI interface application, which may run locally or in a separate platform; it also has an SNMP-based northbound interface to communicate with other management systems.

*Table 29: Dedicated Management Ports*

Port number	Protocol	Frame structure	Details
161	SNMP	UDP	Sends SNMP Requests to the network elements
162 Configurable	SNMP (traps)	UDP	Sends SNMP traps forwarding (optional)
80	HTTP	TCP	Manages devices
443	HTTPS	TCP	Manages devices (optional)
From port 21 (default) to any remote port (>1023). Initial port (21) is configurable.	FTP Control Port	TCP	Downloads software and configuration files, uploads security and configuration logs, and unit info files.  (FTP Server responds to client's control port) (optional)
From Any port (>1023) to any remote port (>1023)	FTP Data Port	TCP	Downloads software and configuration files, uploads security and configuration logs, and unit info files.  The FTP server sends ACKs (and data) to client's data port.
From port 22 (default) to any remote port (>1023). Initial port (22) is configurable.	SFTP Control Port	TCP	Downloads software and configuration files, and CSR certificates, uploads security and configuration logs, and unit info files.  (SFTP Server responds to client's control port) (optional)
From Any port (>1023) to any remote port (>1023)	SFTP Data Port	TCP	Downloads software and configuration files, and CSR certificates, uploads security and configuration logs, and unit info files.  The SFTP server sends ACKs (and data) to client's data port.
23	telnet	TCP	Remote CLI access (optional)
22	SSH	TCP	Secure remote CLI access (optional)

All remote system management is carried out through standard IP communications. Each NE behaves as a host with a single IP address.

The communications protocol used depends on the management channel being accessed.

As a baseline, these are the protocols in use:

- Standard HTTP for web-based management
- Standard telnet for CLI-based management



## 6.4 Web-Based Element Management System (Web EMS)

The CeraWeb Element Management System (Web EMS) is an HTTP web-based element manager that enables the operator to perform configuration operations and obtain statistical and performance information related to the system, including:

- **Configuration Management** – Enables you to view and define configuration data for the IP-20E system.
- **Fault Monitoring** – Enables you to view active alarms.
- **Performance Monitoring** – Enables you to view and clear performance monitoring values and counters.
- **Diagnostics and Maintenance** – Enables you to define and perform loopback tests, and software updates.
- **Security Configuration** – Enables you to configure IP-20E security features.
- **User Management** – Enables you to define users and user profiles.

A Web-Based EMS connection to the IP-20E can be opened using an HTTP Browser (Explorer or Mozilla Firefox). The Web EMS uses a graphical interface. Most system configurations and statuses are available via the Web EMS. However, some advanced configuration options are only available via CLI.

**Note:** For optimal Web EMS performance, it is recommended to ensure that the network speed is at least 100 Kbps for most operations, and at least 5 Mbps for software download operations.

The Web EMS shows the actual unit configuration and provides easy access to any interface on the unit. The Web EMS opens to a Unit and Radio Summary page that displays the key unit, link, and radio parameters on a single page for quick viewing. This page can be customized to include only specific columns and tables, enabling the user to hide information that he does not need in order to focus on the information that is most relevant to his needs in monitoring and managing the unit.

The Web EMS includes a Quick Platform Setup page designed to simplify initial configuration and minimize the time it takes to configure a working link.

The Web EMS also includes quick link configuration wizards that guide the user, step-by-step, through the creation of 1+0 links with Pipe services.

## 6.5 WiFi Management

**Note:** WiFi management is hardware-ready with the addition of a plugin module, and will be supported in future software releases.

The IP-20E is equipped with a WiFi access point supporting 802.11 b/g/n. The WiFi access point does not broadcast its SSID and enables a secure WiFi connection for technical personnel to be able to manage the IP-20E system with no wired connection using a portable device.

## 6.6 Command Line Interface (CLI)

A CLI connection to the IP-20E can be opened via telnet. All parameter configurations can be performed via CLI.

**Note:** Telnet access can be blocked by user configuration.

## 6.7 Configuration Management

The system configuration file consists of a set of all the configurable system parameters and their current values.

IP-20E configuration files can be imported and exported. This enables you to copy the system configuration to multiple IP-20E units.

System configuration files consist of a zip file that contains three components:

- A binary configuration file which is used by the system to restore the configuration.
- A text file which enables users to examine the system configuration in a readable format. The file includes the value of all system parameters at the time of creation of the backup file.
- An additional text file which enables users to write CLI scripts in order to make desired changes in the backed-up configuration. This file is executed by the system after restoring the configuration.<sup>26</sup>

The system provides three restore points to manage different configuration files. Each restore point contains a single configuration file. Files can be added to restore points by creating backups of the current system state or by importing them from an external server.

**Note:** In the Web EMS, these restore points are referred to as “file numbers.”

For example, a user may want to use one restore point to keep a last good configuration, another to import changes from an external server, and the third to store the current configuration.

Any of the restore points can be used to apply a configuration file to the system.

The user can determine whether or not to include security-related settings, such as users and user profiles, in the exported configuration file. By default, security settings are included.

**Note:** The option to enable or disable import and export of security parameters is planned for future release.

---

<sup>26</sup> The option to edit the backup configuration is planned for future release.

## 6.8 Software Management

The IP-20E software installation and upgrade process includes the following steps:

- **Download** – The files required for the installation or upgrade are downloaded from a remote server.
- **Installation** – The files are installed in the appropriate modules and components of the IP-20E.
- **Reset** – The IP-20E is restarted in order to boot the new software and firmware versions.

IP-20E software and firmware releases are provided in a single bundle that includes software and firmware for all components supported by the system. When the user downloads a software bundle, the system verifies the validity of the bundle. The system also compares the files in the bundle to the files currently installed in the IP-20E and its components, so that only files that differ between the new version bundle and the current version in the system are actually downloaded. A message is displayed to the user for each file that is actually downloaded.

**Note:** When downloading an older version, all files in the bundle may be downloaded, including files that are already installed.

Software bundles can be downloaded via FTP, SFTP, HTTP, or HTTPS. When downloading software via HTTP or HTTPS, the IP-20E unit acts as an HTTP server, and the software can be downloaded directly to the unit. When downloading software via FTP or SFTP, the IP-20E functions as an FTP or SFTP client, and FTP or SFTP server software must be installed on the PC or laptop being used to perform the upgrade.

After the software download is complete, the user initiates the installation. A timer can be used to perform the installation after a defined time interval. The system performs an automatic reset after the installation.

### 6.8.1 Backup Software Version

**Note:** Backup software version support is planned for future release.

IP-20E maintains a backup copy of the software bundle. In the event that the working software version cannot be found, or the operating system fails to start properly, the system automatically boots from the backup version, and the previously active version becomes the backup version.

Users can also update the backup version manually. The Web EMS includes a field that indicates whether or not the active and backup software versions are identical.

## 6.9 CeraPlan Service for Creating Pre-Defined Configuration Files

IP-20 units running CeraOS 9.2 or higher can be configured from the Web EMS in a single step by applying a pre-defined configuration file. This drastically reduces the initial installation and setup time in the field.

Using pre-defined configuration files also reduces the risk of configuration errors and enables operators to invest less time and money training installation personnel. Installers can focus on hardware configuration, relying on the pre-defined configuration file to implement the proper software configuration on each device.

***The pre-defined configuration file is generated by Ceragon Professional Services and provided as a service.***

A pre-defined configuration file can be prepared for multiple IP-20 units, with the relevant configuration details specified and differentiated per-unit. This simplifies administration, since a single file can be used with multiple devices.

Pre-defined configuration files can include all the parameters necessary to configure basic links, including:

- Activation Key (or Demo mode) configuration
- Radio Parameters
- Interface Groups (e.g., LAG)
- Management Service

All configurations that can be implemented via the Web EMS Quick Configuration wizards can also be configured using pre-defined configuration files.

Pre-defined configuration files can be created by Ceragon Professional Services, according to customer specifications. For further information on CeraPlan, consult your Ceragon representative.

## 6.10 IPv6 Support

FibeAir IP-20E management communications can use both IPv4 and IPv6. The unit IP address for management can be configured in either or both formats.

Additionally, other management communications can utilize either IPv4 or IPv6. This includes:

- Software file downloads
- Configuration file import and export
- Trap forwarding
- Unit information file export (used primarily for maintenance and troubleshooting)

## 6.11 In-Band Management

FibeAir IP-20E can optionally be managed In-Band, via its radio and Ethernet interfaces. This method of management eliminates the need for a dedicated management interface. For more information, refer to *Management Service (MNG)* on page 87.

## 6.12 Local Management

IP-20E includes an electrical GbE management port.

## 6.13 Alarms

### 6.13.1 Configurable BER Threshold for Alarms and Traps

Users can configure alarm and trap generation in the event of Excessive BER and Signal Degrade BER above user-defined thresholds. Users have the option to configure whether or not excessive BER is propagated as a fault and considered a system event.

### 6.13.2 RSL Threshold Alarm

Users can configure an alarm that is raised if the RSL falls beneath a user-defined threshold. This feature can be enabled or disabled per radio carrier. By default, it is disabled. The RSL threshold alarm provides a preventative maintenance tool for monitoring the health of the link and ensuring that problems can be identified and corrected quickly.

### 6.13.3 Editing and Disabling Alarms and Events

Users can change the description text (by appending extra text to the existing description) or the severity of any alarm in the system. Users can also choose to disable specific alarms and events. Any alarm or event can be disabled, so that no indication of the alarm or event is displayed, and no traps are sent for the alarm or event.

This is performed as follows:

- Each alarm and event in the system is identified by a unique name (see separate list of system alarms and events).
- The user can perform the following operations on any alarm:
  - View current description and severity
  - Define the text to be appended to the description and/or severity
  - Return the alarm to its default values
  - Disable or re-enable the alarm (or event)
- The user can also return all alarms and events to their default values.

### 6.13.4 Timeout for Trap Generation

Users can configure a wait time of 0 to 120 seconds after an alarm is cleared in the system before the alarm is actually reported as being cleared. This prevents traps flooding the NMS in the event that some external condition causes the alarm to be raised and cleared continuously.

This means that when the alarm is cleared, the alarm continues to be displayed and no *clear alarm* trap is sent until the timeout period is finished.

The timeout for trap generation can be configured via CLI. By default, the timeout is 10 seconds.

## 6.14 NTP Support

### Related topics:

- Synchronization

---

IP-20E supports Network Time Protocol (NTP). NTP distributes Coordinated Universal Time (UTC) throughout the system, using a jitter buffer to neutralize the effects of variable latency.

IP-20E supports NTPv3 and NTPv4. NTPv4 provides interoperability with NTPv3 and with SNTP.

## 6.15 UTC Support

IP-20E uses the Coordinated Universal Time (UTC) standard for time and date configuration. UTC is a more updated and accurate method of date coordination than the earlier date standard, Greenwich Mean Time (GMT).

Every IP-20E unit holds the UTC offset and daylight savings time information for the location of the unit. Each management unit presenting the information (CLI and Web EMS) uses its own UTC offset to present the information in the correct time.

## 6.16 System Security Features

To guarantee proper performance and availability of a network as well as the data integrity of the traffic, it is imperative to protect it from all potential threats, both internal (misuse by operators and administrators) and external (attacks originating outside the network).

System security is based on making attacks difficult (in the sense that the effort required to carry them out is not worth the possible gain) by putting technical and operational barriers in every layer along the way, from the access outside the network, through the authentication process, up to every data link in the network.

### 6.16.1 Ceragon's Layered Security Concept

Each layer protects against one or more threats. However, it is the combination of them that provides adequate protection to the network. In most cases, no single layer protection provides a complete solution to threats.

The layered security concept is presented in the following figure. Each layer presents the security features and the threats addressed by it. Unless stated otherwise, requirements refer to both network elements and the NMS.

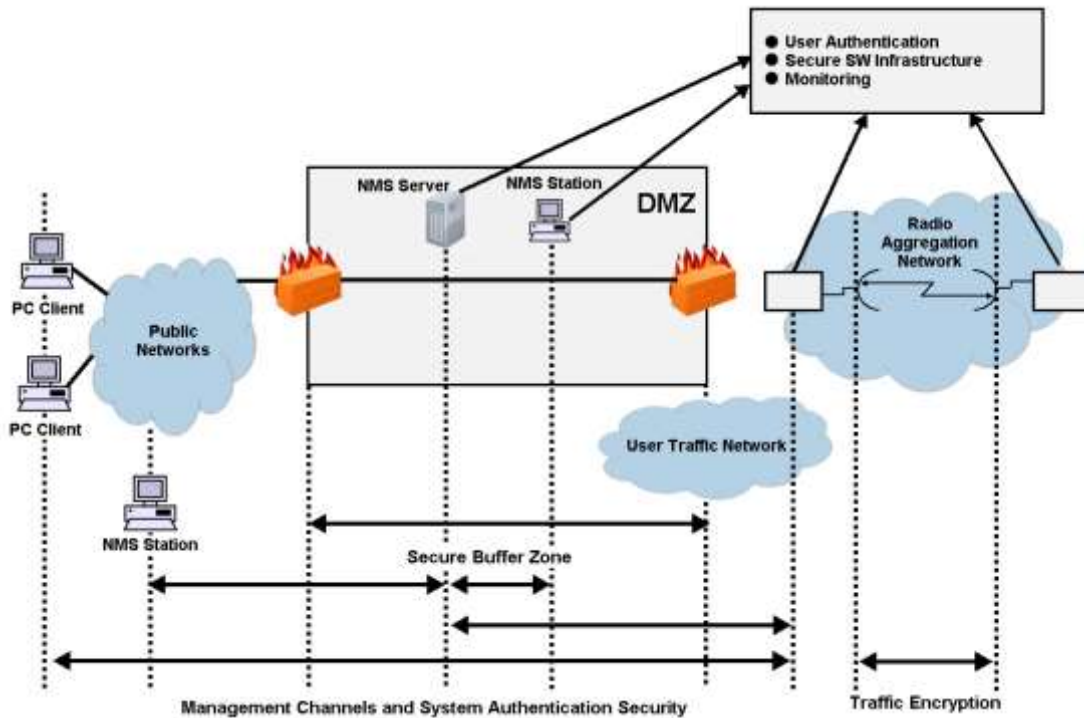


Figure 87: Security Solution Architecture Concept



### 6.16.2 Defenses in Management Communication Channels

Since network equipment can be managed from any location, it is necessary to protect the communication channels' contents end to end.

These defenses are based on existing and proven cryptographic techniques and libraries, thus providing standard secure means to manage the network, with minimal impact on usability.

They provide defense at any point (including public networks and radio aggregation networks) of communications.

While these features are implemented in Ceragon equipment, it is the responsibility of the operator to have the proper capabilities in any external devices used to manage the network.

In addition, inside Ceragon networking equipment it is possible to control physical channels used for management. This can greatly help deal with all sorts of DoS attacks.

Operators can use secure channels instead or in addition to the existing management channels:

- SNMPv3 for all SNMP-based protocols for both NEs and NMS
- HTTPS for access to the NE's web server
- SSH-2 for all CLI access SFTP for all software and configuration download between NMS and NEs

All protocols run with secure settings using strong encryption techniques. Unencrypted modes are not allowed, and algorithms used must meet modern and client standards.

Users are allowed to disable all insecure channels.

In the network elements, the bandwidth of physical channels transporting management communications is limited to the appropriate magnitude, in particular, channels carrying management frames to the CPU.

#### **Attack types addressed**

- Tempering with management flows
- Management traffic analysis
- Unauthorized software installation
- Attacks on protocols (by providing secrecy and integrity to messages)
- Traffic interfaces eavesdropping (by making it harder to change configuration)
- DoS through flooding

### 6.16.3 Defenses in User and System Authentication Procedures

#### 6.16.3.1 User Configuration and User Profiles

User configuration is based on the Role-Based Access Control (RBAC) model. According to the RBAC model, permissions to perform certain operations are assigned to specific roles. Users are assigned to particular roles, and through those role assignments acquire the permissions to perform particular system functions.

In the IP-20E GUI, these roles are called user profiles. Up to 50 user profiles can be configured. Each profile contains a set of privilege levels per functionality group, and defines the management protocols (access channels) that can be used to access the system by users to whom the user profile is assigned.

The system parameters are divided into the following functional groups:

- Security
- Management
- Radio
- Ethernet
- Synchronization

A user profile defines the permitted access level per functionality group. For each functionality group, the access level is defined separately for read and write operations. The following access levels can be assigned:

- **None** – No access to this functional group.
- **Normal** – The user has access to parameters that require basic knowledge about the functional group.
- **Advance** – The user has access to parameters that require advanced knowledge about the functional group, as well as parameters that have a significant impact on the system as a whole, such as restoring the configuration to factory default settings.

#### 6.16.3.2 User Identification

IP-20E supports the following user identification features:

- Configurable inactivity time-out for automatically closing unused management channels
- Optional password strength enforcement. When password strength enforcement is enabled; passwords must comply with the following rules:
  - Password must be at least eight characters long.
  - Password must include at least three of the following categories: lower-case characters, upper-case characters, digits, and special characters.
  - When calculating the number of character categories, upper-case letters used as the first character and digits used as the last character of a password are not counted.
  - The password cannot have been used within the user's previous five passwords.

- Users can be prompted to change passwords after a configurable amount of time (password aging).
- Users can be blocked for a configurable time period after a configurable number of unsuccessful login attempts.
- Users can be configured to expire at a certain date
- Mandatory change of password at first time login can be enabled and disabled upon user configuration. It is enabled by default.

### 6.16.3.3 Remote Authentication

**Note:** Remote authorization is planned for future release.

Certificate-based strong standard encryption techniques are used for remote authentication. Users may choose to use this feature or not for all secure communication channels.

Since different operators may have different certificate-based authentication policies (for example, issuing its own certificates vs. using an external CA or allowing the NMS system to be a CA), NEs and NMS software provide the tools required for operators to enforce their policy and create certificates according to their established processes.

Server authentication capabilities are provided.

### 6.16.3.4 RADIUS Support

The RADIUS protocol provides centralized user management services. IP-20E supports RADIUS server and provides a RADIUS client for authentication and authorization.

RADIUS can be enabled or disabled. When RADIUS is enabled, a user attempting to log into the system from any access channel (CLI, WEB, NMS) is not authenticated locally. Instead, the user's credentials are sent to a centralized standard RADIUS server which indicates to the IP-20E whether the user is known, and which privilege is to be given to the user. RADIUS uses the same user attributes and privileges defined for the user locally.

**Note:** When using RADIUS for user authentication and authorization, the access channels configured per IP-20 user profile are not applicable. Instead, the access channels must be configured as part of the RADIUS server configuration.

RADIUS login works as follows:

- If the RADIUS server is reachable, the system expects authorization to be received from the server:
  - The server sends the appropriate user privilege to the IP-20E, or notifies the IP-20E that the user was rejected.
  - If rejected, the user will be unable to log in. Otherwise, the user will log in with the appropriate privilege and will continue to operate normally.
- If the RADIUS server is unavailable, the IP-20E will attempt to authenticate the user locally, according to the existing list of defined users.

**Note:** Local login authentication is provided in order to enable users to manage the system in the event that RADIUS server is unavailable. This requires previous definition of users in the system. If the user is only defined in the RADIUS server, the user will be unable to login locally in case the RADIUS server is unavailable.

In order to support IP-20E - specific privilege levels, the vendor-specific field is used. Ceragon's IANA number for this field is 2281.

The following RADIUS servers are supported:

- FreeRADIUS
- RADIUS on Windows Server (IAS)
  - Windows Server 2008
  - Windows Server 2003
- Cisco ACS

#### 6.16.4 Secure Communication Channels

IP-20E supports a variety of standard encryption protocols and algorithms, as described in the following sections.

##### 6.16.4.1 SSH (Secured Shell)

SSH protocol can be used as a secured alternative to Telnet. In IP-20E:

- SSHv2 is supported.
- SSH protocol will always be operational. Admin users can choose whether to disable Telnet protocol, which is enabled by default. Server authentication is based on IP-20E's public key.
- RSA and DSA key types are supported.
- MAC (Message Authentication Code): SHA-1-96 (MAC length = 96 bits, key length = 160 bit). Supported MAC: hmac-md5, hmac-sha1, hmac-ripemd160, hmac-sha1-96, hmac-md5-96'
- The server authenticates the user based on user name and password. The number of failed authentication attempts is not limited.
- The server timeout for authentication is 10 minutes. This value cannot be changed.

#### 6.16.4.2 HTTPS (Hypertext Transfer Protocol Secure)

HTTPS combines the Hypertext Transfer protocol with the SSLv3/TLS (1.0, 1.1, 1.2) protocol to provide encrypted communication and secure identification of a network web server. IP-20E enables administrators to configure secure access via HTTPS protocol.

Users can configure the IP-20 to operate in HTTPS strong mode. In HTTPS strong mode, SSLv3, TLSv1.0, and TLSv1.1 are disabled completely and only certain ciphers are supported for TLSv1.2.

For a list of supported HTTPS ciphers, including an indication of which ciphers are supported in HTTPS strong mode, see *Annex B – Supported Ciphers for Secured Communication Protocols* in the Release Notes for the CeraOS version you are using.

#### 6.16.4.3 SFTP (Secure FTP)

SFTP can be used for the following operations:

- Configuration upload and download,
- Uploading unit information
- Uploading a public key
- Downloading certificate files
- Downloading software

#### 6.16.4.4 Creation of Certificate Signing Request (CSR) File

In order to create a digital certificate for the NE, a Certificate Signing Request (CSR) file should be created by the NE. The CSR contains information that will be included in the NE's certificate such as the organization name, common name (domain name), locality, and country. It also contains the public key that will be included in the certificate. Certificate authority (CA) will use the CSR to create the desired certificate for the NE.

While creating the CSR file, the user will be asked to input the following parameters that should be known to the operator who applies the command:

- **Common name** – The identify name of the element in the network (e.g., the IP address). The common name can be a network IP or the FQDN of the element.
- **Organization** – The legal name of the organization.
- **Organizational Unit** - The division of the organization handling the certificate.
- **City/Locality** - The city where the organization is located.
- **State/County/Region** - The state/region where the organization is located.
- **Country** - The two-letter ISO code for the country where the organization is location.
- **Email address** - An email address used to contact the organization.

#### 6.16.4.5 SNMP

IP-20E supports SNMP v1, V2c, and v3. The default community string in NMS and the SNMP agent in the embedded SW are disabled. Users are allowed to set community strings for access to network elements.

IP-20E supports the following MIBs:

- RFC-1213 (MIB II)
- RMON MIB
- Ceragon (proprietary) MIB.

Access to all network elements in a node is provided by making use of the community and context fields in SNMPv1 and SNMPv2c/SNMPv3, respectively.

#### For additional information:

- FibeAir IP-20E MIB Reference, DOC- 00036524.

#### 6.16.4.6 Server Authentication (SSLv3/TLS (1.0, 1.1, 1.1))

- All protocols making use of SSL (such as HTTPS) use SLLv3/TLS (1.0, 1.1, 1.2) and support X.509 certificates-based server authentication.
- Users with type of “administrator” or above can perform the following server (network element) authentication operations for certificates handling:
  - Generate server key pairs (private + public)
  - Export public key (as a file to a user-specified address)
  - Install third-party certificates
    - The Admin user is responsible for obtaining a valid certificate.
  - Load a server RSA key pair that was generated externally for use by protocols making use of SSL.
- Non-SSL protocols using asymmetric encryption, such as SSH and SFTP, can make use of public-key based authentication.
  - Users can load trusted public keys for this purpose.

#### 6.16.4.7 Encryption

**Note:** Support for encryption is planned for future release.

- Encryption algorithms for secure management protocols include:
  - Symmetric key algorithms: 128-bit AES
  - Asymmetric key algorithms: 1024-bit RSA

#### 6.16.5 Security Log

The security log is an internal system file which records all changes performed to any security feature, as well as all security related events.

**Note:** In order to read the security log, the user must upload the log to his or her server.

The security log file has the following attributes:

- The file is of a “cyclic” nature (fixed size, newest events overwrite oldest).
- The log can only be read by users with "admin" or above privilege.
- The contents of the log file are cryptographically protected and digitally signed.
  - In the event of an attempt to modify the file, an alarm will be raised.
- Users may not overwrite, delete, or modify the log file.

The security log records:

- Changes in security configuration
  - Carrying out “security configuration copy to mate”
  - Management channels time-out
  - Password aging time
  - Number of unsuccessful login attempts for user suspension
  - Warning banner change
  - Adding/deleting of users
  - Password changed
  - SNMP enable/disable
  - SNMP version used (v1/v3) change
  - SNMPv3 parameters change
    - Security mode
    - Authentication algorithm
    - User
    - Password
  - SNMPv1 parameters change
    - Read community
    - Write community
    - Trap community for any manager
  - HTTP/HTTPS change
  - FTP/SFTP change
  - Telnet and web interface enable/disable
  - FTP enable/disable
  - Loading certificates
  - RADIUS server
  - Radius enable/disable
  - Remote logging enable/disable (for security and configuration logs)
  - System clock change
  - NTP enable/disable
- Security events
  - Successful and unsuccessful login attempts
  - N consecutive unsuccessful login attempts (blocking)
  - Configuration change failure due to insufficient permissions
  - SNMPv3/PV authentication failures

- User logout
- User account expired

For each recorded event the following information is available:

- User ID
- Communication channel (WEB, terminal, telnet/SSH, SNMP, NMS, etc.)
- IP address, if applicable
- Date and time



## 7. Standards and Certifications

**This chapter includes:**

- Supported Ethernet Standards
- MEF Certifications for Ethernet Services

## 7.1 Supported Ethernet Standards

*Table 30: Supported Ethernet Standards*

Standard	Description
802.3	10base-T
802.3u	100base-T
802.3ab	1000base-T
802.3z	1000base-X
802.3ac	Ethernet VLANs
802.1Q	Virtual LAN (VLAN)
802.1p	Class of service
802.1ad	Provider bridges (QinQ)
802.3ad	Link aggregation
Auto MDI/MDIX for 1000baseT	
RFC 1349	IPv4 TOS
RFC 2474	IPv4 DSCP
RFC 2460	IPv6 Traffic Classes

## 7.2 MEF Certifications for Ethernet Services



*Table 31: Supported MEF Specifications*

Specification	Description
MEF-2	Requirements and Framework for Ethernet Service Protection
MEF-6.1	Metro Ethernet Services Definitions Phase 2
MEF-8	Implementation Agreement for the Emulation of PDH Circuits over Metro Ethernet Networks
MEF-10.3	Ethernet Services Attributes Phase 3
MEF 22.1	Mobile Backhaul Implementation Agreement Phase 2
MEF-30.1	Service OAM Fault Management Implementation Agreement Phase 2
MEF-35	Service OAM Performance Monitoring Implementation Agreement

*Table 32: MEF Certifications*

Certification	Description
CE 2.0	Second generation Carrier Ethernet certification
MEF-18	Abstract Test Suite for Circuit Emulation Services
MEF-9	Abstract Test Suite for Ethernet Services at the UNI. Certified for all service types (EPL, EVPL & E-LAN).  This is a first generation certification. It is fully covered as part of CE2.0)
MEF-14	Abstract Test Suite for Traffic Management Phase 1. Certified for all service types (EPL, EVPL & E-LAN).  This is a first generation certification. It is fully covered as part of CE2.0)

## 8. Specifications

### This chapter includes:

- General Radio Specifications
- Supported MRMC Scripts
- Radio Capacity Specifications
- Transmit Power Specifications
- Receiver Threshold Specifications
- Mediation Device Losses
- Ethernet Latency Specifications
- Interface Specifications
- Carrier Ethernet Functionality
- Synchronization Functionality
- Network Management, Diagnostics, Status, and Alarms
- Mechanical Specifications
- Standards Compliance
- Environmental Specifications
- Antenna Specifications
- Integrated Antenna
- Power Input Specifications
- Power Consumption Specifications
- Power Connection Options
- PoE Injector Specifications
- Cable Specifications

### Related Topics:

- Standards and Certifications

**Note:** All specifications are subject to change without prior notification.

## 8.1 General Radio Specifications

Specification	Description
Standards	ETSI: EN 302 217 FCC: Part 101 (2004) ITU-R CEPT
Operating mode	FDD
System Configurations	1+0, 1+1 HSB, 2+0 <sup>27</sup>
Operating Frequency Range	71-76GHz, 81-86GHz
Channel Spacing	14 MHz, 28 MHz, 62.5 MHz, 125 MHz, 250 MHz, 500 MHz
Frequency Stability	±10ppm
Tx Range (Manual/ATPC)	The dynamic TX range with ATPC is the same as the manual TX range, and depends on the frequency and the ACM profile. The maximum TX power with ATPC is no higher than the maximum manually configured TX power.

Table 33: Frequency Tuning Range:

Low Range [MHz]	High Range [MHz]	TX-RX Separation [MHz]	Low BW [MHz]	High BW [MHz]
71,000 - 76000	81,000 – 86,000	10,000	5000	5000

<sup>27</sup> Support for 1+1 HSB configurations is planned for future release.

## 8.2 Supported MRMC Scripts

*Table 34: MRMC Scripts*

Script ID	ETSI/FCC	Channel BW	Occupied BW	Maximum Profile (ACM)	Maximum Profile (Fixed)
4509	ETSI	14 MHz	13.3 MHz	2 (8 QAM)	2 (8 QAM)
4504	ETSI	28 MHz	26.5 MHz	8 (512 QAM)	4 (32 QAM)
4701	ETSI/FCC	62.5 MHz	57 MHz	9 (1024 QAM)	7 (256 QAM)
4700	ETSI/FCC	125 MHz	115 MHz	8 (512 QAM)	7 (256 QAM)
4702	ETSI/FCC	250 MHz	230 MHz	7 (256 QAM)	6 (128 QAM)
4704	ETSI/FCC	500 MHz	460 MHz	5 (64 QAM)	4 (32 QAM)

### 8.3 Radio Capacity Specifications

**Note:** The capacity figures for LTE scenario take into account packets encapsulated inside GTP tunnels with IPv4/UDP encapsulation and double VLAN tagging (QinQ).

#### 8.3.1 14 MHz – Script ID 4509

Modulation	Minimum Required Capacity Activation Key (Mbps)	Ethernet Throughput	L2 Compression	Header De-Duplication – LTE scenario
BPSK	10	9-11	9-14	10-36
4 QAM	50	19-24	20-29	20-76
8 QAM	50	29-36	30-44	31-115

#### 8.3.2 28 MHz – Script ID 4504

Modulation	Minimum Required Capacity Activation Key (Mbps)	Ethernet Throughput	L2 Compression	Header De-Duplication – LTE scenario
BPSK	50	20-26	20-29	21-70
4 QAM	50	43-52	43-63	45-162
8 QAM	50	62-76	63-92	65-236
16 QAM	100	87-107	88-129	92-332
32 QAM	100	115-140	116-170	121-437
64 QAM	150	141-173	143-209	149-538
128 QAM	150	170-208	172-252	179-648
256 QAM	200	196-239	197-289	206-745
512 QAM	200	209-255	210-308	219-794

### 8.3.3 62.5 MHz – Script ID 4701

Modulation	Minimum Required Capacity Activation Key (Mbps)	Ethernet Throughput	L2 Compression	Header De-Duplication – LTE scenario
BPSK	50	42-51	42-62	44-160
4 QAM	100	93-114	94-138	98-355
8 QAM	150	139-170	140-205	146-528
16 QAM	200	188-230	190-278	198-716
32 QAM	250	247-302	249-365	259-939
64 QAM	300	301-368	303-445	316-1145
128 QAM	350	362-442	365-535	380-1377
256 QAM	400	412-504	416-609	433-1569
512 QAM	450	453-554	457-670	476-1724
1024 QAM	500	505-617	508-746	530-1920

### 8.3.4 125 MHz – Script ID 4700

Modulation	Minimum Required Capacity Activation Key (Mbps)	Ethernet Throughput	L2 Compression	Header De-Duplication – LTE Scenario
BPSK	100	90-110	90-132	94-341
4 QAM	200	188-230	189-278	197-715
8 QAM	300	279-341	281-412	293-1062
16 QAM	400	379-463	382-560	398-1443
32 QAM	500	499-610	502-737	524-1898
64 QAM	650	612-748	617-904	643-2329
128 QAM	1000	737-900	742-1089	774-2500
256 QAM	1000	838-1025	845-1239	880-2500
512 QAM	1000	923-1128	930-1364	969-2500



### 8.3.5 250 MHz – Script ID 4702

Modulation	Minimum Required Capacity Activation Key (Mbps)	Ethernet Throughput	L2 Compression	Header De-Duplication - LTE scenario
BPSK	200	180-221	182-267	189-687
4 QAM	400	377-461	380-557	396-1435
8 QAM	500	559-683	563-826	587-2128
16 QAM	1000	759-928	765-1122	797-2500
32 QAM	1000	998-1220	1006-1475	1048-2500
64 QAM	1600	1225-1497	1234-1810	1286-2500
128 QAM	1600	1474-1802	1486-2179	1548-2500
256 QAM	1600	1653-2021	1666-2443	1736-2500

### 8.3.6 500 MHz – Script ID 4704

Modulation	Minimum required capacity activation key (Mbps)	Ethernet Throughput	L2 Compression	Header De-Duplication – LTE Scenario
BPSK	350	362-442	NA	NA
4 QAM	1000	755-923	NA	NA
8 QAM	1600	1119-1368	NA	NA
16 QAM	1600	1520-1858	NA	NA
32 QAM	2000	1998-2442	NA	NA
64 QAM	2500	2451-2500	NA	NA

**Note:** Support for Header De-Duplication with 500 MHz channels is planned for future release.

## 8.4 Transmit Power Specifications

**Notes:** The accuracy of these values is up to +/-3dB.

### 8.4.1 Standard TX Power

Modulation	14MHz channels	28MHz channels	62.5MHz channels	125MHz channels	250MHz channels	500MHz channels
BPSK	12	12	12	12	12	9
QPSK	12	12	12	12	12	9
8 QAM	12	12	12	12	10	5
16 QAM	NA	11	11	11	9	4
32 QAM	NA	11	11	11	9	4
64 QAM	NA	10	10	10	8	3
128 QAM	NA	10	10	10	8	NA
256 QAM	NA	9	9	9	7	NA
512 QAM	NA	8	8	8	NA	NA
1024 QAM	NA	NA	7	NA	NA	NA

The Pmin for standard TX power is -6dBm for all supported frequencies and modulations.

### 8.4.2 High TX Power

Modulation	14MHz channels	28MHz channels	62.5MHz channels	125MHz channels	250MHz channels	500MHz channels
BPSK	18	18	18	18	18	15
QPSK	18	18	18	18	18	15
8 QAM	18	18	18	18	16	11
16 QAM	NA	17	17	17	15	10
32 QAM	NA	17	17	17	15	10
64 QAM	NA	16	16	16	14	9
128 QAM	NA	16	16	16	14	N/A
256 QAM	NA	15	15	15	13	N/A
512 QAM	NA	14	14	14	N/A	N/A
1024 QAM	NA	NA	13	N/A	N/A	N/A

The Pmin for high TX power is -2dBm for all supported frequencies and modulations.

## 8.5 Receiver Threshold Specifications (@BER 10<sup>-6</sup>)

**Note:** The values listed in this section are typical. Actual values may differ in either direction by up to 3dB.

Modulation	Channel Spacing [MHz]					
	14	28	62.5	125	250	500
BPSK	-90.5	-87.5	-83.0	-80.0	-77.0	-74.0
4 QAM	-87.2	-84.6	-79.5	-76.5	-73.5	-70.5
8 QAM	-83.1	-80.6	-75.5	-72.5	-70.0	-67.0
16 QAM	NA	-77.4	-73.0	-69.5	-67.0	-64.0
32 QAM	NA	-73.9	-69.0	-66.0	-63.0	-60.0
64 QAM	NA	-70.8	-66.0	-63.0	-60.0	-57.0
128 QAM	NA	-67.6	-63.0	-60.0	-57.0	NA
256 QAM	NA	-64.6	-59.5	-57.0	-54.0	NA
512 QAM	NA	-62.4	-57.0	-54.0	NA	NA
1024 QAM	NA	NA	-54.0	NA	NA	NA

The maximum RSL is -22dBm for all supported frequencies and modulations.

## 8.6 Mediation Device Losses

Device Type	Maximum Insertion Loss (Main/Secondary)
OMT	2dB
Splitter 1:2	4.5dB
Coupler 1:4	2.2dB/ 6.5±1dB

## 8.7 Ethernet Latency Specifications

### Channel Spacing 14 MHz [µsec]

Modulation	64 bytes	512 bytes	1518 bytes	9000 bytes
BPSK	759	1308	2591	12272
4 QAM	388	613	1119	4966
8 QAM	293	439	760	3211

### Channel Spacing 28 MHz [µsec]

Modulation	64 bytes	512 bytes	1518 bytes	9000 bytes
BPSK	361	581	7981	4871
4 QAM	197	300	534	2288
8 QAM	153	224	382	1563
16 QAM	121	173	294	1174
32 QAM	107	149	244	932
64 QAM	98	134	214	789
128 QAM	92	123	193	686
256 QAM	84	113	176	621
512 QAM	93	120	179	590

**Channel Spacing 62.5 MHz [μsec]**

<b>Modulation</b>	<b>64 bytes</b>	<b>512 bytes</b>	<b>1518 bytes</b>	<b>9000 bytes</b>
BPSK	176	273	494	2179
4 QAM	96	143	248	1032
8 QAM	77	111	185	739
16 QAM	62	89	148	580
32 QAM	57	79	128	480
64 QAM	53	73	115	421
128 QAM	51	68	106	376
256 QAM	47	64	99	348
512 QAM	52	69	106	344
1024 QAM	51	67	102	326

**Channel Spacing 125 MHz [μsec]**

<b>Modulation</b>	<b>64 bytes</b>	<b>512 bytes</b>	<b>1518 bytes</b>	<b>9000 bytes</b>
BPSK	94	144	256	1071
4 QAM	57	85	148	572
8 QAM	48	70	118	442
16 QAM	40	59	99	364
32 QAM	38	54	89	314
64 QAM	36	51	83	285
128 QAM	35	49	78	263
256 QAM	34	47	76	249
512 QAM	36	48	76	244

**Channel Spacing 250 MHz [μsec]**

<b>Modulation</b>	<b>64 bytes</b>	<b>512 bytes</b>	<b>1518 bytes</b>	<b>9000 bytes</b>
BPSK	64	92	155	610
4 QAM	40	58	96	365
8 QAM	36	50	83	295
16 QAM	34	46	74	258
32 QAM	33	45	67	230
64 QAM	33	44	65	220
128 QAM	31	42	63	210
256 QAM	29	40	61	205

**Channel Spacing 500 MHz [μsec]**

<b>Modulation</b>	<b>64 bytes</b>	<b>512 bytes</b>	<b>1518 bytes</b>	<b>9000 bytes</b>
BPSK	85	130	139	409
4 QAM	67	79	103	266
8 QAM	54	64	84	223
16 QAM	45	54	73	198
32 QAM	34	44	61	178
64 QAM	35	42	58	170

## 8.8 Interface Specifications

### 8.8.1 Ethernet Interface Specifications

	IP-20E ESE	IP-20E ESS	IP-20E ESP
<b>Supported Ethernet Interfaces for Traffic</b>	1 x 10/100/1000Base-T (RJ-45) 1x1000base-X (Optical SFP) OR 2x1000base-X (using optical BiDi CSFP) or 1000Base-T (Electrical SFP)	1 x 10/100/1000Base-T (RJ-45) for traffic or management 1x1000base-X (Optical SFP) 1x1000base-X (Optical SFP) OR 2x1000base-X (using optical BiDi CSFP) or 1000Base-T (Electrical SFP)	1x1000base-X (Optical SFP) OR 2x1000base-X (using optical BiDi CSFP) 1x1000base-X (Optical SFP)_OR 1x10GBASE-LR10 (Optical SFP+)
<b>Supported Ethernet Interfaces for Management</b>	10/100/1000 Base-T (RJ-45)	1 x 10/100/1000Base-T (RJ-45) for traffic or management	1 x 10/100/1000Base-T (RJ-45) for management

The IP-20E includes an SFP cage that supports regular SFP and CSFP standards:

- Regular SFP provides a single Ethernet interface: ETH2. This interface supports either electrical or optical SFP. The optical SFP uses two optical fiber cables (one for TX and one for RX).
- CSFP (Dual BiDi SFP) provides two Ethernet interfaces: ETH2 and ETH3. These interfaces use a single optical fiber cable per interface, multiplexing TX and RX on the same cable using different wavelengths for TX and RX.

When a Dual BiDi CSFP is used, a single-fiber BiDi CSFP must be used for the third party equipment connected to the CSFP ports, with opposite wavelengths for TX and RX. The following table provides an example of a valid CSFP-SFP pair in which TX=1310nm and RX=1490nm for the CSFP connected to the IP-20E, and TX=1490nm and RX=1310nm for the SFP connected to the third party equipment.

*Table 35: CSFP – SFP Compatibility Example*

	P/N	Marketing Model	Description
IP-20E	AO-0232-0	CSFP_BiDi_1G_TXL_EXT_TEM P	XCVR,CSFP,1310nm TX/1490nm RX,SM,1.25Gbit/s,10km,W.DDM,INDUSTRIAL GRADE,SINGLE PACK
Third Party Equipment	AO-0194-0	SFP-BX-D-OPT	XCVR,SFP,SINGLE FIBER,1490nm TX/1310nm RX,1.25Gb,SM,10km,W.DDM,COMMERCIAL,SINGLE PACK KIT

The following table lists recommended SFP modules that can be used with IP-20E.

*Table 36: SFP Module Recommendations*

Part Number	Marketing Model	Item Description
AO-0098-0	SFP-GE-SX-EXT-TEMP	XCVR,SFP,850nm,MM,1.0625 Gbit/s FC/ 1.25 GBE, INDUSTRIAL GRADE,SINGLE PACK KIT
AO-0097-0	SFP-GE-LX-EXT-TEMP	XCVR,SFP,1310nm,1.25Gb,SM,10km,W.DDM,INDUSTRIAL GRADE,SINGLE PACK KIT
AO-0228-0	SFP-GE-COPER-EXT-TMP-LOS-DIS	XCVR,SFP,COOPER 1000BASE-T,RX_LOS DISABLE,INDUSTRIAL TEMP

The following table lists recommended CSFP modules that can be used with IP-20E.

*Table 37: CSFP Module Recommendations*

Part Number	Marketing Model	Item Description
AO-0232-0	CSFP_BiDi_1G_TXL_EXT_TEMP	XCVR,CSFP,1310nm TX/1490nm RX,SM,1.25Gbit/s,10km,W.DDM,INDUSTRIAL GRADE,SINGLE PACK
AO-0231-0	CSFP_BiDi_1G_TXH_EXT_TEMP	XCVR,CSFP,1490nm TX/1310nm RX,SM,1.25Gbit/s,10km,W.DDM,INDUSTRIAL GRADE,SINGLE PACK

The following table lists recommended SFP modules that can be used with third party equipment connected to a CSFP module on the IP-20E.

*Table 38: SFP Module Recommendations for Third Party Equipment*

Part Number	Marketing Model	Item Description
AO-0194-0	SFP-BX-D-OPT	XCVR,SFP,SINGLE FIBER,1490nm TX/1310nm RX,1.25Gb,SM,10km,W.DDM, <b>COMMERCIAL</b> ,SINGLE PACK KIT
AO-0193-0	SFP-BX-U-OPT	XCVR,SFP,SINGLE FIBER,1310nm TX/1490nm RX,1.25Gb,SM,10km,W.DDM, <b>COMMERCIAL</b> ,SINGLE PACK KIT

The following table lists recommended SFP+ modules that can be used with the 10G port on the ESP hardware version.

*Table 39: Approved 10 GbE SFP+ Modules*

Part Number	Marketing Model	Marketing Description	Item Description
AO-0264-0	SFP+10GBASE-LR10-EXT-TEMP	SFP+ 10GE OPT 10GBASE-LR,10km,EXT-TEMP	XCVR,SFP+,1310nm,SM,10 Gbit/s,10km,INDUSTRIAL GRADE,SINGLE P
AO-0283-0	SFP+10GBASE-SR10-EXT-TEMP	XCVR,SFP+,850nm,MM,10 Gbit/s, INDUSTRIAL GRADE	SFP+10GBASE-SR10-EXT-TEMP

**Note:** Ceragon recommends the use of SFP and SFP+ modules certified by Ceragon, as listed above.



### 8.8.2 CSFP Specifications

- 2-channel bi-directional optical transceiver
- Digital Diagnostic Monitoring available
- Compliant with 1000BASE BX20 IEEE802.3ah
- Specifications according to SFF-8472
- Uncooled 1490nm DFB Laser
- Up to 1.25 Gb/s bi-directional data links
- Up to 20km on 9/125µm SMF
- Simplex LC connector compliant
- Single +3.3V DC power supply
- Hot-pluggable CSFP footprint
- Class 1 laser safety certified
- Operating temperature options:
  - -10°C to +70°C (Commercial)
  - -10°C to +85°C (Extended)
  - -40°C to +85°C (Industrial)
- RoHS Compliant



Figure 88: CSFP Module

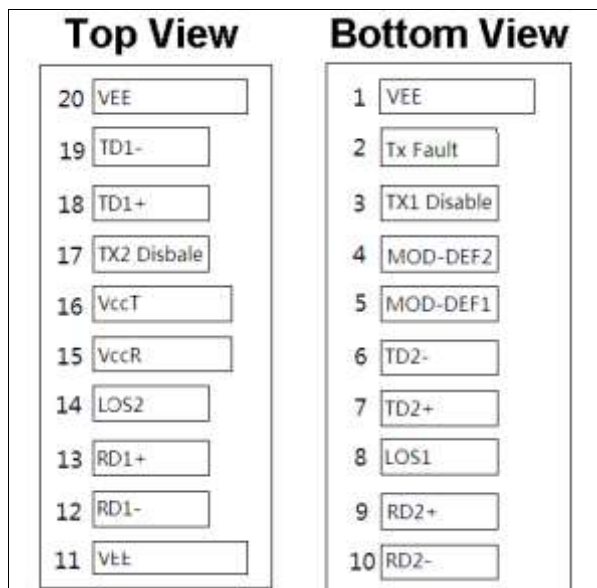


Figure 89: CSFP Pinout Diagram

## 8.9 Carrier Ethernet Functionality

"Jumbo" Frame Support	Up to 9600 Bytes
General	Enhanced link state propagation Header De-Duplication
Integrated Carrier Ethernet Switch	Switching capacity: 5Gbps Maximum number of Ethernet services: 64 plus one pre-defined management service MAC address learning with 128K MAC addresses 802.1ad provider bridges (QinQ) 802.3ad link aggregation
QoS	Advanced CoS classification and remarking Per interface CoS based packet queuing/buffering (8 queues) Per queue statistics Tail-drop and WRED with CIR/EIR support Flexible scheduling schemes (SP/WFQ/Hierarchical) Per interface and per queue traffic shaping Hierarchical-QoS (H-QoS) – 2K service level queues <sup>28</sup> 2 Gbit packet buffer
Network resiliency	MSTP <sup>29</sup> ERP (G.8032) <sup>30</sup>
OAM	CFM (802.1ag)
Performance Monitoring	Per port Ethernet counters (RMON/RMON2) Radio ACM statistics Enhanced radio Ethernet statistics (Frame Error Rate, Throughput, Capacity, Utilization)

<sup>28</sup> Support for H-QoS is planned for future release.

<sup>29</sup> Support for MSTP is planned for future release.

<sup>30</sup> Support for G.8032 is planned for future release.

---

Supported Ethernet/IP Standards	802.3 – 10base-T
	802.3u – 100base-T
	802.3ab – 1000base-T
	802.3z – 1000base-X
	802.3ae 10GBase-LR
	802.3ac – Ethernet VLANs
	802.1Q – Virtual LAN (VLAN)
	802.1p – Class of service
	802.1ad – Provider bridges (QinQ)
	802.3ad – Link aggregation
	Auto MDI/MDIX for 1000baseT
	RFC 1349 – IPv4 TOS
	RFC 2474 – IPv4 DSCP
	RFC 2460 – IPv6 Traffic Classes

---

## 8.10 Synchronization Functionality

- SyncE
  - SyncE input and output (G.8262)
- IEEE 1588v2 (Precision Time Protocol)
  - Transparent Clock

## 8.11 Network Management, Diagnostics, Status, and Alarms

Network Management System	Ceragon NMS
NMS Interface protocol	SNMPv1/v2c/v3 XML over HTTP/HTTPS toward NMS
Element Management	Web based EMS, CLI
Management Channels & Protocols	HTTP/HTTPS Telnet/SSH-2 FTP/SFTP
Authentication, Authorization & Accounting	User access control X-509 Certificate
Management Interface	Dedicated Ethernet interfaces or in-band in traffic ports
In-Band Management	Support dedicated VLAN for management
TMN	Ceragon NMS functions are in accordance with ITU-T recommendations for TMN
RSL Indication	Accurate power reading (dBm) available at IP-20E <sup>31</sup> , and NMS
Performance Monitoring	Integral with onboard memory per ITU-T G.826/G.828

---

<sup>31</sup> The voltage at the RSL port is 1.XX where XX is the RSL level. For example: 1.59V means an RSL of -59 dBm. Note that the voltage measured at the RSL port is not accurate and should be used only as an aid).

## 8.12 Mechanical Specifications

	<b>Direct Mount HW</b> <b>(For parabolic antennas)</b>	<b>43dBi Integrated</b> <b>Antenna</b>
Module Dimensions (WxHxD)	198mm x 220mm x 75mm 7.8" x 8.66" x 2.95"	280mm x 280mm x 110mm 11.02" x 11.02" x 4.33"
Module Weight	3 kg/6.6 lbs.	3.5 kg/7.7 lbs.
Pole Diameter Range (for Remote Mount Installation)	8.89 cm – 11.43 cm 3.5" – 4.5"	

### 8.13 Standards Compliance

Specification	Standard
Radio	ETSI: EN 302 217 FCC: Part 101 (2004)
EMC	EN 301 489-1, EN 301 489-4, Class B (Europe) FCC 47 CFR, part 15, class B (US) ICES-003, Class B (Canada) TEC/EMI/TEL-001/01, Class B (India)
Surge	EN61000-4-5, Class 4 (for PWR and ETH1/PoE ports)
Safety	EN 60950-1 IEC 60950-1 UL 60950-1 CSA-C22.2 No.60950-1 EN 60950-22 UL 60950-22 CSA C22.2.60950-22
Ingress Protection	IP67

## 8.14 Environmental Specifications

- Operating: ETSI EN 300 019-1-4 Class 4.1
  - Temperature range for continuous operating temperature with high reliability:  
**-33°C to +55°C/-27°F to +131°F**
  
  - Temperature range for exceptional temperatures; tested successfully, with limited margins:  
**-45°C to +60°C/-49°F to +140°F**
  
  - Humidity: **5%RH to 100%RH**
- Storage: ETSI EN 300 019-1-1 Class 1.2
- Transportation: ETSI EN 300 019-1-2 Class 2.3

## 8.15 Antenna Specifications

Direct Mount:

MTI, CommScope (VHLP)

Remote Mount:

Waveguide Standard	Antenna Flange
WR12	UG387/U



## 8.16 Integrated Antenna

The following tables describes the electrical and mechanical parameters of the integrated antenna. These parameters are applicable to the following marketing models:

- IP-20E-R2-DX0H-H-ESP-43IA-E-F
- IP-20E-R2-DX0H-L-ESP-43IA-E-F

*Table 40: Integrated Antenna – Electrical Parameters*

Frequency coverage	71-76 GHz, 81-86 GHz
Gain	71-76 GHz: 43dBi 81-86 GHz: 44.5dBi
3dB beam width (azimuth and elevation)	1.0°
XPOL	30 dB
Polarization	Single Linear: V or H
Co/cross-polar ratio	>35dB
Front to back ratio	>60dB
Side lobe suppression	ETSI EN 302 217-4 v2.1.1 (2017-05) CLASS 3 FCC 47CFR101.115

## 8.17 Power Input Specifications

Standard Input	-48 VDC nominal
DC Input range	-40.5 to -60 VDC

## 8.18 Power Consumption Specifications

Unit Configuration	Power Consumption
Active	43W
Standby	36W

## 8.19 Power Connection Options

Power Source and Range	Data Connection Type	Connection Length	DC Cable Type / Gage
Ext DC -(40.5 ÷ 60)VDC (Using an RJ-45 to DC cable adaptor)	Optical	≤ 150m	18AWG
	Optical	150m ÷ 300m	14AWG
PoE Injector -(18 ÷ 60)VDC	Electrical	≤ 100m (328ft)	CAT5e (24AWG)

## 8.20 PoE Injector Specifications

### 8.20.1 Power Input

Standard Input	-48 VDC
DC Input range	-(18/40.5 to 60) VDC

### 8.20.2 Environmental

- Operating: ETSI EN 300 019-1-4 Class 4.1
  - Temperature range for continuous operating temperature with high reliability: **-33°C to +55°C/-27°F to +131°F**
  - Temperature range for exceptional temperatures; tested successfully, with limited margins: **-45°C to +60°C/-49°F to +140°F**
  - Humidity: 5%RH to 100%RH  
IEC529 IP66
- Storage: ETSI EN 300 019-1-1 Class 1.2
- Transportation: ETSI EN 300 019-1-2 Class 2.3

### 8.20.3 Standards Requirements

Specification	Standard
EMC	EN 301 489-1, EN 301 489-4, Class A (Europe) FCC 47 CFR, part 15, class B (US) ICES-003, Class B (Canada) TEC/EMI/TEL-001/01, Class A (India)
Safety	EN 60950-1 IEC 60950-1 UL 60950-1 CSA-C22.2 No.60950-1 EN 60950-22 UL 60950-22 CSA C22.2.60950-22

### 8.20.4 Mechanical

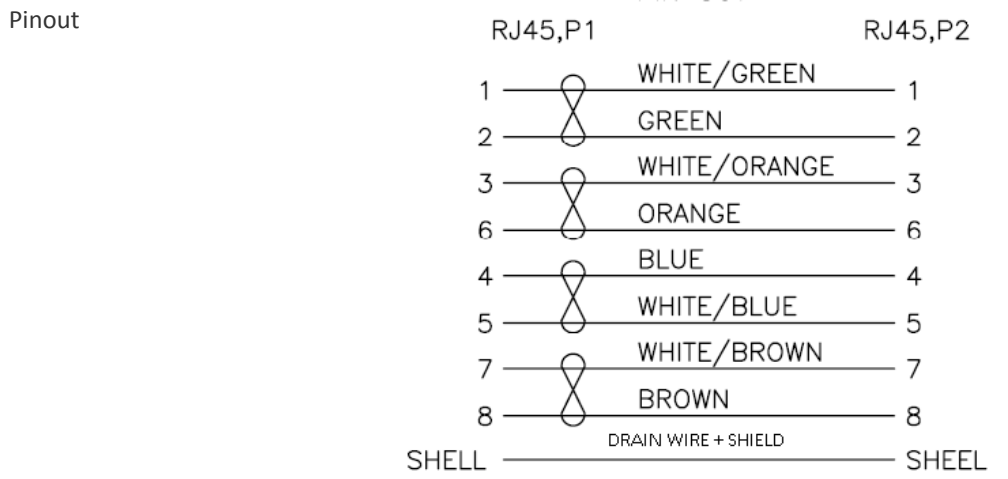
Module Dimensions	(H)134mm x (W)190mm x (D)62mm (H)5.28inch x (W)7.48inch(D)2.44inch
Module Weight	1kg/2.2lbs

## 8.21 Cable Specifications

### 8.21.1 Outdoor Ethernet Cable Specifications

#### Electrical Requirements

Cable type	CAT-5e SFUTP, 4 pairs, according to ANSI/TIA/EIA-568-B-2
Wire gage	24 AWG
Stranding	Solid
Voltage rating	70V
Shielding	Braid + Foil



#### Mechanical/ Environmental Requirements

Jacket	PVC, double, UV resistant
Outer diameter	7-10 mm/0.28 – 0.39 inches
Operating and Storage temperature range	-40°C - 85°C/-40°F - 185°F
Flammability rating	According to UL-1581 VW1, IEC 60332-1
RoHS	According to Directive/2002/95/EC

### 8.21.2 Outdoor DC Cable Specifications

#### Electrical Requirements

Cable type	2 tinned copper wires
Wire gage	18 AWG (for ≤150m (492ft) installations, optical connections) 14 AWG (for 150m ÷ 300m (492ft ÷ 984ft) installations, electrical connections)
Stranding	stranded
Voltage rating	600V
Spark test	4KV
Dielectric strength	2KV AC min

#### Mechanical/ Environmental Requirements

Jacket	PVC, double, UV resistant
Outer diameter	7-10 mm/0.28 – 0.39 inches
Operating & Storage temperature range	-40°C - 85°C/-40°F - 185°F
Flammability rating	According to UL-1581 VW1, IEC 60332-1
RoHS	According to Directive/2002/95/EC

## 9. Appendix A – Marketing Model Construction

This appendix explains how to read marketing models for the IP-20E. Constructing a marketing model for the purpose of equipment order should always be done using a configurator.

**Note:** Not all fields are always necessary to define a valid marketing model. If a specific field is not applicable, it should be omitted.

### IP-20E-R2-DX0p-d-abc-a

Placeholder in Marketing Model	Description	Possible Values
p	TX power version	Blank for standard TX power H – High TX power
d	TX low / TX high indication	L – TX Low H – TX high
abc	Ethernet Ports Options. a- Port1, b-Port2, c-Port3	Port structure: E – Electrical S – SFP P – SFP+
a	Antenna type	43IA – 43 dBi integrated antenna 43IA-C3-E – ETSI Class 3 43 dBi integrated antenna Blank for external antenna

The following are some examples of specific IP-20E marketing models based on the syntax specified above.

*Table 41: IP-20E Marketing Model Examples*

Marketing Model Example	Explanation
IP-20E-R2-DX0H-L-ESS-43IA	IP-20E E-band AO R2 HP TL (TX 71-76G/RX 81-86G) ESS,43dBIA
IP-20E-R2-DX0H-H-ESS	IP-20E E-band AO R2 HP TH (TX 81-86G/RX 71-76G) ESS
IP-20E-R2-DX0H-H-ESP	IP-20E E-band AO R2 HP TH (TX 81-86G/RX 71-76G) 10GbE ESP
IP-20E-R2-DX0H-L-ESP-43IA-C3-E	IP-20E AO R2 HP TL 10GbE ESP,43dBIA C3 ETSI