

ASSEMBLY PROCEDURE FOR 15, 19, 24 dBi MICROWAVE ANTENNA

NOTE: IT IS RECOMMENDED THAT THE ASSEMBLY IS COMPLETED UP TO STEP 4 BEFORE CLIMBING TO THE MOUNT LOCATION

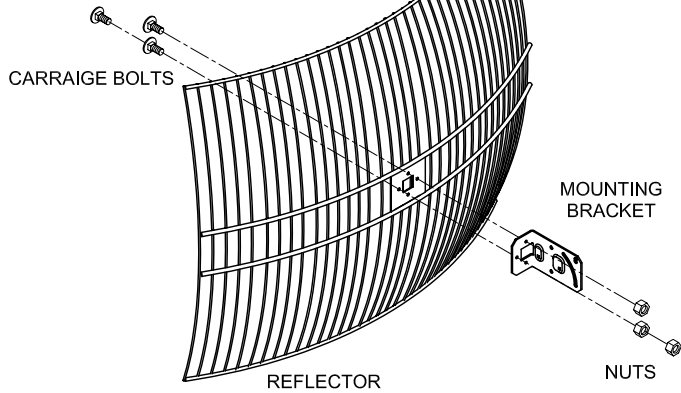
WARNING!! YOU CAN BE KILLED! DO NOT INSTALL NEAR POWER LINES. SERIOUS ELECTROCUTION HAZARD EXISTS.

1

ASSEMBLE THE REFLECTOR TO THE MOUNTING BRACKET IN THE REQUIRED POLARITY.

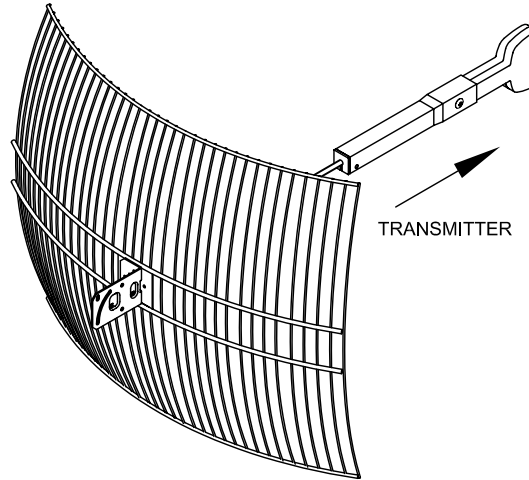
NOTE: THE MOUNTING BRACKET IS TO BE ORIENTED TO ALLOW THE ANTENNA TO BE TILTED TO LINE UP WITH THE TRANSMITTER. ENSURE THE BRACKET IS MOUNTED AS SHOWN.

VERTICAL
POLARITY



NOTE: WHEN ASSEMBLING THE DIPOLE AND THE REFLECTOR ASSEMBLY, ENSURE THEY ARE CORRECTLY ORIENTED AS PER THE DRAWINGS BELOW.

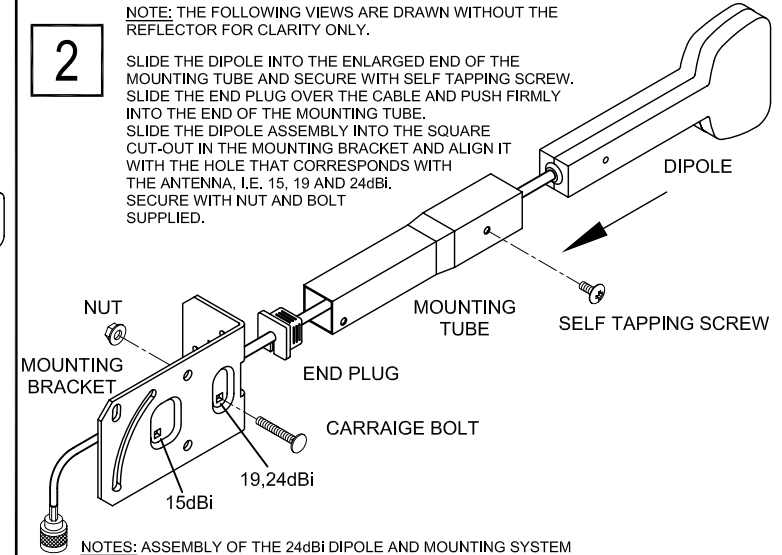
VERTICAL
POLARITY



2

NOTE: THE FOLLOWING VIEWS ARE DRAWN WITHOUT THE REFLECTOR FOR CLARITY ONLY.

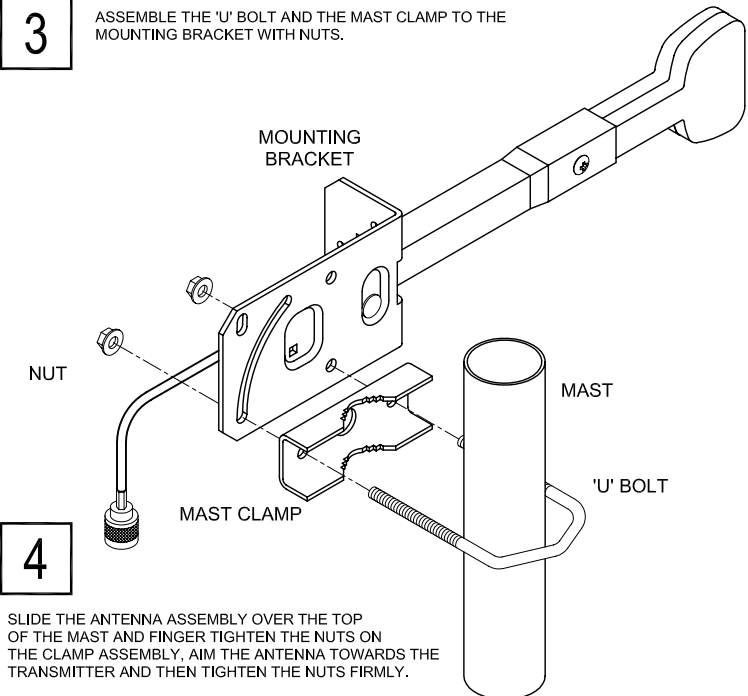
SLIDE THE DIPOLE INTO THE ENLARGED END OF THE MOUNTING TUBE AND SECURE WITH SELF TAPPING SCREW. SLIDE THE END PLUG OVER THE CABLE AND PUSH FIRMLY INTO THE END OF THE MOUNTING TUBE. SLIDE THE DIPOLE ASSEMBLY INTO THE SQUARE CUT-OUT IN THE MOUNTING BRACKET AND ALIGN IT WITH THE HOLE THAT CORRESPONDS WITH THE ANTENNA, I.E. 15, 19 AND 24dBi. SECURE WITH NUT AND BOLT SUPPLIED.



NOTES: ASSEMBLY OF THE 24dBi DIPOLE AND MOUNTING SYSTEM IS ON THE FINAL PAGE.
SLOT IN END PLUG MUST FACE DOWNWARDS.

3

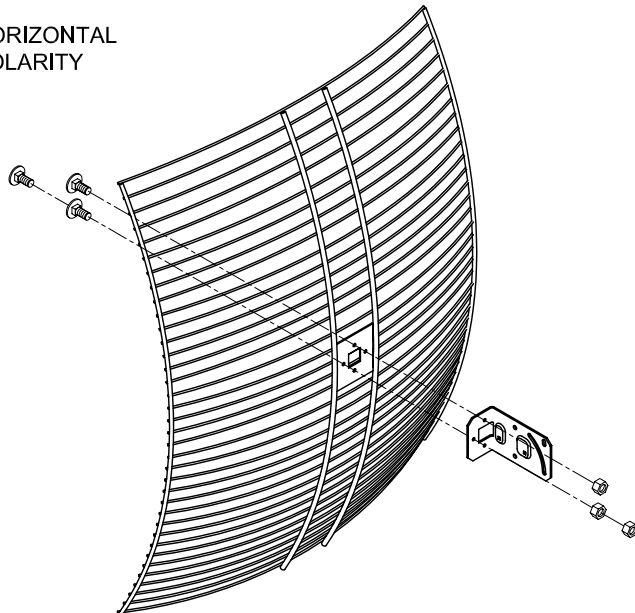
ASSEMBLE THE 'U' BOLT AND THE MAST CLAMP TO THE MOUNTING BRACKET WITH NUTS.



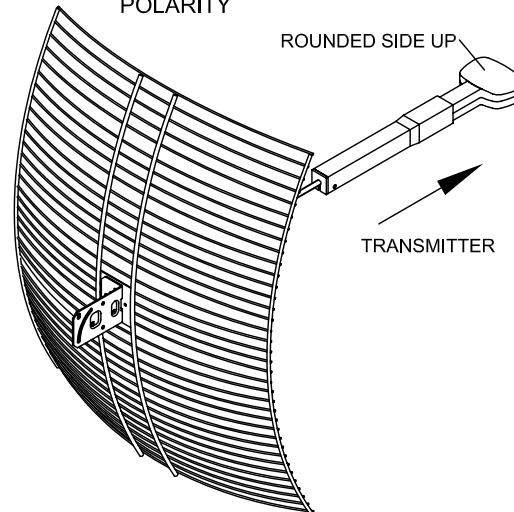
4

SLIDE THE ANTENNA ASSEMBLY OVER THE TOP OF THE MAST AND FINGER TIGHTEN THE NUTS ON THE CLAMP ASSEMBLY. AIM THE ANTENNA TOWARDS THE TRANSMITTER AND THEN TIGHTEN THE NUTS FIRMLY.

HORIZONTAL
POLARITY

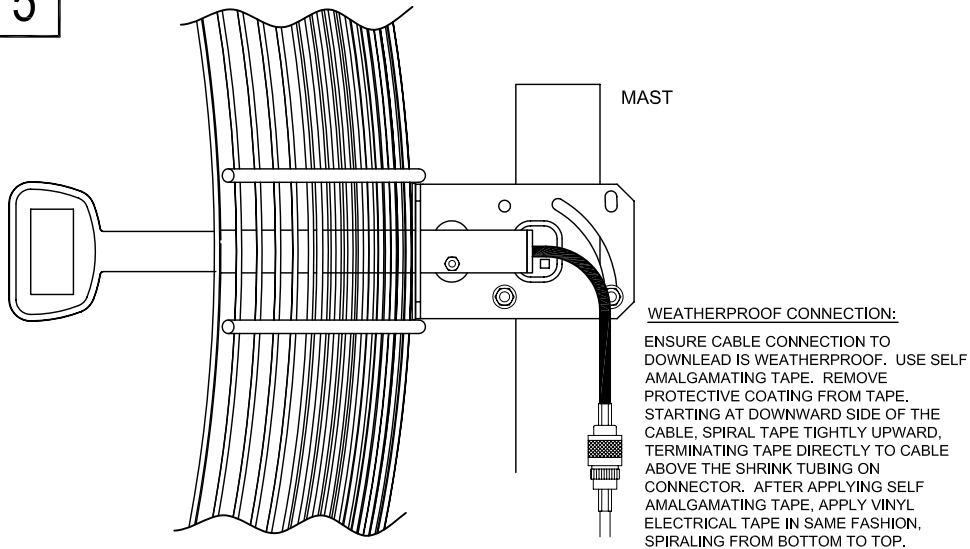


HORIZONTAL
POLARITY



5

CABLE LAYOUT

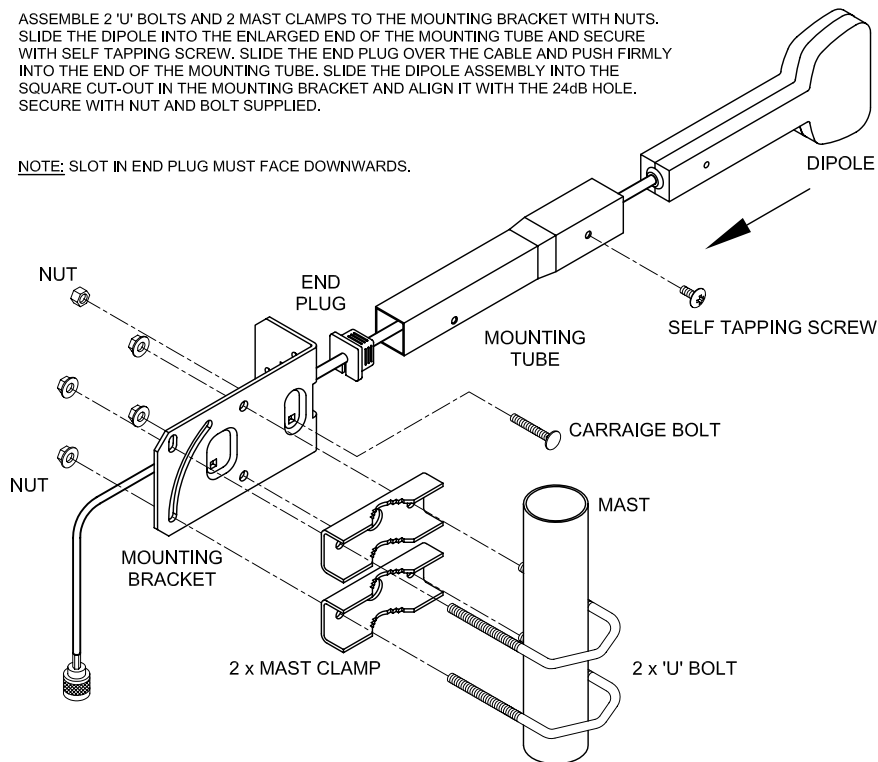


6

24dBi MOUNTING AND DIPOLE LAYOUT

ASSEMBLE 2 'U' BOLTS AND 2 MAST CLAMPS TO THE MOUNTING BRACKET WITH NUTS. SLIDE THE DIPOLE INTO THE ENLARGED END OF THE MOUNTING TUBE AND SECURE WITH SELF TAPPING SCREW. SLIDE THE END PLUG OVER THE CABLE AND PUSH FIRMLY INTO THE END OF THE MOUNTING TUBE. SLIDE THE DIPOLE ASSEMBLY INTO THE SQUARE CUT-OUT IN THE MOUNTING BRACKET AND ALIGN IT WITH THE 24dB HOLE. SECURE WITH NUT AND BOLT SUPPLIED.

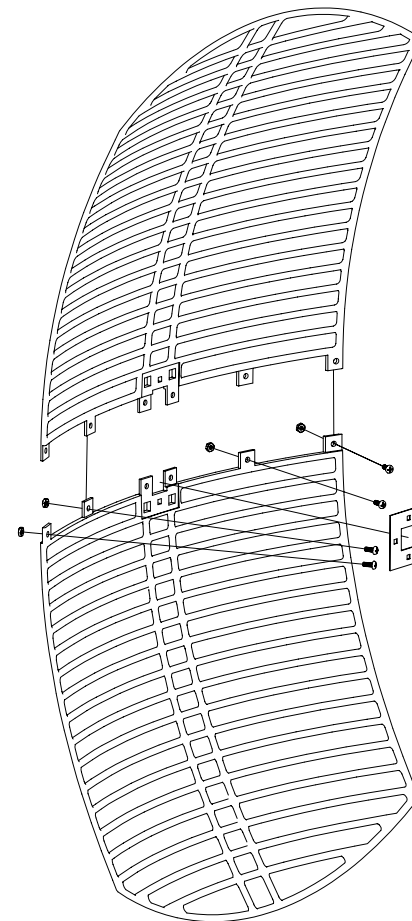
NOTE: SLOT IN END PLUG MUST FACE DOWNWARDS.



NOTES ON DIPOLE WITH INTEGRATED CONNECTOR

1. ASSEMBLY OF DIPOLE WITH INTEGRATED CONNECTOR IS VERY SIMILAR TO PIGTAIL VERSION.
2. FOR 15dBi AND 19dBi REFLECTORS, NO EXTERNAL EXTENSION TUBE IS REQUIRED. THE INTEGRATED DIPOLE HAS IT'S OWN BUILT IN EXTENSION TUBE. FOR 24dBi INSTALLATIONS THERE IS AN EXTRA EXTENSION TUBE SUPPLIED WHICH ATTACHES TO THE INTEGRATED DIPOLE WITH A SINGLE SCREW AND NUT.
3. NO END PLUG IS NEEDED FOR THE INTEGRATED DIPOLE.
4. THE INTEGRATED CONNECTOR SHOULD ALWAYS BE POINTING DOWN FOR HORIZONTAL POLARITY OR LEFT/RIGHT FOR VERTICAL POLARITY. THE CONNECTOR SHOULD NEVER BE POINTED UP.
5. THE CABLE IS ROUTED THROUGH THE REFLECTOR (NEAR THE CENTER) AND THEN ATTACHED TO THE DIPOLE INTEGRATED CONNECTOR.

PRE-ASSEMBLY FOR THE 24dBi DIECAST ANTENNA



1. COMBINE THE 2 REFLECTOR HALVES BY ALIGNING THE INTERLOCKING TABS.
2. INSERT THE FOUR (4) SCREWS AND TIGHTEN THE LOCK NUTS.
3. PLACE THE DIE CAST WASHER PLATE ON THE FRONT SIDE OF THE REFLECTOR AS THE BRACKET IS INSTALLED IN THE NEXT STEP. THE WASHER PLATE IS POSITIONED ON THE FRONT OF THE ANTENNA AND THE BRACKET IS POSITIONED ON THE BACK OF THE ANTENNA.