



**PDU 6P 10A 200-240V**

**Cloud Managed 1U 10A Smart PDU with 6 Metered Outlets**

**Overview**

The EnGenius Cloud Managed 1U 10A Smart PDU with 6 IEC-C13, PDU 6P 10A 200-240V (ECP106-INT) serves as a cloud-based power management solution for diverse applications. It facilitates remote and local control, efficient energy management, and advanced surge protection. Additionally, it offers unified management for all EnGenius devices, simplifying maintenance and troubleshooting by enabling power cycling of multiple devices.



**Features & Benefits**

**Function**

- Real-time power consumption monitoring and alarming per outlet
- Remote switching per outlet
- 1.3 inches display for visualizing power information
- Attempt to automatically reconnect from internet outages
- Local and cloud management with analytic reports

**Safety**

- 12A circuit breaker from overloading protection
- Fire proof MOV and grounded protection
- UL 62368-1, CE, RCM

**Integration**

- RESTFUL API supported
- SNMP v1 2c 3 supported

# Technical Specifications

## Input

<b>Nominal Voltage</b>	200-240V
<b>Frequency</b>	50/60Hz
<b>Derated Input Current</b>	10A
<b>Plug Type</b>	H05VV-F 3G
<b>Power Cord Type</b>	CEE 7-VII
<b>Power Cord Length</b>	1830mm
<b>LED indicators</b>	1 x Outlet Power Switch 2 x LAN 1 x Outlet Power Indicator 1 x Grounded Indicator 1 x SPD Indicator

## Output

<b>Nominal Voltage</b>	200-240V
<b>Frequency</b>	50/60Hz
<b>Derated Input Current</b>	10A
<b>Outlet Type</b>	IEC-C13
<b>Outlet Number</b>	6
<b>Overload Protection</b>	12A
<b>Maximum Power Consumption</b>	2400W for 240V

## Environmental & Physical

<b>Physical Interfaces</b>	2 x 10/100/1000 BASE-T IEC-C13 Inlet Reset Button 12A Circuit Breaker
<b>Operating Temperature</b>	Operating: 0°C ~ +45°C
<b>Storage Temperature</b>	Storage: -30°C ~ +70°C
<b>Storage Humidity</b>	Humidity 5% ~ 95% RH Non-condensing
<b>Surge Protection</b>	Yes
<b>ESD Protection</b>	Yes

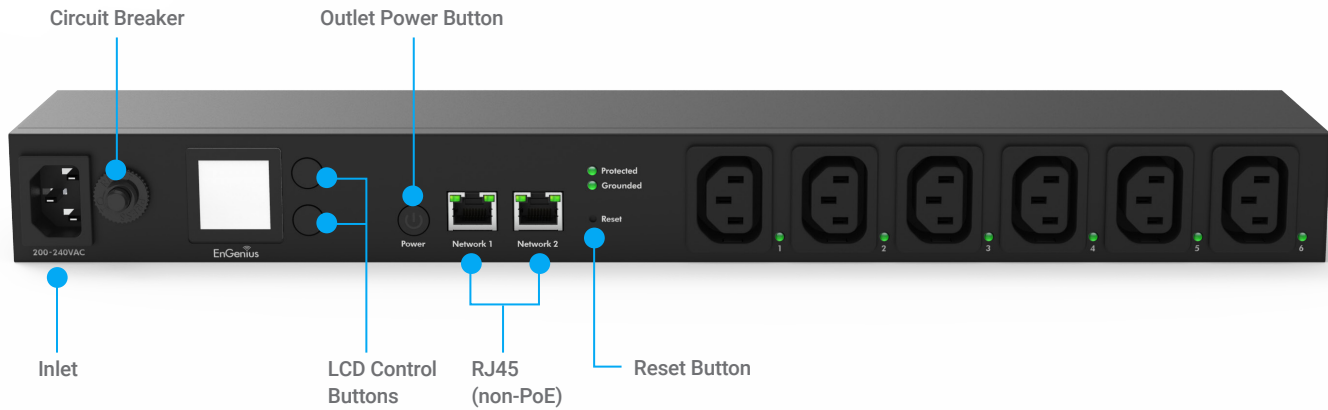
## Dimensions & Weight

<b>Weight</b>	1124 g
<b>Dimensions</b>	440 x 44 x 85 mm
<b>Enclosure material</b>	AL6063
<b>Package Contents</b>	1 – ECP106-INT PDU 1 – Inlet Power Cord 2 – C14 to C13 Plug Adapter 1 – Mounting Brackets 4 – Rubber Feet Cushion 8 – M3x5 Screws 4 – T4x19 Screws 4 – Spacer 1 – Drywall Anchor Kit

## Compliance & Warranty

<b>Safety Compliance</b>	UL 62368-1
<b>WEEE</b>	Yes
<b>RoHS</b>	Yes
<b>Regulatory Compliance</b>	CE RCM

## Hardware Overviews



### EnGenius Technologies | Costa Mesa, California, USA

Email: [support@engeniustech.com](mailto:support@engeniustech.com)  
Website: [www.engeniustech.com](http://www.engeniustech.com)  
Local contact: (+1) 714 432 8668

### EnGenius Networks Singapore Pte Ltd. | Singapore

Email: [techsupport@engeniustech.com.sg](mailto:techsupport@engeniustech.com.sg)  
Website: [www.engeniustech.com.sg](http://www.engeniustech.com.sg)  
Local contact: (+65) 6227 1088

### EnGenius Technologies Canada | Ontario, Canada

Email: [support@engeniustech.com](mailto:support@engeniustech.com)  
Website: [www.engeniustech.com](http://www.engeniustech.com)  
Local contact: (+1) 905 940 8181

### EnGenius Networks Dubai | Dubai, UAE

Email: [support@engeniustech.com](mailto:support@engeniustech.com)  
Website: [www.engeniustech.com](http://www.engeniustech.com)  
Local contact: (+971) 4 339 1227

### EnGenius Networks Europe B.V. | Eindhoven, Netherlands

Email: [support@engeniustech.com](mailto:support@engeniustech.com)  
Website: [www.engeniustech.com](http://www.engeniustech.com)  
Local contact: (+31) 40 8200 887

### 恩碩科技股份有限公司 | Taiwan, R.O.C.

Email: [sales@engeniustech.com.tw](mailto:sales@engeniustech.com.tw)  
Website: [www.engeniustech.com.tw](http://www.engeniustech.com.tw)  
Local contact: (+886) 933 250 628

Features and specifications subject to change without notice. Trademarks and registered trademarks are the property of their respective owners. These limits are designed to provide reasonable protection against harmful interference in a residential installation. This equipment generates, uses, and can radiate radio frequency energy and, if not installed and used in accordance with the instructions, may cause harmful interference to radio communications. Operation of this equipment in a residential area is likely to cause harmful interference in which case the user will be required to correct the interference at his/her own expense. Prior to installing any surveillance equipment, it is your responsibility to ensure the installation is in compliance with local, state and federal video and audio surveillance and privacy laws.

Version 1.0 03052024

EnGenius®